

4

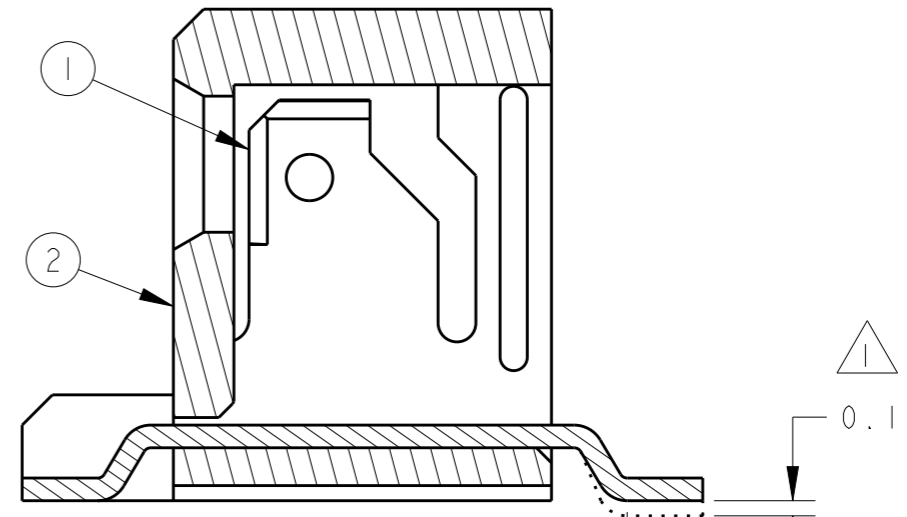
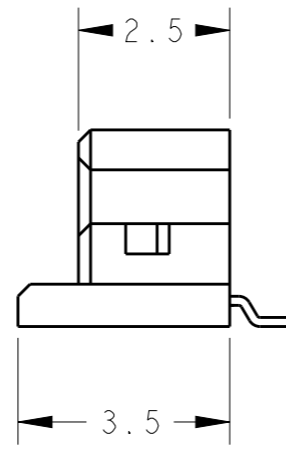
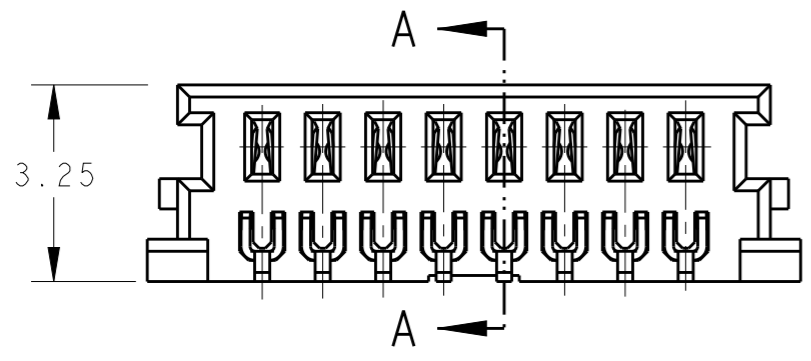
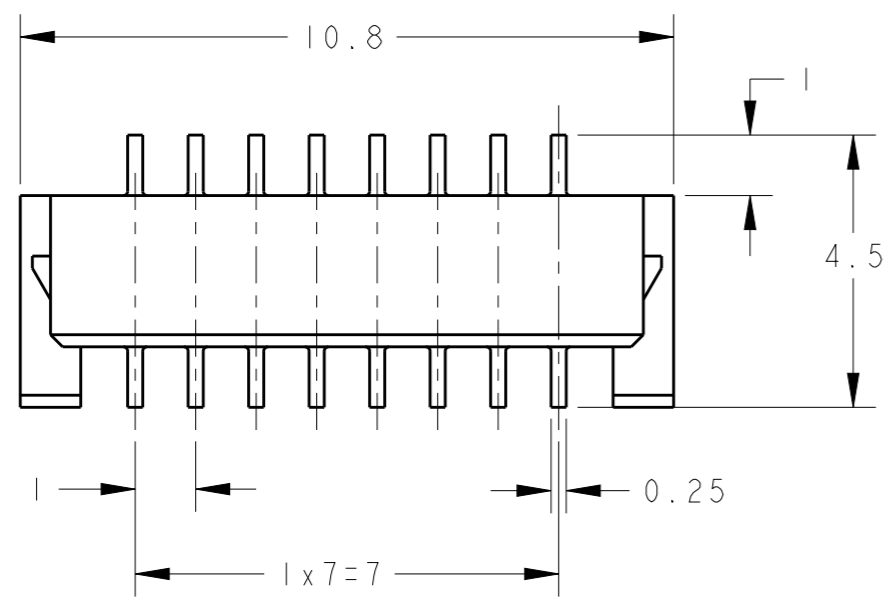
3

2

1

THIS DRAWING IS UNPUBLISHED. RELEASED FOR PUBLICATION 2003
 © COPYRIGHT 2003 BY - ALL RIGHTS RESERVED.

REVISIONS					
変更					
P	LTR	DESCRIPTION	DATE	DWN	APVD
0		RELEASED	FJD0-0147-03	09MAY2003	Y.K S.M
A		REVISED	FJD0-0334-03	30SEP2003	Y.K S.M
B		REVISED		29JUL2011	H.U N.Y
C		REVISED, ECR-16-015703		06DEC2016	Y.O N.Y



A - A
SCALE 20:1

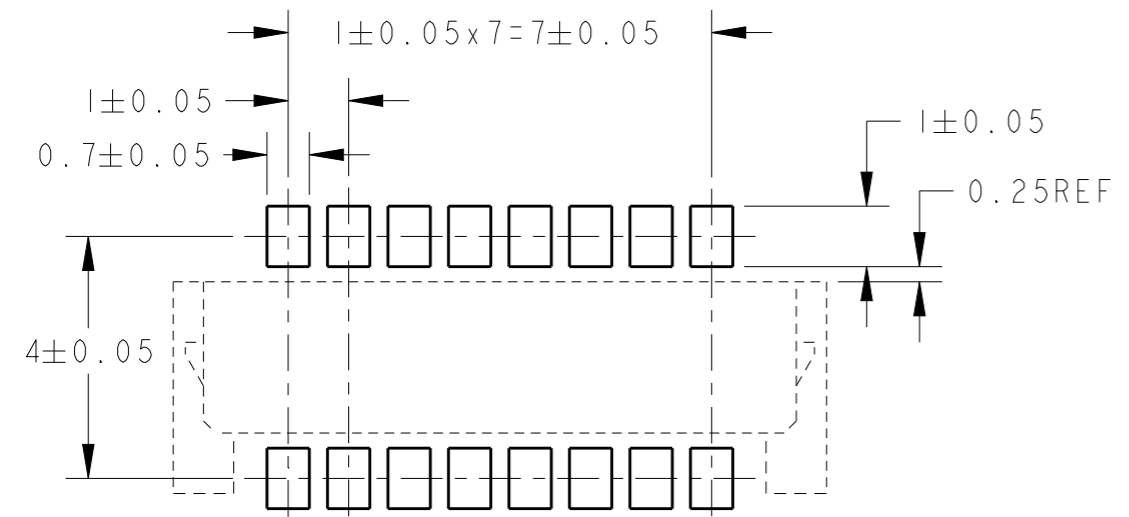
注記
△ タインフラット部のあばれ許容値

NOTE
△ FLATNESS OF TINE SOLDER SURFACE

POLYAMIDE 9T, 94V-0 (BLACK)	HDR HSG (8P)	2
Phoshor Bronze, FINISH UNDER Ni 1.27μm MIN, SURFACE Au 0.2μm MIN	REC CONTACT	1
MATERIAL AND FINISH	NAME	ITEM NO.
PARTS LIST		

1674000-2
PART NUMBER

THIS DRAWING IS A CONTROLLED DOCUMENT.		DWN Y. KATO 09MAY2003	TE Connectivity	
DIMENSIONS: 単位: 概 mm		CHK S. MANABE 09MAY2003		
TOLERANCES UNLESS OTHERWISE SPECIFIED: 一般公差 ±0.25		APVD S. MANABE 09MAY2003	NAME 名称 HDR ASSY	
0 PLC ±		PRODUCT SPEC 製品規格 108-5865	mini VP 1.0mm W to B CONN.	
1 PLC ±0.5		APPLICATION SPEC 取付適用規格 -	SIZE A3	CAGE CODE 00779
2 PLC ±0.13		WEIGHT -	DRAWING NO. 番号 C-1674000	RESTRICTED TO -
3 PLC ±0.013		CUSTOMER DRAWING	SCALE 尺度 8:1	SHEET 1 OF 1
4 PLC ±0.000J ±3				REV C
ANGLES ±3				
MATERIAL 材料 SEE TABLE	FINISH 仕上 SEE TABLE			



推奨基板寸法
RECOMMENDED P.C.BOARD DIM.

X-ON Electronics

Largest Supplier of Electrical and Electronic Components

Click to view similar products for [Headers & Wire Housings](#) category:

Click to view products by [TE Connectivity](#) manufacturer:

Other Similar products are found below :

[95000-104TRLF](#) [10135584-644402LF](#) [DF62W-EP2022PCA](#) [95000-106TRLF](#) [DF62W-2022SCA](#) [DF62W-EP2022PC](#) [2203348](#) [DF62W-2022SC](#) [1084018](#) [1029039](#) [1084017](#) [802-10-012-10-002000](#) [1112640](#) [1112639](#) [000-34000](#) [0009482033](#) [0009507031](#) [57102-S06-03LF](#) [57202-S52-04LF](#) [PCN6-15S-2.5E](#) [0039019024](#) [58102-G61-06LF](#) [582553-1](#) [0009485154](#) [0009508121](#) [0022285053](#) [0050291907](#) [018731A](#) [LY20-4P-DT1-P1E-BR](#) [02.125.8002.8](#) [60101931](#) [60598-1 \(Cut Strip\)](#) [M1625-3R/100](#) [61062-3](#) [61082-181009](#) [636-1427](#) [638009-1](#) [641938-9](#) [641991-4](#) [644168-1](#) [647662-1](#) [65039-019ELF](#) [65781-047](#) [65817-002LF](#) [65817-015LF](#) [65863-015LF](#) [66207-023LF](#) [67016-026LF](#) [67046-001LF](#) [67095-007LF](#)