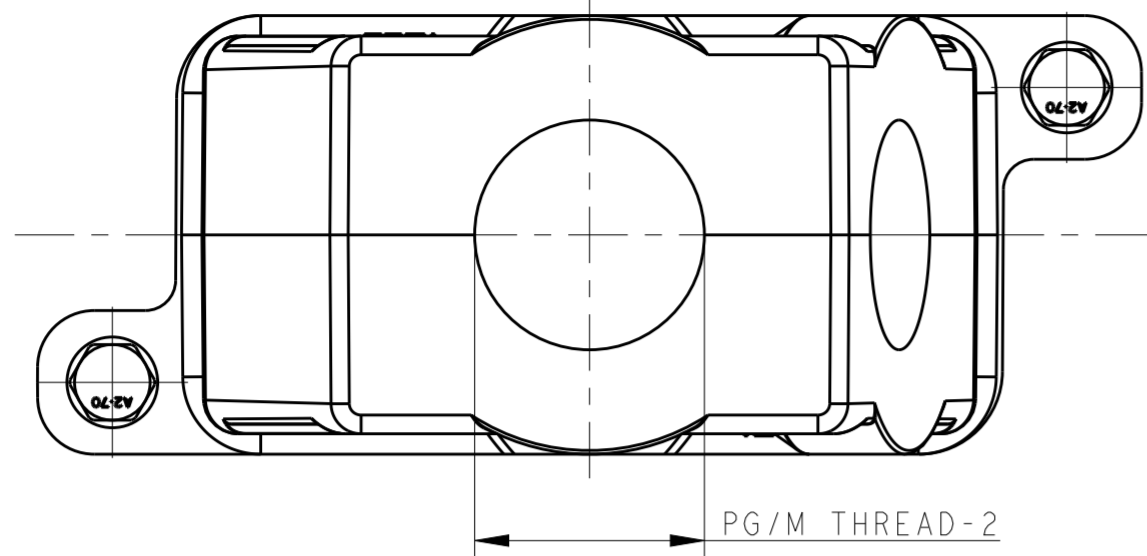


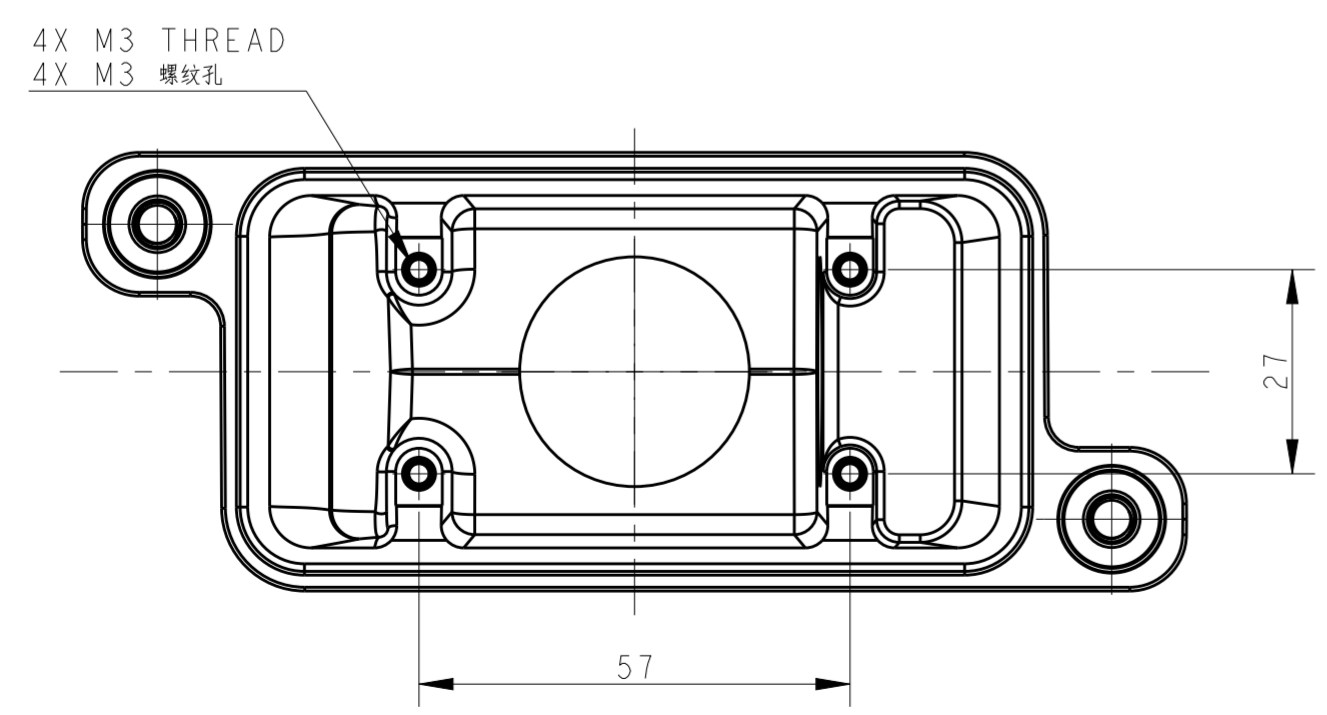
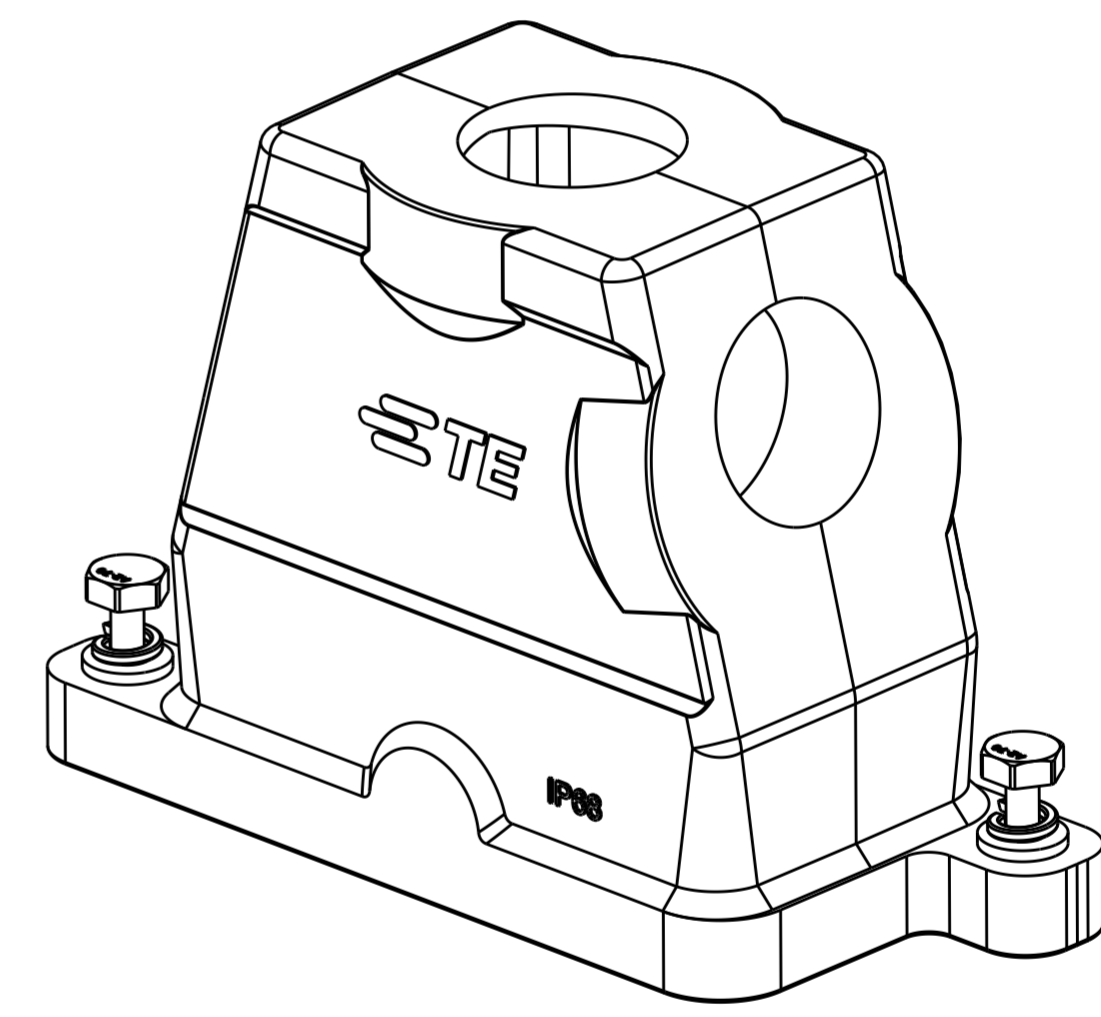
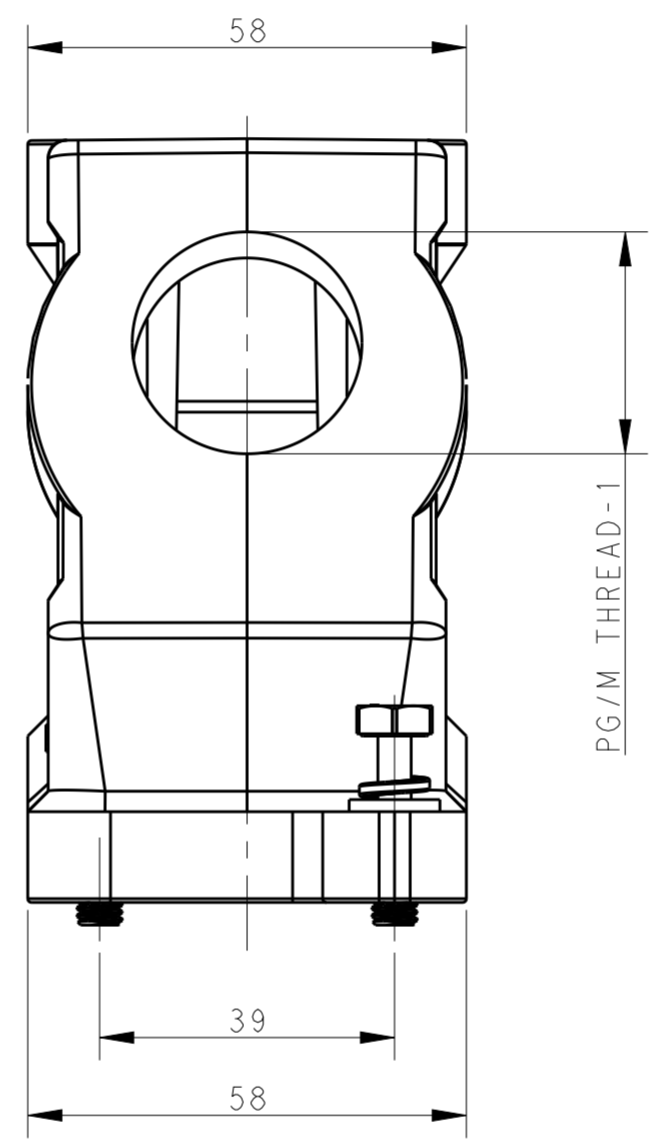
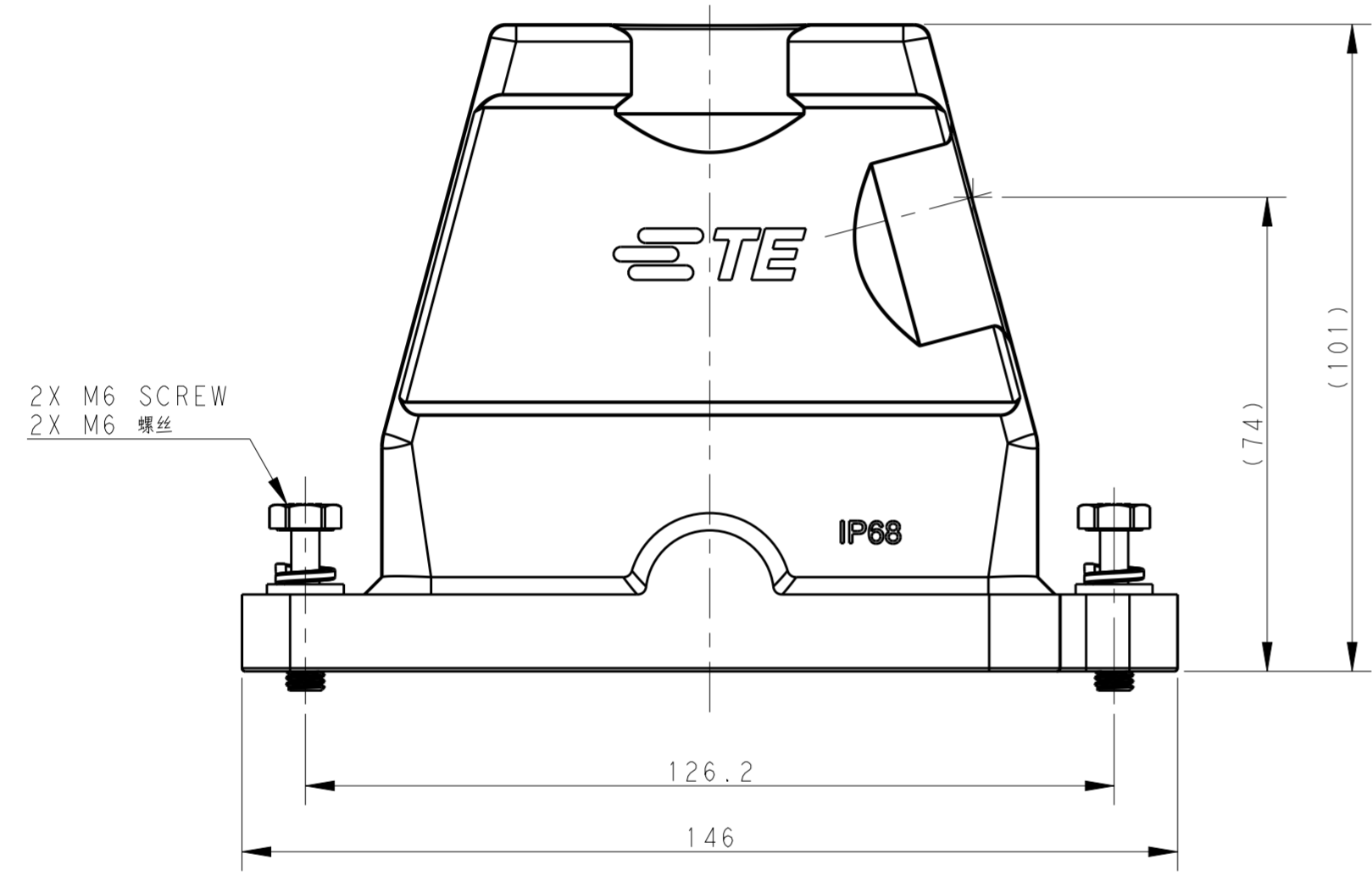
THIS DRAWING IS UNPUBLISHED. RELEASED FOR PUBLICATION 20
 © COPYRIGHT 20 BY - ALL RIGHTS RESERVED.

REVISIONS				
P	LTR	DESCRIPTION	DATE	APVD
A		INITIAL RELEASE	20SEP2016	DW CW



NOTES:
 1. TECHNICAL CHARACTERISTICS:
 HOOD MATERIAL: DIE CAST ALUMINIUM ALLOY
 SURFACE: SEE TABLE
 DEGREE OF PROTECTION: IP68 (MATED)

注释:
 1. 技术参数:
 壳体材料: 铝合金
 表面处理: 见表格
 防护等级: IP68 (配合)



T1900102232-009	H10BPR-TS/GH-2M32-EMC-C	H10BPR HOOD,DIAGONAL LOCKING LOCKING,SIDE/TOP ENTRY 2M32 POWDER COATED, GREY H10BPR对角锁定侧顶出上壳2M32 灰色	M32	M32
T1900100232-009	H10BPR-TS/GH-2M32-EMC-C	H10BPR HOOD,DIAGONAL LOCKING LOCKING,SIDE/TOP ENTRY 2M32 POWDER COATED, BLACK H10BPR对角锁定侧顶出上壳2M32 黑色	M32	M32
PART NUMBER 料号	PART DESCRIPTION 描述		PG/M THREAD-2 PG/M 螺纹-2	PG/M THREAD-1 PG/M 螺纹-1

THIS DRAWING IS A CONTROLLED DOCUMENT.		DWN 20SEP2016 DAVID WANG	STE TE Connectivity	
		CHK 20SEP2016 CHRIS WANG		
		APVD 20SEP2016 XIANG XU	NAME H10BPR-TS/GH-PG/M-EMC-C	
DIMENSIONS: mm		TOLERANCES UNLESS OTHERWISE SPECIFIED: 0 PLC ± 1 PLC ± 2 PLC ± 3 PLC ± 4 PLC ± ANGLES ± FINISH	PRODUCT SPEC 108-137191	SIZE A2
MATERIAL -			APPLICATION SPEC 114-137191	CAGE CODE -
			WEIGHT -	DRAWING NO G-T190010XXXXX09
			Customer Drawing	RESTRICTED TO -
			SCALE 1:1	SHEET 1 OF 1 REV A

X-ON Electronics

Largest Supplier of Electrical and Electronic Components

Click to view similar products for [Heavy Duty Power Connectors](#) category:

Click to view products by [TE Connectivity](#) manufacturer:

Other Similar products are found below :

[1424439](#) [1424438](#) [09330062652](#) [2-8675P1](#) [605601-1](#) [6340G1](#) [6341G1](#) [6360G1](#) [6373G1](#) [6374g2](#) [6396G1](#) [647757-1](#) [66394-4](#) [6643411-1](#)
[6646058-2](#) [6646137-1](#) [6646138-1](#) [6646348-1](#) [6646479-1](#) [6646608-1](#) [6646786-1](#) [6646940-1](#) [6651091-1](#) [6651525-1](#) [6651529-1](#) [6651778-1](#)
[6651788-1](#) [696465-1](#) [696475-1](#) [73000005059](#) [73000005349](#) [73000005642](#) [73080255059](#) [73080965046](#) [765-15-0080A](#) [765-16-0080B](#)
[789.700-44](#) [789.700-54](#) [80-1010](#) [80-9](#) [827381-1](#) [829992-1](#) [902-77-02113](#) [PL00U-301-10D10](#) [PM103MOOLOO](#) [PM16S1620S32-50](#)
[PM212MOOLOO](#) [PM309FOOLOO](#) [PM324FOOLCH](#) [PMHPAF11S03](#)