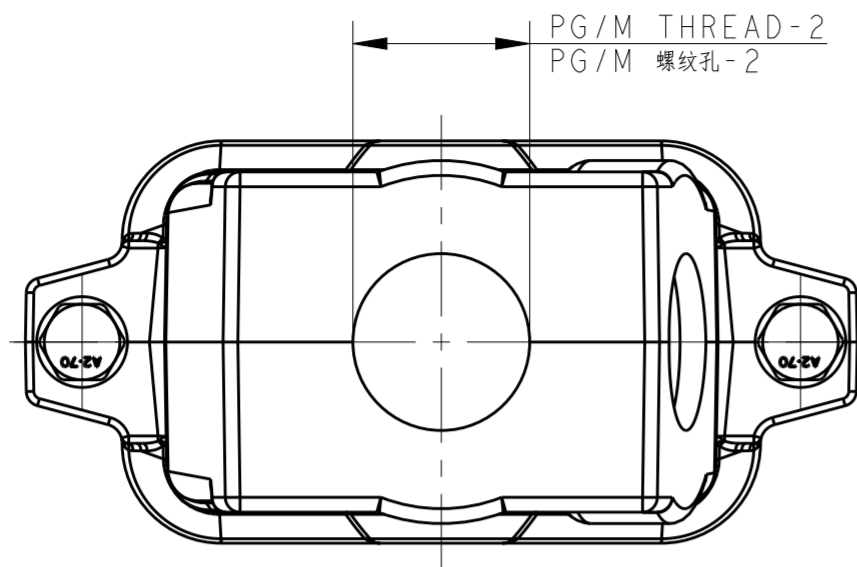


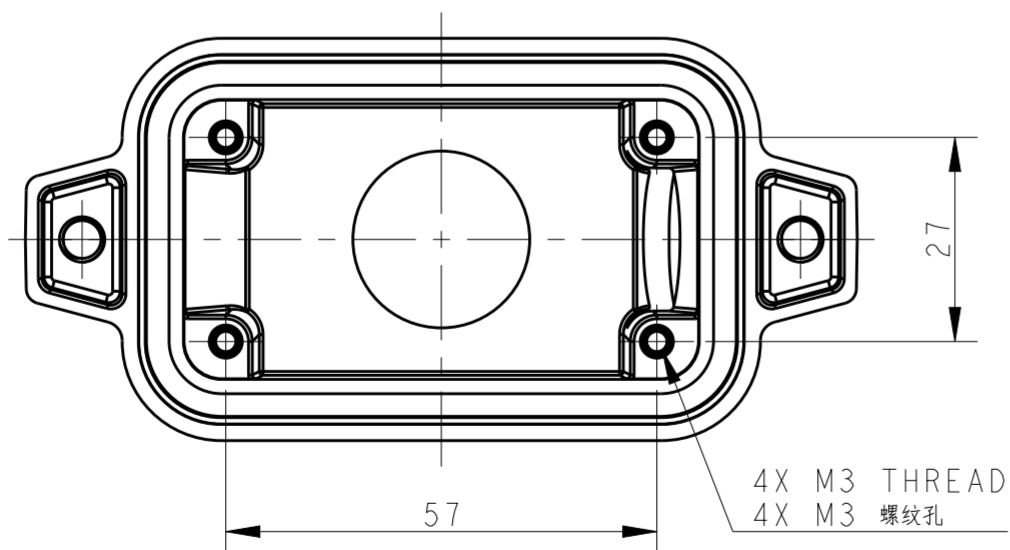
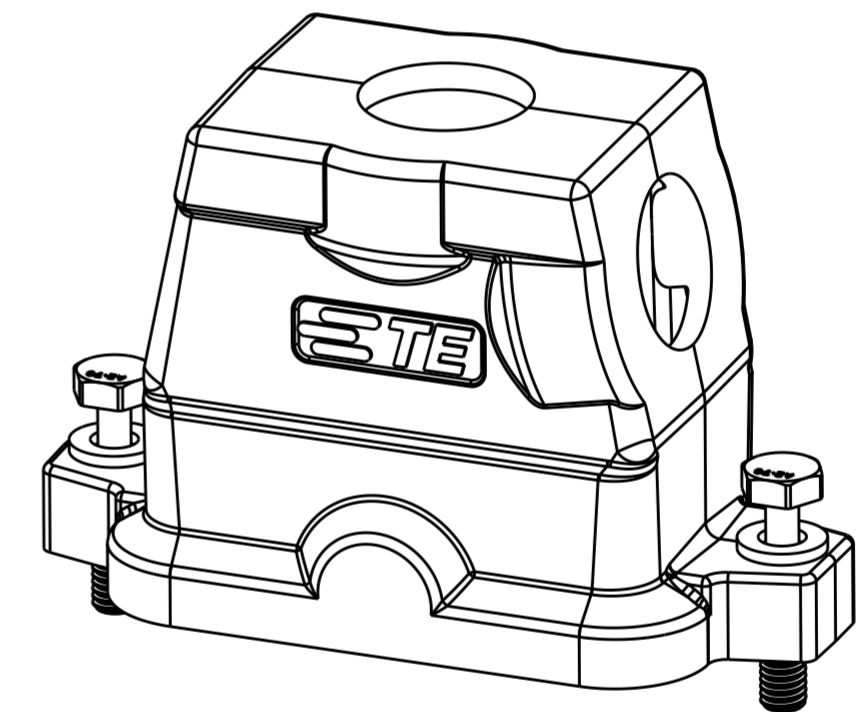
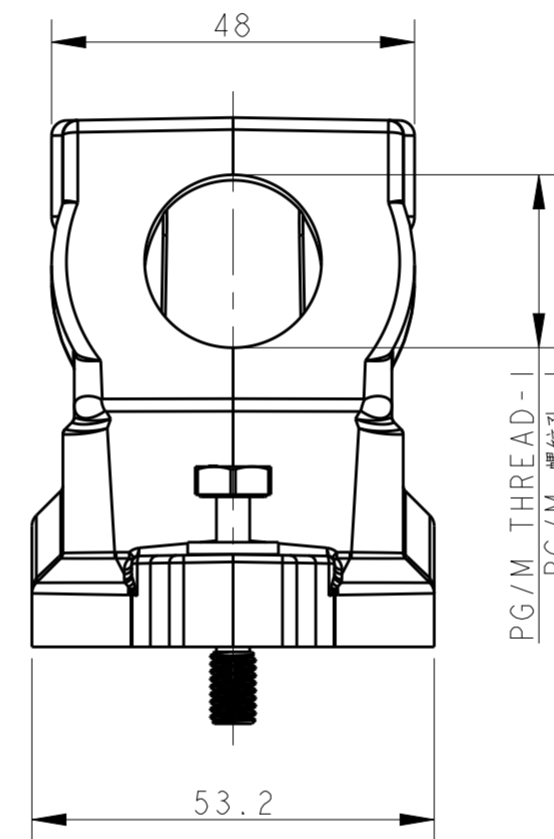
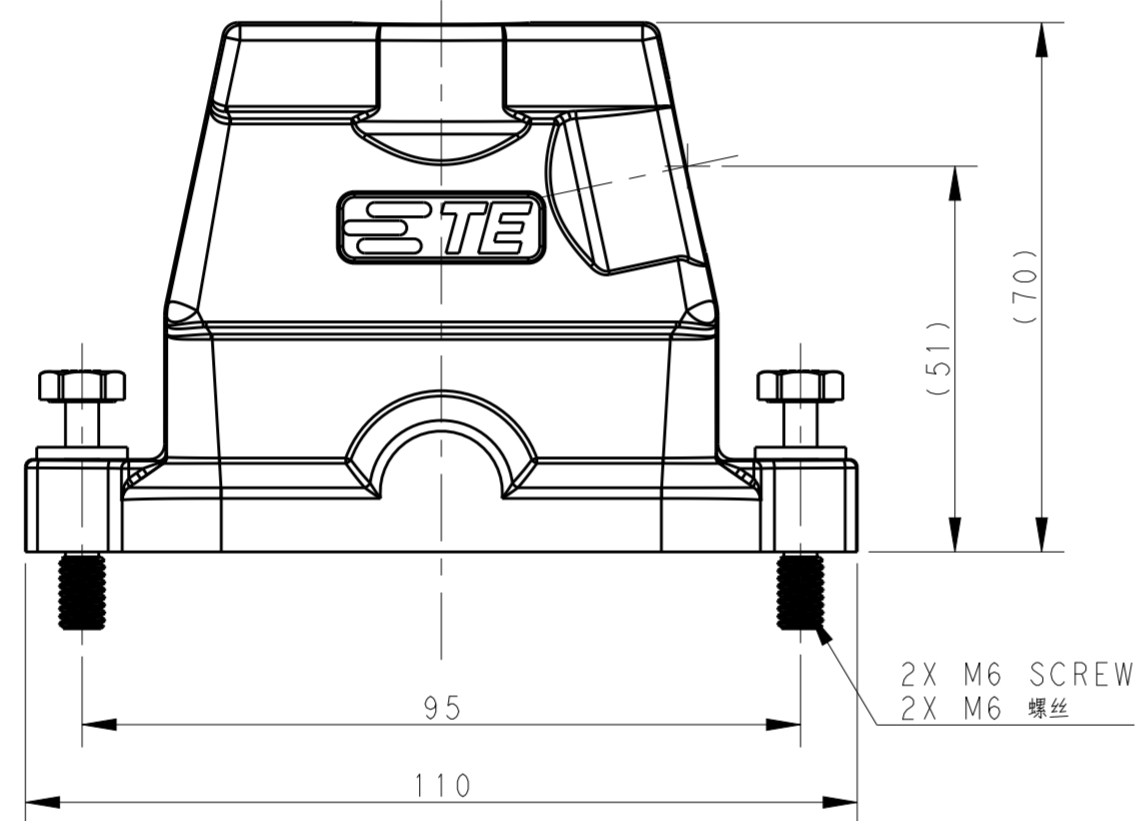
THIS DRAWING IS UNPUBLISHED. RELEASED FOR PUBLICATION 20
 © COPYRIGHT 20 BY - ALL RIGHTS RESERVED.

REVISIONS				
P	LTR	DESCRIPTION	DATE	APVD
A		INITIAL RELEASE	14OCT2016	DW CW



NOTES:
 1. TECHNICAL CHARACTERISTICS:
 HOOD MATERIAL: DIE CAST ALUMINIUM ALLOY
 SURFACE: SEE TABLE
 DEGREE OF PROTECTION: IP68 (MATED)

注释:
 1. 技术参数:
 壳体材料: 铝合金
 表面处理: 见表格
 防护等级: IP68 (配合)




THIS DRAWING IS A CONTROLLED DOCUMENT.		DWN 14OCT2016 DAVID WANG	STE TE Connectivity	
		CHK 14OCT2016 CHRIS WANG		
DIMENSIONS:		APVD 14OCT2016 XIANG XU	NAME H10BPR-TS/GHC-PG/M-EMC-C	
TOLERANCES UNLESS OTHERWISE SPECIFIED:		PRODUCT SPEC	SIZE CAGE CODE DRAWING NO RESTRICTED TO	
mm	0 PLC ± 1 PLC ± 2 PLC ± 3 PLC ± 4 PLC ± ANGLES ± FINISH	108-137191 114-137191	A2	-
MATERIAL	-	WEIGHT -	SCALE 1:1 SHEET 1 OF 2 REV A	
		Customer Drawing	G-T190210XXXX009	

THIS DRAWING IS UNPUBLISHED. RELEASED FOR PUBLICATION 20
 © COPYRIGHT 20 BY - ALL RIGHTS RESERVED.

REVISIONS				
P	LTR	DESCRIPTION	DATE	APVD
-		SEE SHEET 1	-	-

NOTES:
SEE SHEET 1

T1902102232-009	H10BPR-TS/GHC-2M32-EMC-C	H10BPR HOOD,CENTER LOCKING, SIDE/TOP ENTRY 2M32, POWDER COATED, GREY H10BPR中部锁定侧顶出上壳2M32 灰色	M32	M32
T1902102229-009	H10BPR-TS/GHC-2PG29-EMC-C	H10BPR HOOD,CENTER LOCKING, SIDE/TOP ENTRY 2PG29, POWDER COATED, GREY H10BPR中部锁定侧顶出上壳2PG29 灰色	PG29	PG29
T1902102225-009	H10BPR-TS/GHC-2M25-EMC-C	H10BPR HOOD,CENTER LOCKING, SIDE/TOP ENTRY 2M25, POWDER COATED, GREY H10BPR中部锁定侧顶出上壳2M25 灰色	M25	M25
T1902101232-009	H10BPR-TS/GHC-2M32-EMC-C	H10BPR HOOD,CENTER LOCKING, SIDE/TOP ENTRY 2M32, POWDER COATED, SILVER WHITE H10BPR中部锁定侧顶出上壳2M32 银白色	M32	M32
T1902101229-009	H10BPR-TS/GHC-2PG29-EMC-C	H10BPR HOOD,CENTER LOCKING, SIDE/TOP ENTRY 2PG29, POWDER COATED, SILVER WHITE H10BPR中部锁定侧顶出上壳2PG29 银白色	PG29	PG29
T1902101225-009	H10BPR-TS/GHC-2M25-EMC-C	H10BPR HOOD,CENTER LOCKING, SIDE/TOP ENTRY 2M25, POWDER COATED, SILVER WHITE H10BPR中部锁定侧顶出上壳2M25 银白色	M25	M25
T1902100232-009	H10BPR-TS/GHC-2M32-EMC-C	H10BPR HOOD,CENTER LOCKING, SIDE/TOP ENTRY 2M32, POWDER COATED, BLACK H10BPR中部锁定侧顶出上壳2M32 黑色	M32	M32
T1902100229-009	H10BPR-TS/GHC-2PG29-EMC-C	H10BPR HOOD,CENTER LOCKING, SIDE/TOP ENTRY 2PG29, POWDER COATED, BLACK H10BPR中部锁定侧顶出上壳2PG29 黑色	PG29	PG29
T1902100225-009	H10BPR-TS/GHC-2M25-EMC-C	H10BPR HOOD,CENTER LOCKING, SIDE/TOP ENTRY 2M25, POWDER COATED, BLACK H10BPR中部锁定侧顶出上壳2M25 黑色	M25	M25
PART NUMBER 料号		DESCRIPTION 描述	PG/M THREAD-2 PG/M 螺纹-2	PG/M THREAD-1 PG/M 螺纹-1

THIS DRAWING IS A CONTROLLED DOCUMENT.		DWN DAVID WANG 14OCT2016	 TE Connectivity	
		CHK CHRIS WANG 14OCT2016		
		APVD XIANG XU 14OCT2016	NAME H10BPR-TS/GHC-PG/M-EMC-C	
DIMENSIONS: mm		PRODUCT SPEC 108-137191	RESTRICTED TO	
TOLERANCES UNLESS OTHERWISE SPECIFIED:		APPLICATION SPEC 114-137191	SIZE A2	
0 PLC ±-		WEIGHT -	CAGE CODE -	
1 PLC ±-		DRAWING NO. C-T190210XXXX009		
2 PLC ±-		SCALE 1:1		
3 PLC ±-		SHEET 2 OF 2		
4 PLC ±-		REV A		
ANGLES ±-		Customer Drawing		
FINISH -				

X-ON Electronics

Largest Supplier of Electrical and Electronic Components

Click to view similar products for [Heavy Duty Power Connectors](#) category:

Click to view products by [TE Connectivity](#) manufacturer:

Other Similar products are found below :

[1424439](#) [1424438](#) [09330062652](#) [2-8675P1](#) [605601-1](#) [6340G1](#) [6341G1](#) [6360G1](#) [6373G1](#) [6374g2](#) [6396G1](#) [647757-1](#) [66394-4](#) [6643411-1](#)
[6646058-2](#) [6646137-1](#) [6646138-1](#) [6646348-1](#) [6646479-1](#) [6646608-1](#) [6646786-1](#) [6646940-1](#) [6651091-1](#) [6651525-1](#) [6651529-1](#) [6651778-1](#)
[6651788-1](#) [696465-1](#) [696475-1](#) [73000005059](#) [73000005349](#) [73000005642](#) [73080255059](#) [73080965046](#) [765-15-0080A](#) [765-16-0080B](#)
[789.700-44](#) [789.700-54](#) [80-1010](#) [80-9](#) [827381-1](#) [829992-1](#) [902-77-02113](#) [PL00U-301-10D10](#) [PM103MOOLOO](#) [PM16S1620S32-50](#)
[PM212MOOLOO](#) [PM309FOOLOO](#) [PM324FOOLCH](#) [PMHPAF11S03](#)