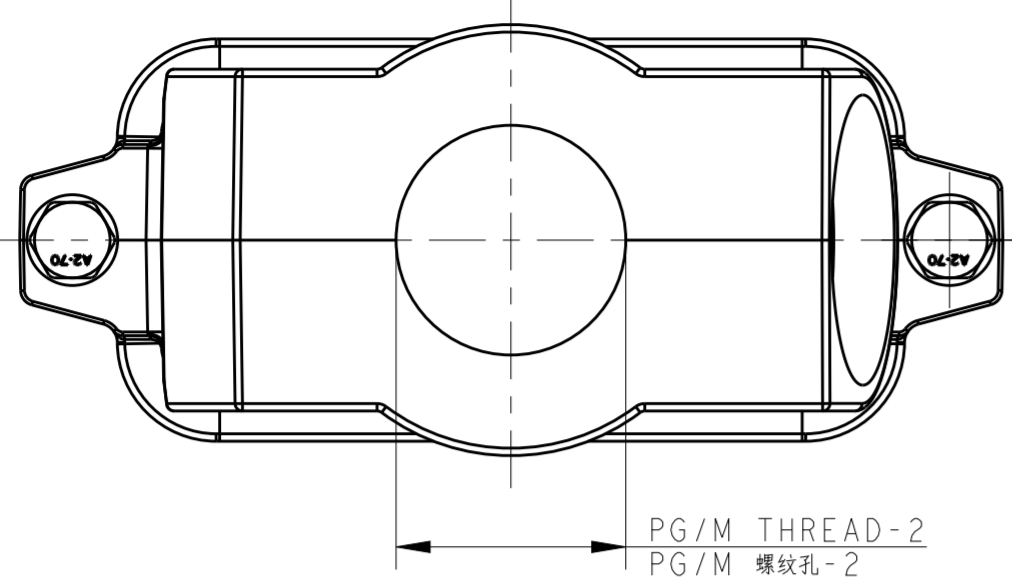


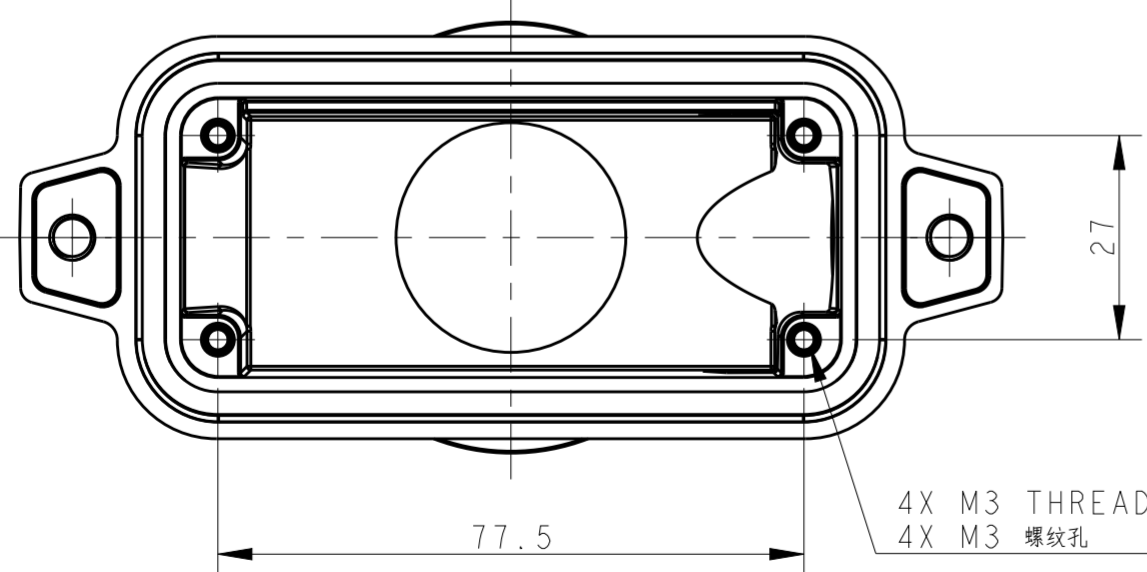
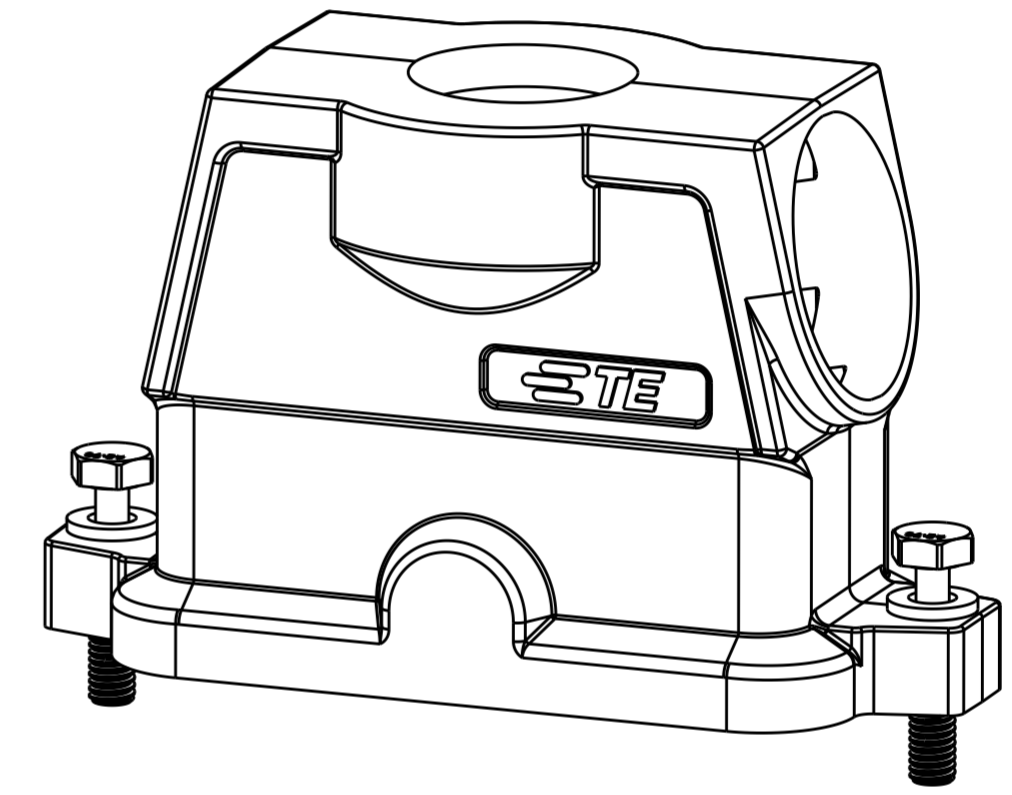
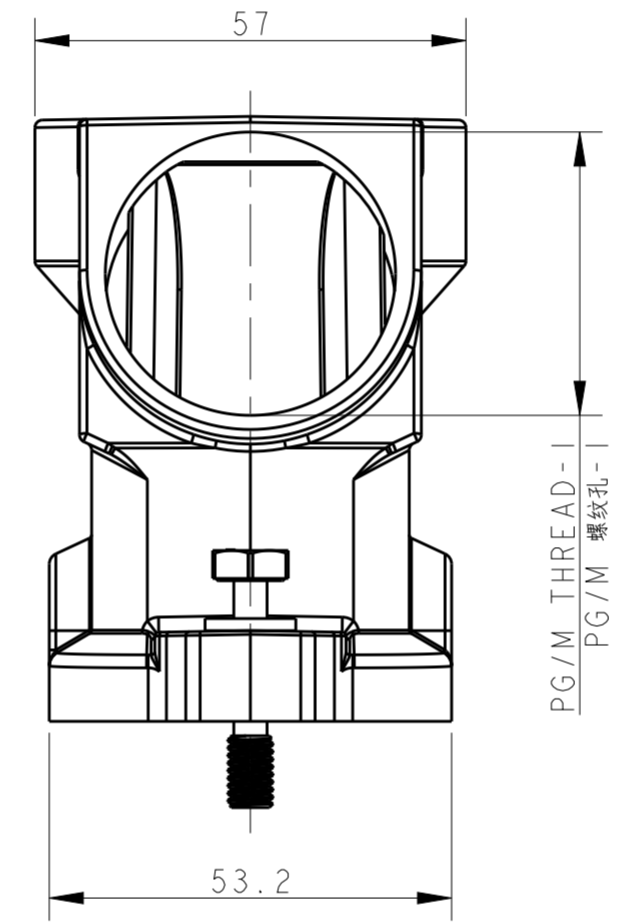
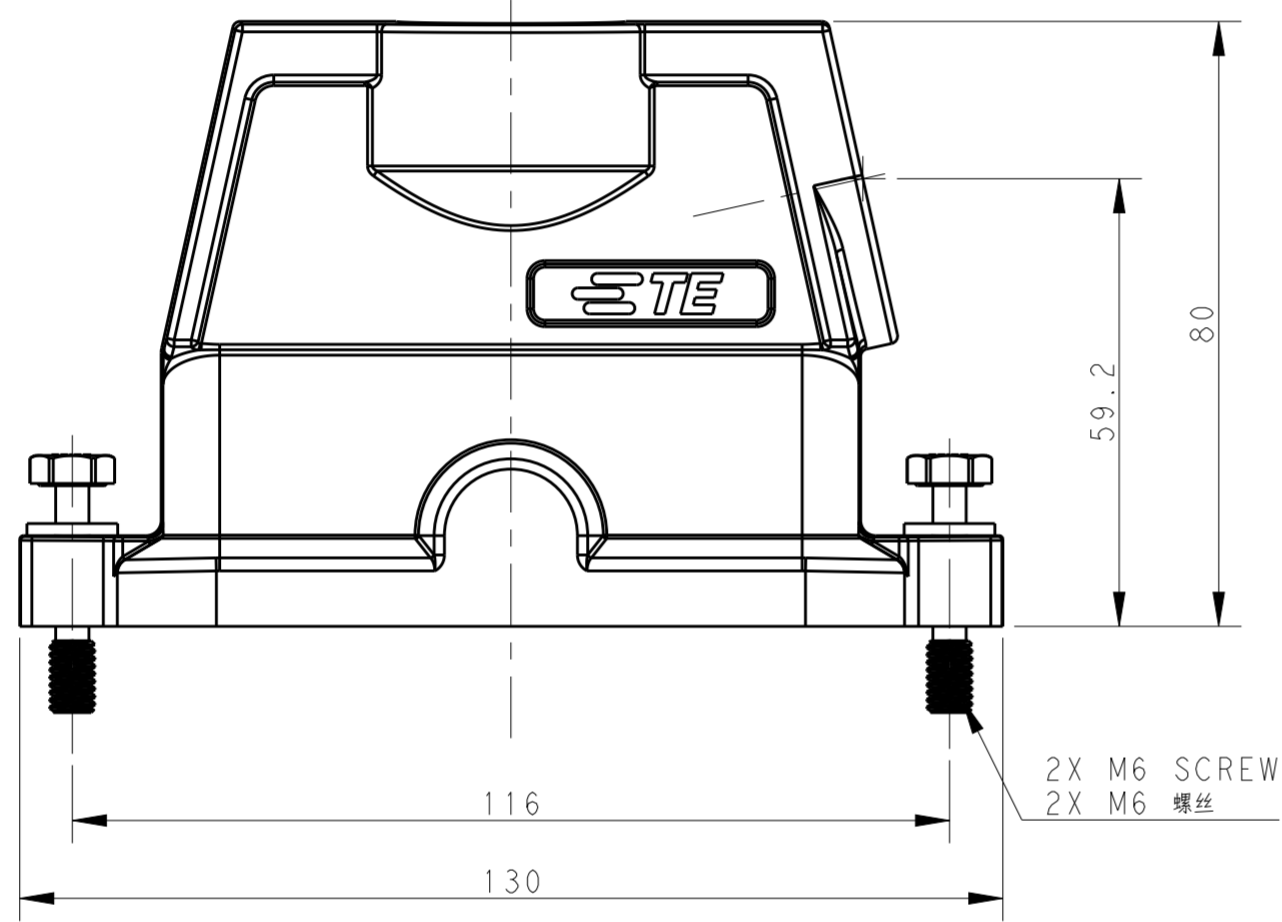
THIS DRAWING IS UNPUBLISHED. RELEASED FOR PUBLICATION 20  
 © COPYRIGHT 20 BY - ALL RIGHTS RESERVED.

REVISIONS				
P	LTR	DESCRIPTION	DATE	APVD
A		INITIAL RELEASE	08OCT2016	DW CW



NOTES:  
 1. TECHNICAL CHARACTERISTICS:  
 HOOD MATERIAL: DIE CAST ALUMINIUM ALLOY  
 SURFACE: SEE TABLE  
 DEGREE OF PROTECTION: IP68 (MATED)

注释:  
 1. 技术参数:  
 壳体材料: 铝合金  
 表面处理: 见表格  
 防护等级: IP68 (配合)



PART NUMBER 料号	PART DESCRIPTION 描述	PG/M THREAD-2 PG/M 螺纹孔-2	PG/M THREAD-1 PG/M 螺纹孔-1
T1902164020-009	H16BPR-TG/SHC-M20/M40-EMC-C H16BPR HOOD, CENTER LOCKING, TOP ENTRY M20, SIDE ENTRY M40, POWDER COATED, SILVER WHITE H16BPR中部锁定顶出M20侧出M40上壳, 银白色粉末喷涂	M20	M40
T1902164025-009	H16BPR-TG/SHC-M40/M25-EMC-C H16BPR HOOD, CENTER LOCKING, TOP ENTRY M40, SIDE ENTRY M25, POWDER COATED, SILVER WHITE H16BPR中部锁定顶出M40侧出M25上壳, 银白色粉末喷涂	M40	M25
T1902163240-009	H16BPR-TG/SHC-M32/M40-EMC-C H16BPR HOOD, CENTER LOCKING, TOP ENTRY M32, SIDE ENTRY M40, POWDER COATED, SILVER WHITE H16BPR中部锁定顶出M32侧出M40上壳, 银白色粉末喷涂	M32	M40
T1902164020-109	H16BPR-TG/SHC-M20/M40-EMC-C H16BPR HOOD, CENTER LOCKING, TOP ENTRY M20, SIDE ENTRY M40, POWDER COATED, BLACK H16BPR中部锁定顶出M20侧出M40上壳, 黑色粉末喷涂	M20	M40
T1902164025-109	H16BPR-TG/SHC-M40/M25-EMC-C H16BPR HOOD, CENTER LOCKING, TOP ENTRY M40, SIDE ENTRY M25, POWDER COATED, BLACK H16BPR中部锁定顶出M40侧出M25上壳, 黑色粉末喷涂	M40	M25
T1902163240-109	H16BPR-TG/SHC-M32/M40-EMC-C H16BPR HOOD, CENTER LOCKING, TOP ENTRY M32, SIDE ENTRY M40, POWDER COATED, BLACK H16BPR中部锁定顶出M32侧出M40上壳, 黑色粉末喷涂	M32	M40

THIS DRAWING IS A CONTROLLED DOCUMENT.

DWN DAVID WANG 08OCT2016  
 CHK CHRIS WANG 08OCT2016  
 APVD XIANG XU 08OCT2016

DAVID WANG  
CHRIS WANG  
XIANG XU

PRODUCT SPEC 108-137191  
 APPLICATION SPEC 114-137191

TE Connectivity

NAME H16BPR-TG/SHC-PG/M-EMC-C

SIZE A2 CAGE CODE - DRAWING NO. G-T190216XXXXX09 RESTRICTED TO -

Customer Drawing SCALE 1:1 SHEET 1 OF 1 REV A

## X-ON Electronics

Largest Supplier of Electrical and Electronic Components

*Click to view similar products for [Heavy Duty Power Connectors](#) category:*

*Click to view products by [TE Connectivity](#) manufacturer:*

Other Similar products are found below :

[1424439](#) [1424438](#) [09330062652](#) [2-8675P1](#) [605601-1](#) [6340G1](#) [6341G1](#) [6360G1](#) [6373G1](#) [6374g2](#) [6396G1](#) [647757-1](#) [66394-4](#) [6643411-1](#)  
[6646058-2](#) [6646137-1](#) [6646138-1](#) [6646348-1](#) [6646479-1](#) [6646608-1](#) [6646786-1](#) [6646940-1](#) [6651091-1](#) [6651525-1](#) [6651529-1](#) [6651778-1](#)  
[6651788-1](#) [696465-1](#) [696475-1](#) [73000005059](#) [73000005349](#) [73000005642](#) [73080255059](#) [73080965046](#) [765-15-0080A](#) [765-16-0080B](#)  
[789.700-44](#) [789.700-54](#) [80-1010](#) [80-9](#) [827381-1](#) [829992-1](#) [902-77-02113](#) [PL00U-301-10D10](#) [PM103MOOLOO](#) [PM16S1620S32-50](#)  
[PM212MOOLOO](#) [PM309FOOLOO](#) [PM324FOOLCH](#) [PMHPAF11S03](#)