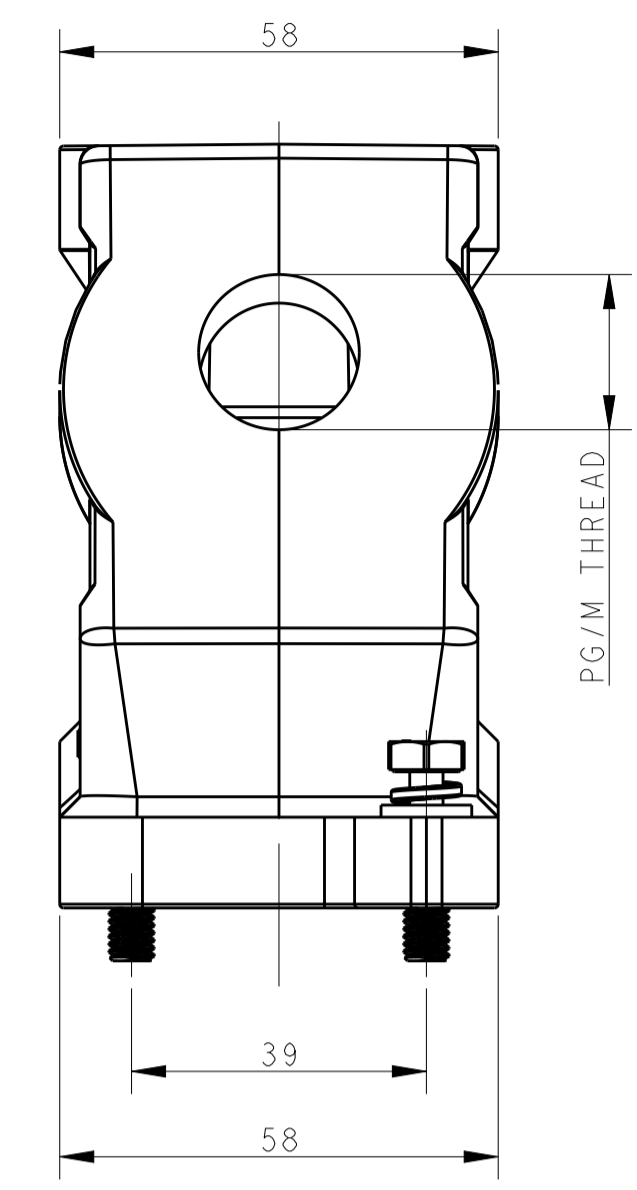
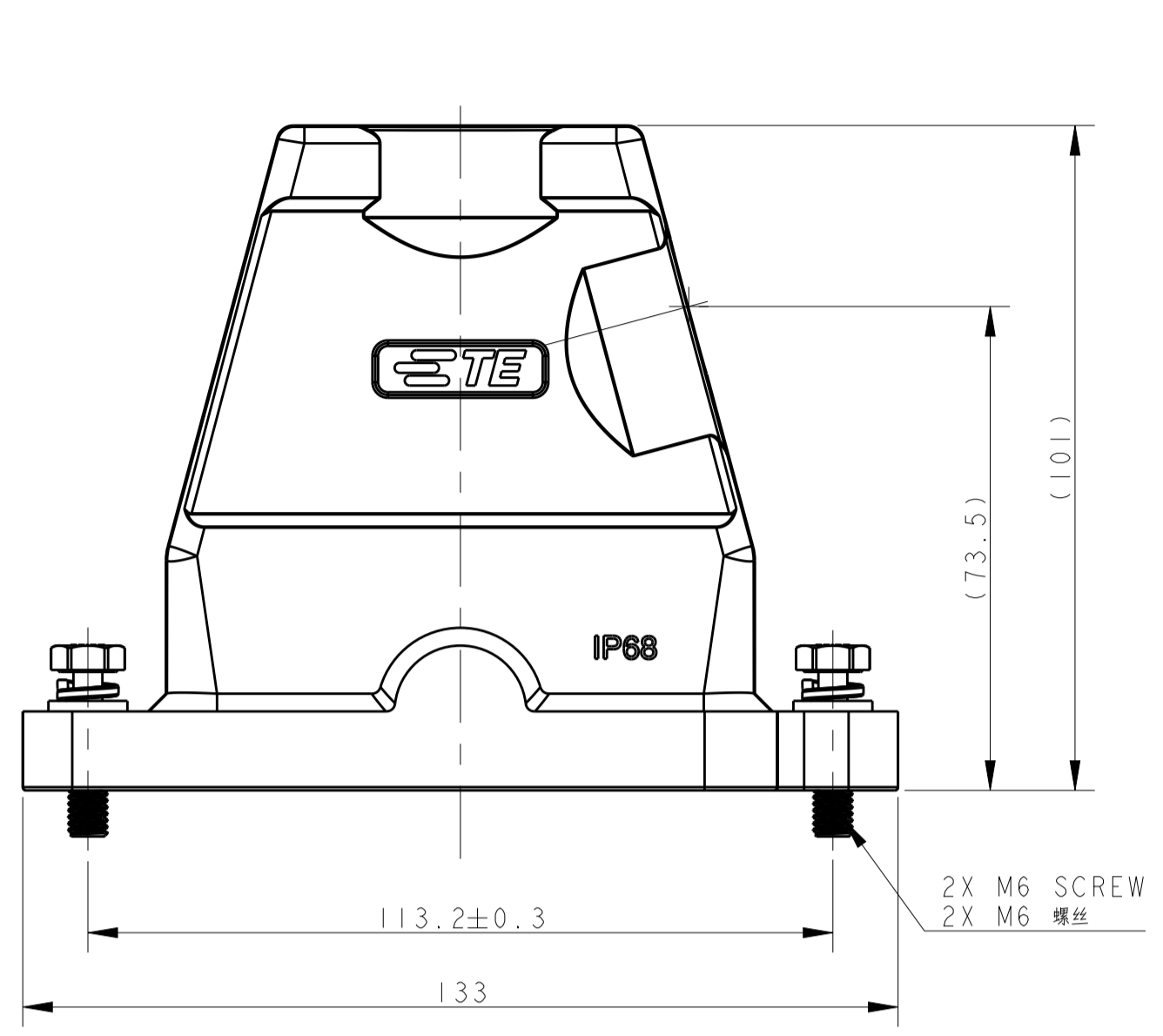
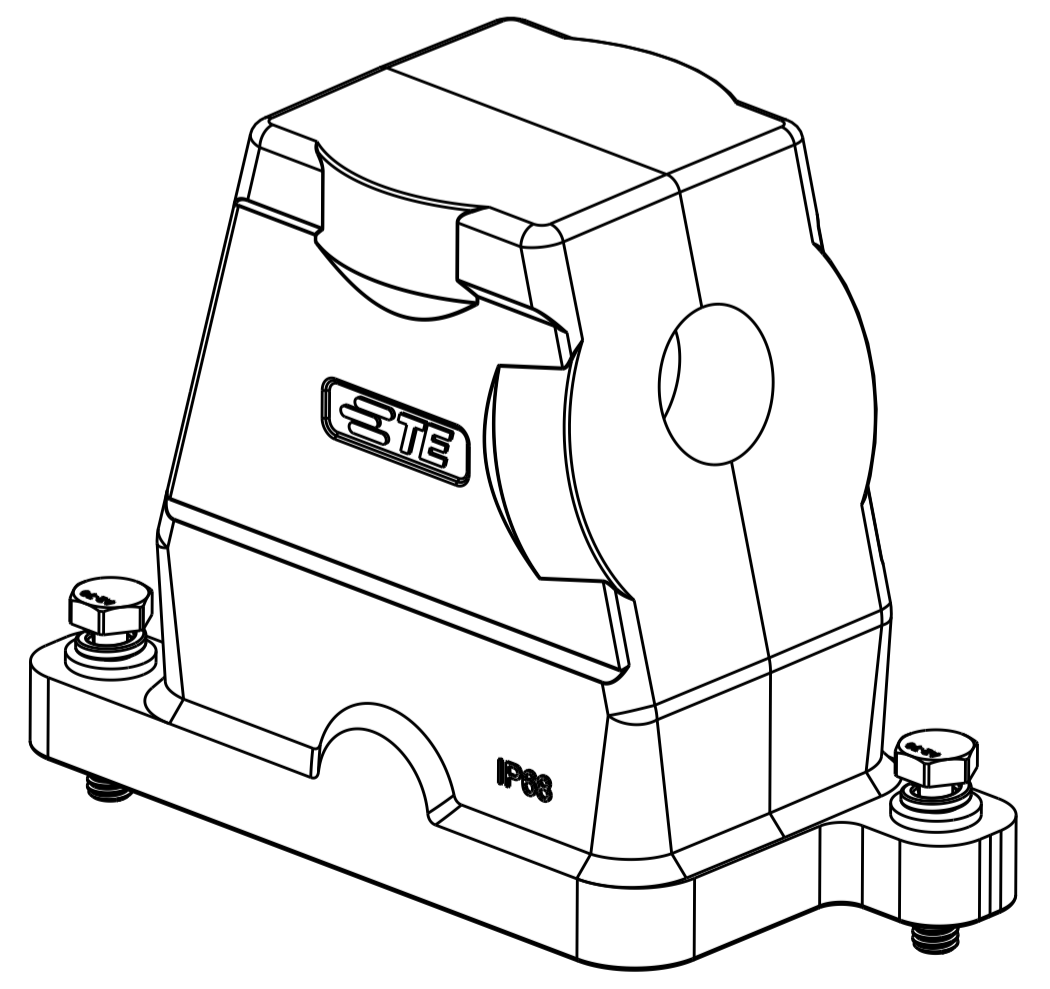
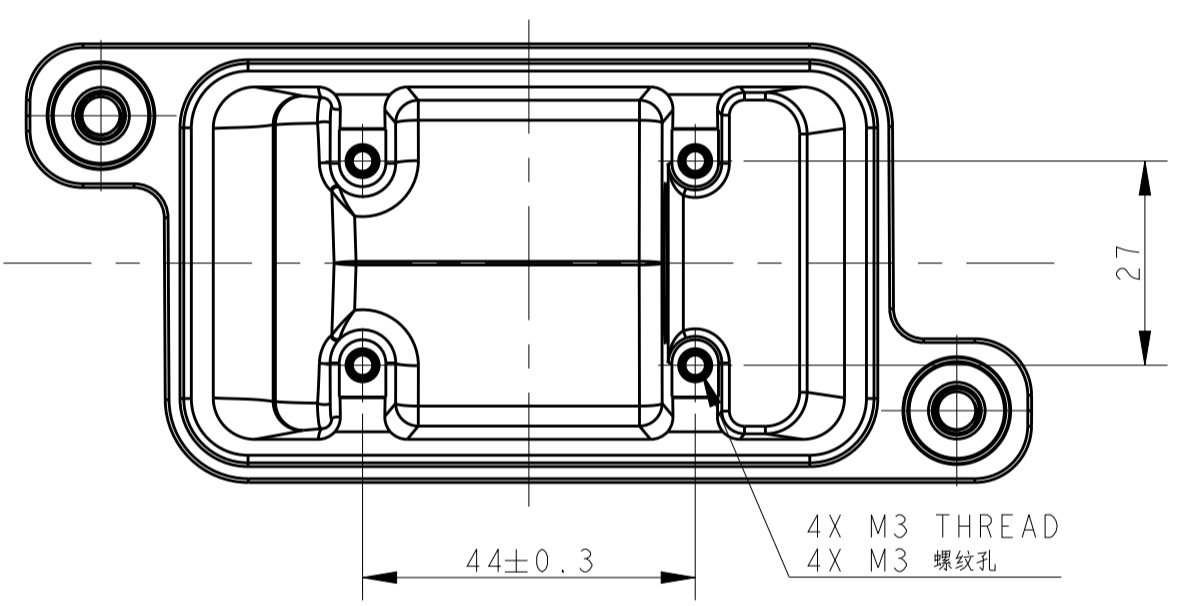


REVISIONS				
REV	LTN	DESCRIPTION	DATE	APPV
A		INITIAL RELEASE	24SEP2016	DW CW



NOTES:
 1. TECHNICAL CHARACTERISTICS:
 HOOD MATERIAL: DIE CAST ALUMINIUM ALLOY
 SURFACE: SEE TABLE
 DEGREE OF PROTECTION: IP68 (MATED)

注释:
 1. 技术参数:
 壳体材料: 铝合金
 表面处理: 见表格
 防护等级: IP68 (配合)



PART NUMBER	料号	DESCRIPTION	描述	PG/M THREAD	螺纹
T1910062140-009	H6BPR-TSH-M40-EMC-C	H6BPR HOOD, DIAGONAL LOCKING, SIDE ENTRY M40, POWDER COATED, GREY	H6BPR对角锁定侧出壳M40 灰色	M40	
T1910062132-009	H6BPR-TSH-M32-EMC-C	H6BPR HOOD, DIAGONAL LOCKING, SIDE ENTRY M32, POWDER COATED, GREY	H6BPR对角锁定侧出壳M32 灰色	M32	
T1910062129-009	H6BPR-TSH-PG29-EMC-C	H6BPR HOOD, DIAGONAL LOCKING, SIDE ENTRY PG29, POWDER COATED, GREY	H6BPR对角锁定侧出壳PG29 灰色	PG29	
T1910062125-009	H6BPR-TSH-M25-EMC-C	H6BPR HOOD, DIAGONAL LOCKING, SIDE ENTRY M25, POWDER COATED, GREY	H6BPR对角锁定侧出壳M25 灰色	M25	
T1910062121-009	H6BPR-TSH-PG21-EMC-C	H6BPR HOOD, DIAGONAL LOCKING, SIDE ENTRY PG21, POWDER COATED, GREY	H6BPR对角锁定侧出壳PG21 灰色	PG21	
T1910062120-009	H6BPR-TSH-M20-EMC-C	H6BPR HOOD, DIAGONAL LOCKING, SIDE ENTRY M20, POWDER COATED, GREY	H6BPR对角锁定侧出壳M20 灰色	M20	
T1910062116-009	H6BPR-TSH-PG16-EMC-C	H6BPR HOOD, DIAGONAL LOCKING, SIDE ENTRY PG16, POWDER COATED, GREY	H6BPR对角锁定侧出壳PG16 灰色	PG16	
T1910061140-009	H6BPR-TSH-M40-EMC-C	H6BPR HOOD, DIAGONAL LOCKING, SIDE ENTRY M40, POWDER COATED, SILVER WHITE	H6BPR对角锁定侧出壳M40 银白色	M40	
T1910061132-009	H6BPR-TSH-M32-EMC-C	H6BPR HOOD, DIAGONAL LOCKING, SIDE ENTRY M32, POWDER COATED, SILVER WHITE	H6BPR对角锁定侧出壳M32 银白色	M32	
T1910061129-009	H6BPR-TSH-PG29-EMC-C	H6BPR HOOD, DIAGONAL LOCKING, SIDE ENTRY PG29, POWDER COATED, SILVER WHITE	H6BPR对角锁定侧出壳PG29 银白色	PG29	
T1910061125-009	H6BPR-TSH-M25-EMC-C	H6BPR HOOD, DIAGONAL LOCKING, SIDE ENTRY M25, POWDER COATED, SILVER WHITE	H6BPR对角锁定侧出壳M25 银白色	M25	
T1910061121-009	H6BPR-TSH-PG21-EMC-C	H6BPR HOOD, DIAGONAL LOCKING, SIDE ENTRY PG21, POWDER COATED, SILVER WHITE	H6BPR对角锁定侧出壳PG21 银白色	PG21	
T1910061120-009	H6BPR-TSH-M20-EMC-C	H6BPR HOOD, DIAGONAL LOCKING, SIDE ENTRY M20, POWDER COATED, SILVER WHITE	H6BPR对角锁定侧出壳M20 银白色	M20	
T1910061116-009	H6BPR-TSH-PG16-EMC-C	H6BPR HOOD, DIAGONAL LOCKING, SIDE ENTRY PG16, POWDER COATED, SILVER WHITE	H6BPR对角锁定侧出壳PG16 银白色	PG16	
T1910060140-009	H6BPR-TSH-M40-EMC-C	H6BPR HOOD, DIAGONAL LOCKING, SIDE ENTRY M40, POWDER COATED, BLACK	H6BPR对角锁定侧出壳M40 黑色	M40	
T1910060132-009	H6BPR-TSH-M32-EMC-C	H6BPR HOOD, DIAGONAL LOCKING, SIDE ENTRY M32, POWDER COATED, BLACK	H6BPR对角锁定侧出壳M32 黑色	M32	
T1910060129-009	H6BPR-TSH-PG29-EMC-C	H6BPR HOOD, DIAGONAL LOCKING, SIDE ENTRY PG29, POWDER COATED, BLACK	H6BPR对角锁定侧出壳PG29 黑色	PG29	
T1910060125-009	H6BPR-TSH-M25-EMC-C	H6BPR HOOD, DIAGONAL LOCKING, SIDE ENTRY M25, POWDER COATED, BLACK	H6BPR对角锁定侧出壳M25 黑色	M25	
T1910060121-009	H6BPR-TSH-PG21-EMC-C	H6BPR HOOD, DIAGONAL LOCKING, SIDE ENTRY PG21, POWDER COATED, BLACK	H6BPR对角锁定侧出壳PG21 黑色	PG21	
T1910060120-009	H6BPR-TSH-M20-EMC-C	H6BPR HOOD, DIAGONAL LOCKING, SIDE ENTRY M20, POWDER COATED, BLACK	H6BPR对角锁定侧出壳M20 黑色	M20	
T1910060116-009	H6BPR-TSH-PG16-EMC-C	H6BPR HOOD, DIAGONAL LOCKING, SIDE ENTRY PG16, POWDER COATED, BLACK	H6BPR对角锁定侧出壳PG16 黑色	PG16	

THIS DRAWING IS A CONTROLLED DOCUMENT.		OWN: DAVID WANG 24SEP2016	TE Connectivity NAME: H6BPR-TSH-PG/M-EMC-C
DIMENSIONS: mm		CHK: CHRIS WANG 24SEP2016	
TOLERANCES UNLESS OTHERWISE SPECIFIED:		APVD: YI LANG XU 24SEP2016	PRODUCT SPEC: 108-137191
0 PLC ± 2 PLC ± 3 PLC ± 4 PLC ± ANGLES ±		APPLICATION SPEC: 114-137191	SIZE: A1
MATERIAL: -		FINISH: -	WEIGHT: -
CUSTOMER DRAWING		SCALE: 1:1	SHEET 1 OF 1

X-ON Electronics

Largest Supplier of Electrical and Electronic Components

Click to view similar products for [Heavy Duty Power Connectors](#) category:

Click to view products by [TE Connectivity](#) manufacturer:

Other Similar products are found below :

[1424439](#) [1424438](#) [09330062652](#) [2-8675P1](#) [605601-1](#) [6340G1](#) [6341G1](#) [6360G1](#) [6373G1](#) [6374g2](#) [6396G1](#) [647757-1](#) [66394-4](#) [6643411-1](#)
[6646058-2](#) [6646137-1](#) [6646138-1](#) [6646348-1](#) [6646479-1](#) [6646608-1](#) [6646786-1](#) [6646940-1](#) [6651091-1](#) [6651525-1](#) [6651529-1](#) [6651778-1](#)
[6651788-1](#) [696465-1](#) [696475-1](#) [73000005059](#) [73000005349](#) [73000005642](#) [73080255059](#) [73080965046](#) [765-15-0080A](#) [765-16-0080B](#)
[789.700-44](#) [789.700-54](#) [80-1010](#) [80-9](#) [827381-1](#) [829992-1](#) [902-77-02113](#) [PL00U-301-10D10](#) [PM103MOOLOO](#) [PM16S1620S32-50](#)
[PM212MOOLOO](#) [PM309FOOLOO](#) [PM324FOOLCH](#) [PMHPAF11S03](#)