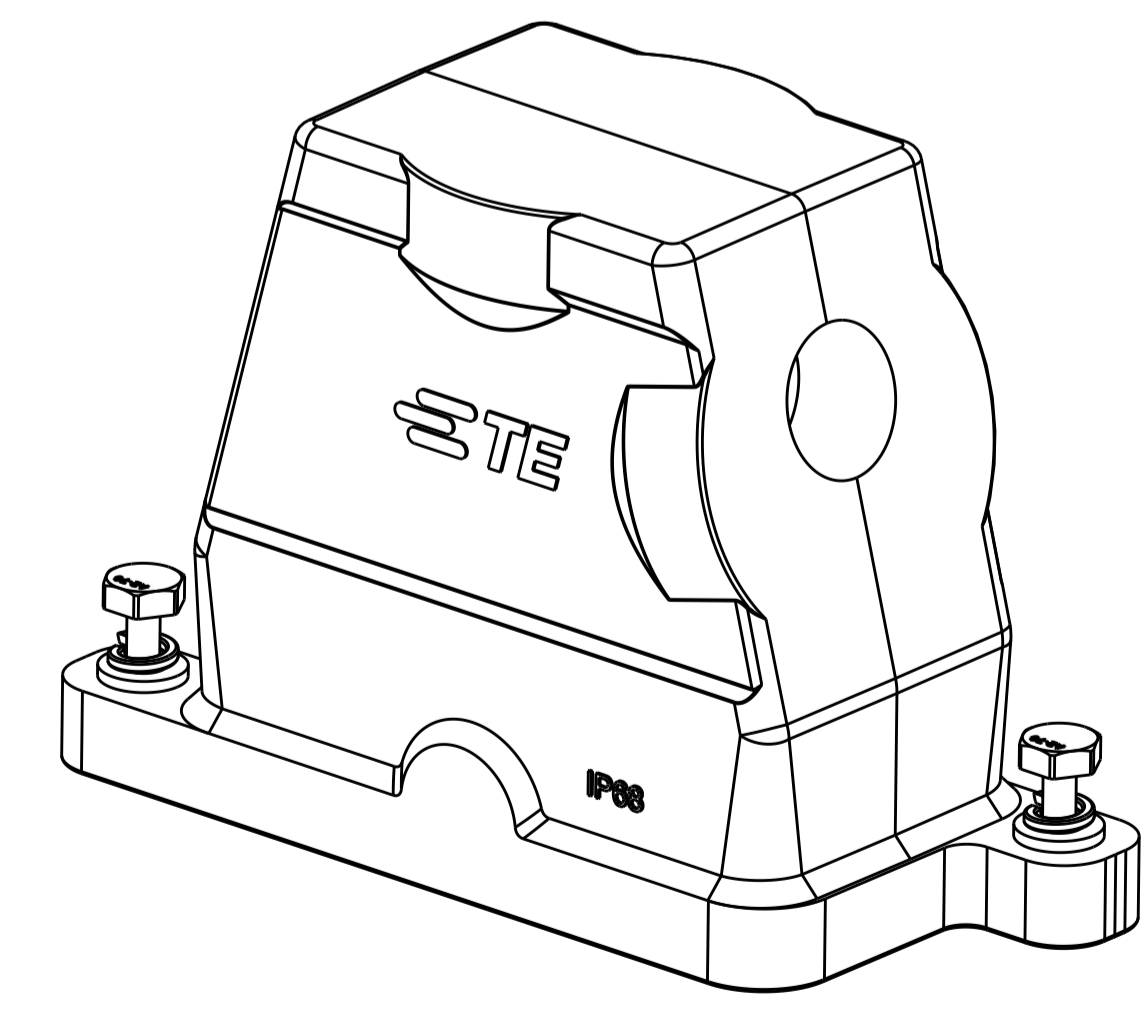
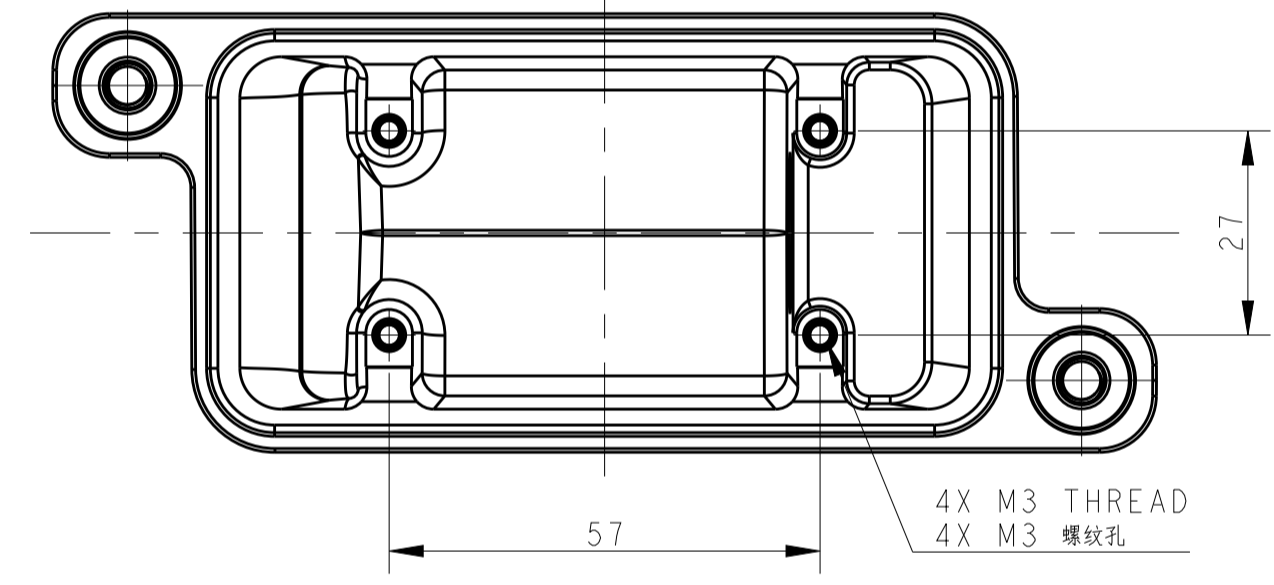
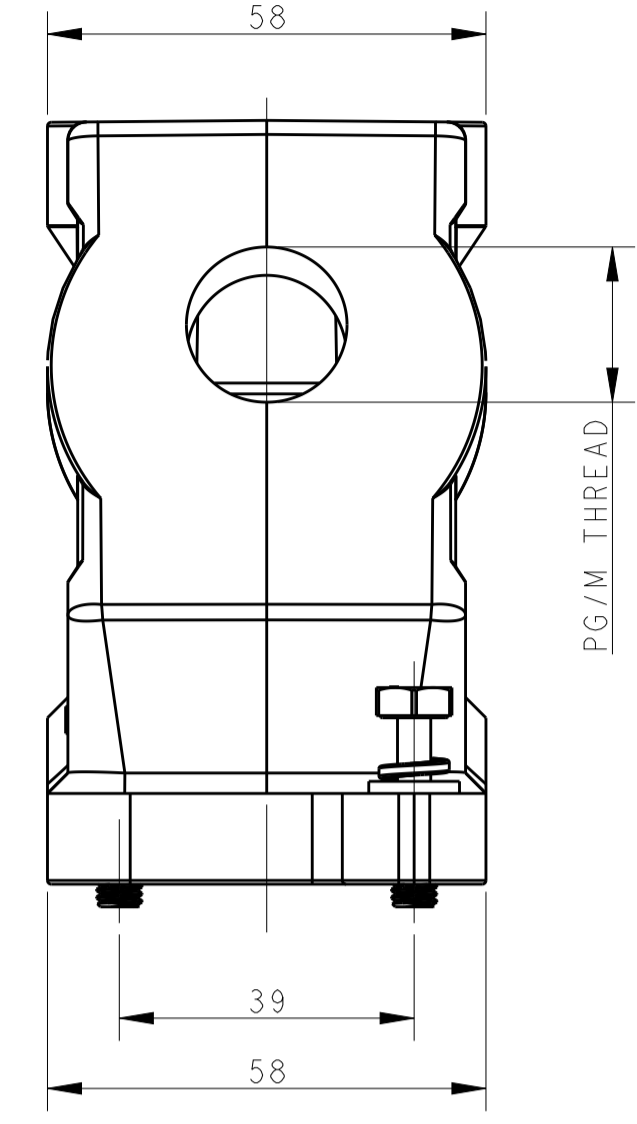
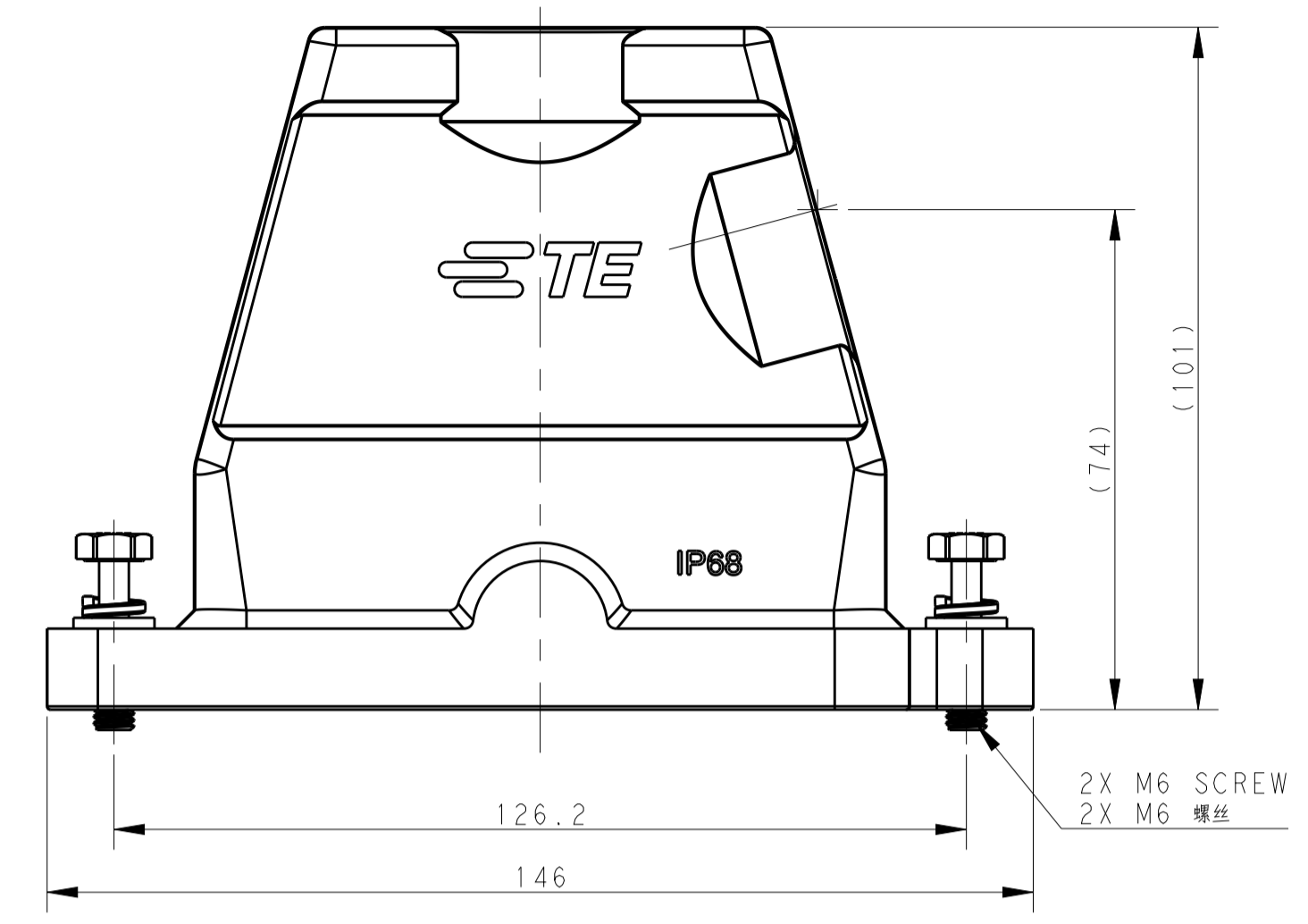


| REVISIONS |     |                 |           |       |
|-----------|-----|-----------------|-----------|-------|
| P         | LTN | DESCRIPTION     | DATE      | APP'D |
| A         |     | INITIAL RELEASE | 20SEP2016 | DW CW |



NOTES:  
 1. TECHNICAL CHARACTERISTICS:  
 HOOD MATERIAL: DIE CAST ALUMINIUM ALLOY  
 SURFACE: SEE TABLE  
 DEGREE OF PROTECTION: IP68 (MATED)

注释:  
 1. 技术参数:  
 壳体材料: 铝合金  
 表面处理: 见表格  
 防护等级: IP68 (配合)

| PART NUMBER     | 料号                    | 描述  | PG/M THREAD |
|-----------------|-----------------------|---|-------------|
| T1910102140-009 | H10BPR-TSH-M40-EMC-C  | H10BPR HOOD, DIAGONAL LOCKING, SIDE ENTRY M40, POWDER COATED, GREY<br>H10BPR对角锁定侧出上壳M40 灰色            | M40         |
| T1910102132-009 | H10BPR-TSH-M32-EMC-C  | H10BPR HOOD, DIAGONAL LOCKING, SIDE ENTRY M32, POWDER COATED, GREY<br>H10BPR对角锁定侧出上壳M32 灰色            | M32         |
| T1910102129-009 | H10BPR-TSH-PG29-EMC-C | H10BPR HOOD, DIAGONAL LOCKING, SIDE ENTRY PG29, POWDER COATED, GREY<br>H10BPR对角锁定侧出上壳PG29 灰色          | PG29        |
| T1910102125-009 | H10BPR-TSH-M25-EMC-C  | H10BPR HOOD, DIAGONAL LOCKING, SIDE ENTRY M25, POWDER COATED, GREY<br>H10BPR对角锁定侧出上壳M25 灰色            | M25         |
| T1910102121-009 | H10BPR-TSH-PG21-EMC-C | H10BPR HOOD, DIAGONAL LOCKING, SIDE ENTRY PG21, POWDER COATED, GREY<br>H10BPR对角锁定侧出上壳PG21 灰色          | PG21        |
| T1910102120-009 | H10BPR-TSH-M20-EMC-C  | H10BPR HOOD, DIAGONAL LOCKING, SIDE ENTRY M20, POWDER COATED, GREY<br>H10BPR对角锁定侧出上壳M20 灰色            | M20         |
| T1910102116-009 | H10BPR-TSH-PG16-EMC-C | H10BPR HOOD, DIAGONAL LOCKING, SIDE ENTRY PG16, POWDER COATED, GREY<br>H10BPR对角锁定侧出上壳PG16 灰色          | PG16        |
| T1910101140-009 | H10BPR-TSH-M40-EMC-C  | H10BPR HOOD, DIAGONAL LOCKING, SIDE ENTRY M40, POWDER COATED, SILVER WHITE<br>H10BPR对角锁定侧出上壳M40 银白色   | M40         |
| T1910101132-009 | H10BPR-TSH-M32-EMC-C  | H10BPR HOOD, DIAGONAL LOCKING, SIDE ENTRY M32, POWDER COATED, SILVER WHITE<br>H10BPR对角锁定侧出上壳M32 银白色   | M32         |
| T1910101129-009 | H10BPR-TSH-PG29-EMC-C | H10BPR HOOD, DIAGONAL LOCKING, SIDE ENTRY PG29, POWDER COATED, SILVER WHITE<br>H10BPR对角锁定侧出上壳PG29 银白色 | PG29        |
| T1910101125-009 | H10BPR-TSH-M25-EMC-C  | H10BPR HOOD, DIAGONAL LOCKING, SIDE ENTRY M25, POWDER COATED, SILVER WHITE<br>H10BPR对角锁定侧出上壳M25 银白色   | M25         |
| T1910101121-009 | H10BPR-TSH-PG21-EMC-C | H10BPR HOOD, DIAGONAL LOCKING, SIDE ENTRY PG21, POWDER COATED, SILVER WHITE<br>H10BPR对角锁定侧出上壳PG21 银白色 | PG21        |
| T1910101120-009 | H10BPR-TSH-M20-EMC-C  | H10BPR HOOD, DIAGONAL LOCKING, SIDE ENTRY M20, POWDER COATED, SILVER WHITE<br>H10BPR对角锁定侧出上壳M20 银白色   | M20         |
| T1910101116-009 | H10BPR-TSH-PG16-EMC-C | H10BPR HOOD, DIAGONAL LOCKING, SIDE ENTRY PG16, POWDER COATED, SILVER WHITE<br>H10BPR对角锁定侧出上壳PG16 银白色 | PG16        |
| T1910100140-009 | H10BPR-TSH-M40-EMC-C  | H10BPR HOOD, DIAGONAL LOCKING, SIDE ENTRY M40, POWDER COATED, BLACK<br>H10BPR对角锁定侧出上壳M40 黑色           | M40         |
| T1910100132-009 | H10BPR-TSH-M32-EMC-C  | H10BPR HOOD, DIAGONAL LOCKING, SIDE ENTRY M32, POWDER COATED, BLACK<br>H10BPR对角锁定侧出上壳M32 黑色           | M32         |
| T1910100129-009 | H10BPR-TSH-PG29-EMC-C | H10BPR HOOD, DIAGONAL LOCKING, SIDE ENTRY PG29, POWDER COATED, BLACK<br>H10BPR对角锁定侧出上壳PG29 黑色         | PG29        |
| T1910100125-009 | H10BPR-TSH-M25-EMC-C  | H10BPR HOOD, DIAGONAL LOCKING, SIDE ENTRY M25, POWDER COATED, BLACK<br>H10BPR对角锁定侧出上壳M25 黑色           | M25         |
| T1910100121-009 | H10BPR-TSH-PG21-EMC-C | H10BPR HOOD, DIAGONAL LOCKING, SIDE ENTRY PG21, POWDER COATED, BLACK<br>H10BPR对角锁定侧出上壳PG21 黑色         | PG21        |
| T1910100120-009 | H10BPR-TSH-M20-EMC-C  | H10BPR HOOD, DIAGONAL LOCKING, SIDE ENTRY M20, POWDER COATED, BLACK<br>H10BPR对角锁定侧出上壳M20 黑色           | M20         |
| T1910100116-009 | H10BPR-TSH-PG16-EMC-C | H10BPR HOOD, DIAGONAL LOCKING, SIDE ENTRY PG16, POWDER COATED, BLACK<br>H10BPR对角锁定侧出上壳PG16 黑色         | PG16        |

THIS DRAWING IS A CONTROLLED DOCUMENT. DWN: DAVID WANG, 20SEP2016  
 CHR: CHRIS WANG, 20SEP2016  
 APVD: XIANG YU, 20SEP2016

**STE** TE Connectivity

NAME: H10BPR-TSH-PG/M-EMC-C

PRODUCT SPEC: 108-137191  
 APPLICATION SPEC: 114-137191

SIZE: A1 CAGE CODE: - DRAWING NO: C-T191010XXXXX09 RESTRICTED TO: -  
 WEIGHT: -  
 CUSTOMER DRAWING SCALE: 1:1 SHEET 1 OF 1 REV: A

## X-ON Electronics

Largest Supplier of Electrical and Electronic Components

*Click to view similar products for [Heavy Duty Power Connectors](#) category:*

*Click to view products by [TE Connectivity](#) manufacturer:*

Other Similar products are found below :

[1424439](#) [1424438](#) [09330062652](#) [2-8675P1](#) [605601-1](#) [6340G1](#) [6341G1](#) [6360G1](#) [6373G1](#) [6374g2](#) [6396G1](#) [647757-1](#) [66394-4](#) [6643411-1](#)  
[6646058-2](#) [6646137-1](#) [6646138-1](#) [6646348-1](#) [6646479-1](#) [6646608-1](#) [6646786-1](#) [6646940-1](#) [6651091-1](#) [6651525-1](#) [6651529-1](#) [6651778-1](#)  
[6651788-1](#) [696465-1](#) [696475-1](#) [73000005059](#) [73000005349](#) [73000005642](#) [73080255059](#) [73080965046](#) [765-15-0080A](#) [765-16-0080B](#)  
[789.700-44](#) [789.700-54](#) [80-1010](#) [80-9](#) [827381-1](#) [829992-1](#) [902-77-02113](#) [PL00U-301-10D10](#) [PM103MOOLOO](#) [PM16S1620S32-50](#)  
[PM212MOOLOO](#) [PM309FOOLOO](#) [PM324FOOLCH](#) [PMHPAF11S03](#)