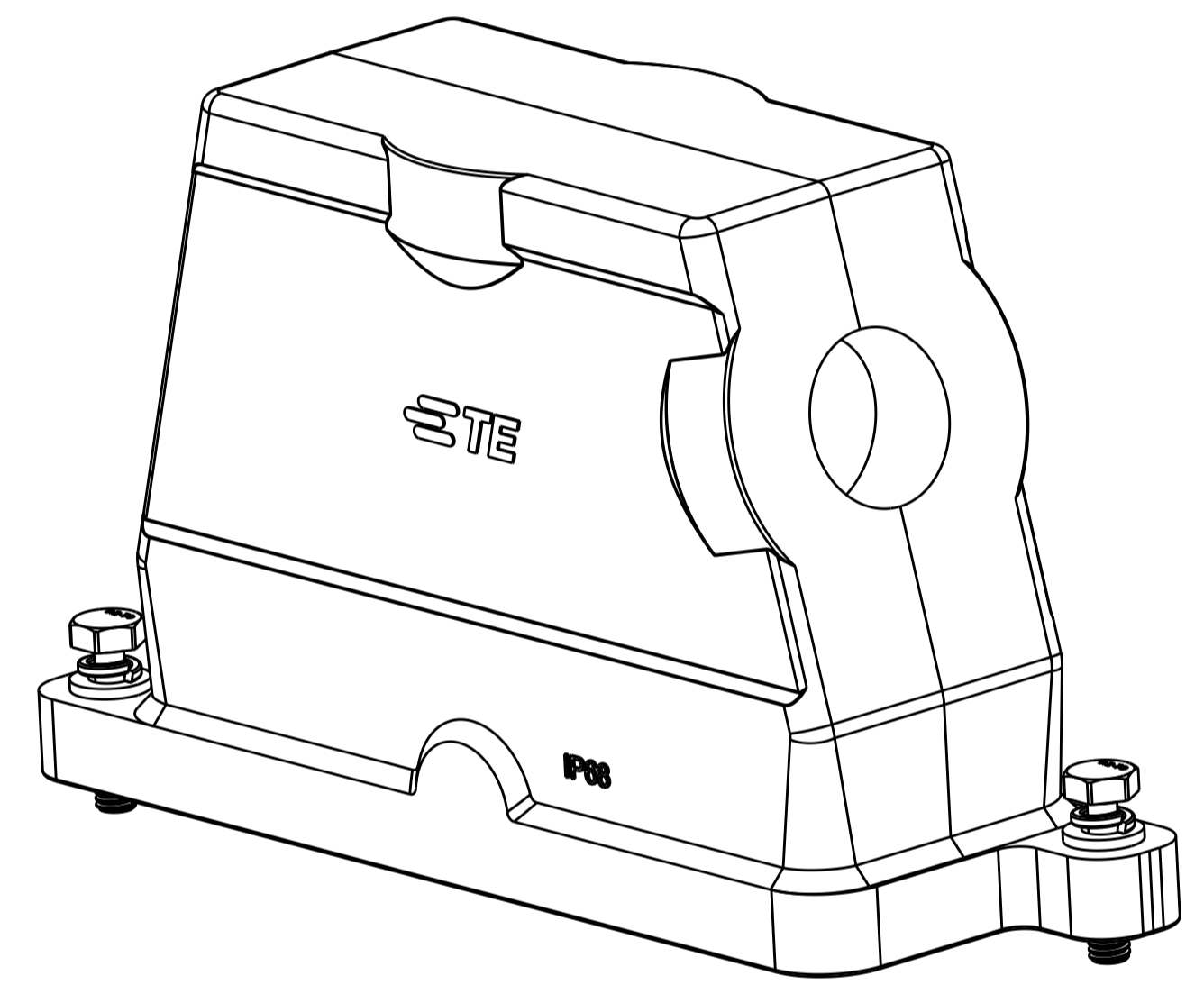
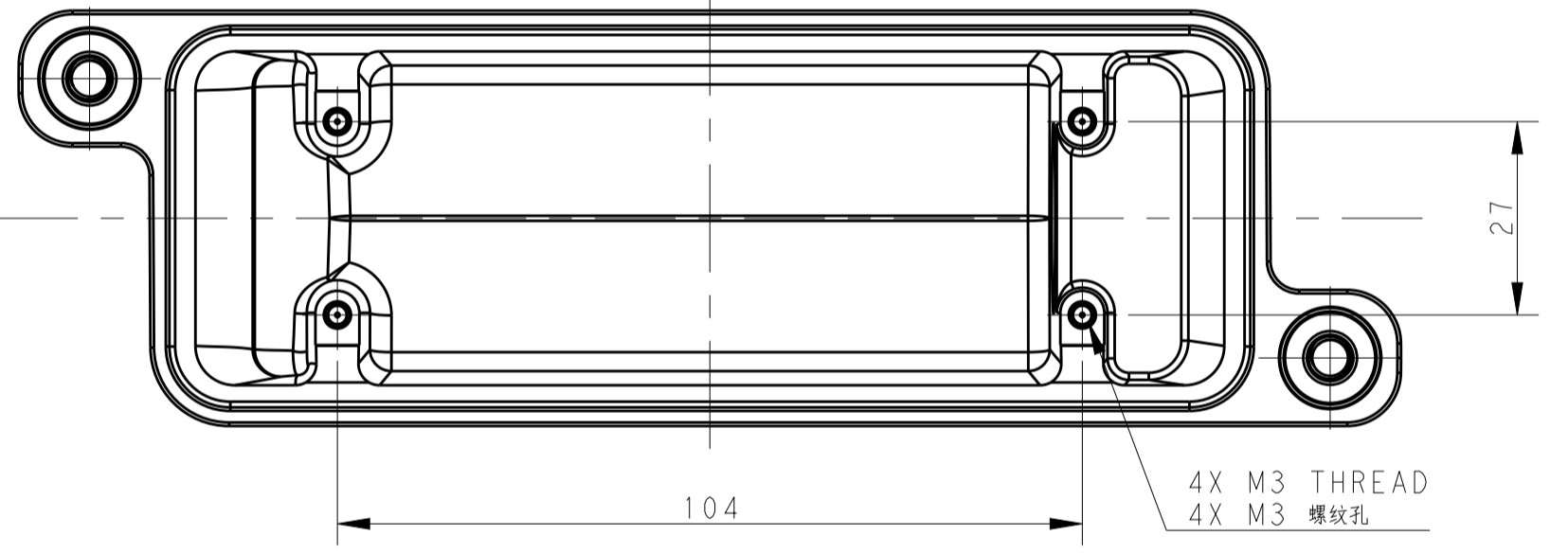
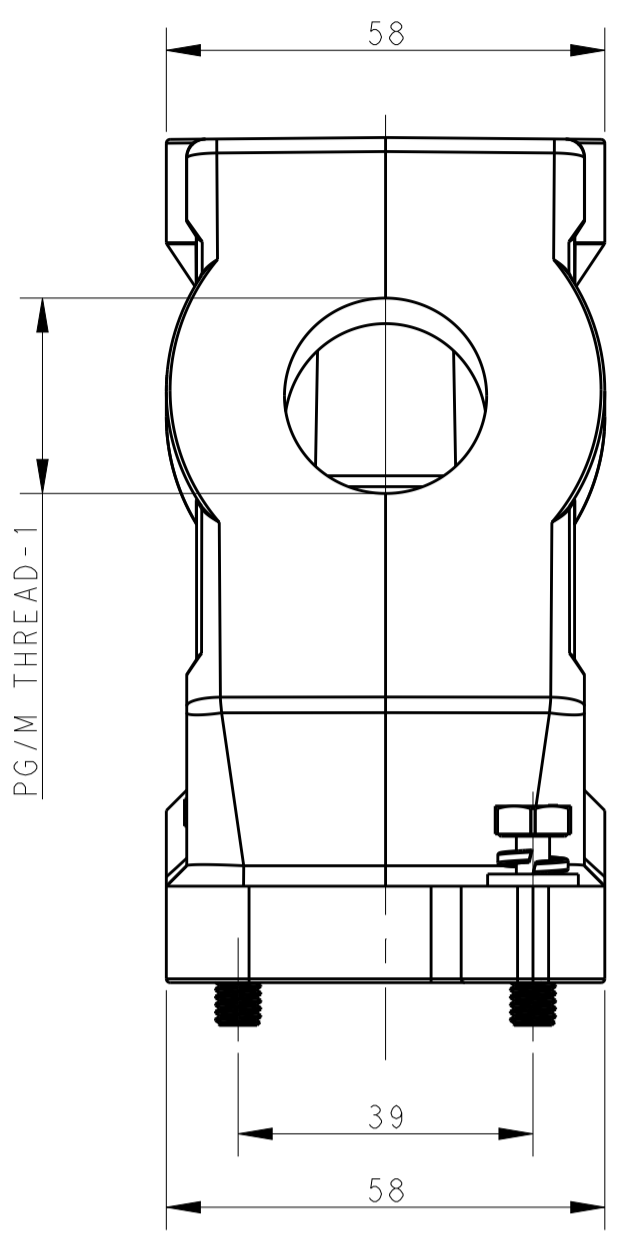
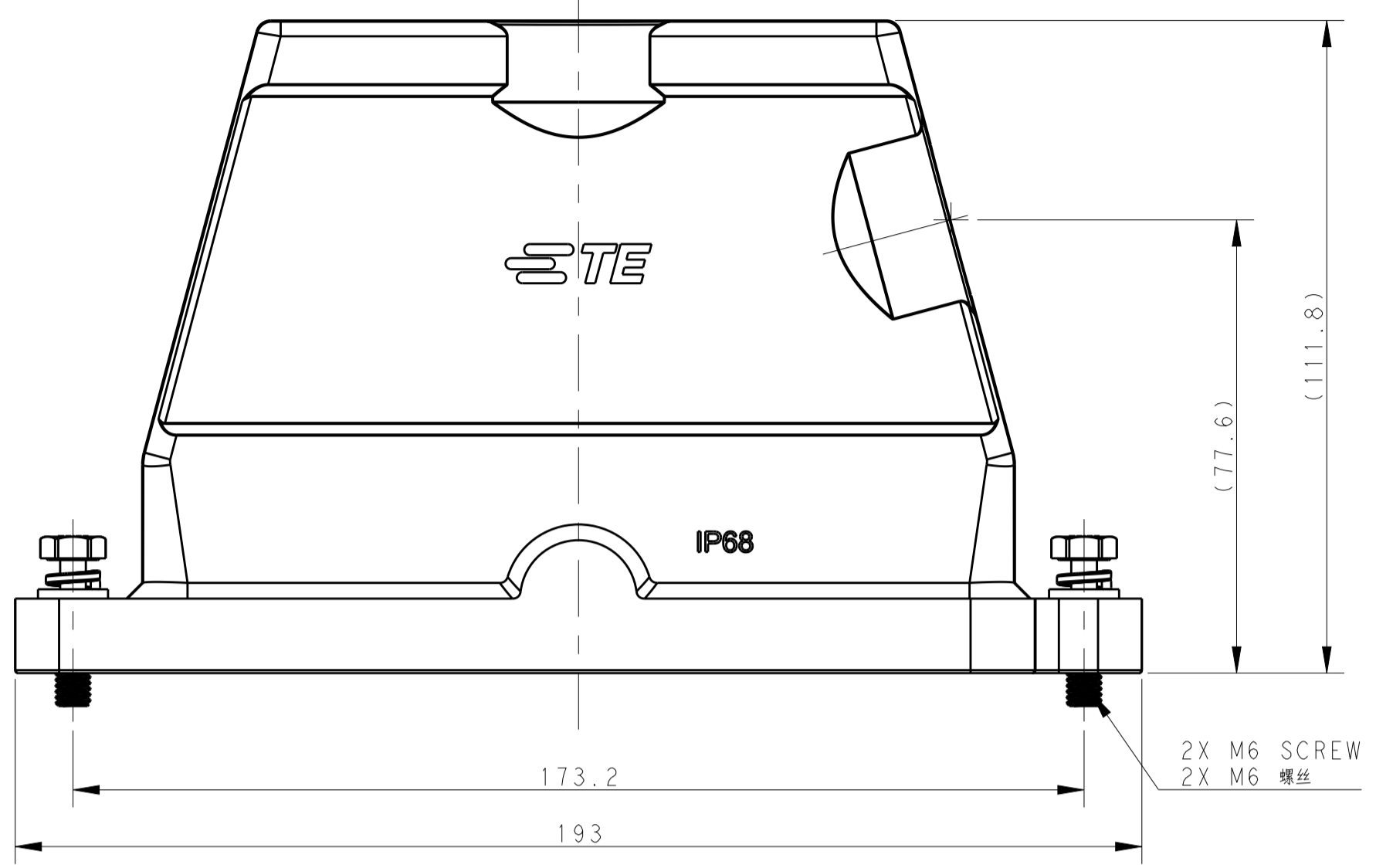


REVISIONS				
REV	LTN	DESCRIPTION	DATE	APVD
A		INITIAL RELEASE	26AUG2016	DW CW



NOTES:  
 1. TECHNICAL CHARACTERISTICS:  
 HOOD MATERIAL: DIE CAST ALUMINIUM ALLOY  
 SURFACE: SEE TABLE  
 DEGREE OF PROTECTION: IP68 (MATED)

注释:  
 1. 技术参数:  
 壳体材料: 铝合金  
 表面处理: 见表格  
 防护等级: IP68 (配合)

PART NUMBER 料号	DESCRIPTION 描述	PG/M THREAD-1 PG/M 螺纹-1
T1910241140-009	H24BPR-TSH-M40-EMC-C H24BPR HOOD, DIAGONAL LOCKING, SIDE ENTRY M40, POWDER COATED, SILVER WHITE H24BPR对角锁定侧出上壳M40 银白色	M40
T1910241136-009	H24BPR-TSH-PG36-EMC-C H24BPR HOOD, DIAGONAL LOCKING, SIDE ENTRY PG36, POWDER COATED, SILVER WHITE H24BPR对角锁定侧出上壳PG36 银白色	PG36
T1910241132-009	H24BPR-TSH-M32-EMC-C H24BPR HOOD, DIAGONAL LOCKING, SIDE ENTRY M32, POWDER COATED, SILVER WHITE H24BPR对角锁定侧出上壳M32 银白色	M32
T1910241129-009	H24BPR-TSH-PG29-EMC-C H24BPR HOOD, DIAGONAL LOCKING, SIDE ENTRY PG29, POWDER COATED, SILVER WHITE H24BPR对角锁定侧出上壳PG29 银白色	PG29
T1910241125-009	H24BPR-TSH-M25-EMC-C H24BPR HOOD, DIAGONAL LOCKING, SIDE ENTRY M25, POWDER COATED, SILVER WHITE H24BPR对角锁定侧出上壳M25 银白色	M25
T1910241121-009	H24BPR-TSH-PG21-EMC-C H24BPR HOOD, DIAGONAL LOCKING, SIDE ENTRY PG21, POWDER COATED, SILVER WHITE H24BPR对角锁定侧出上壳PG21 银白色	PG21
T1910240140-009	H24BPR-TSH-M40-EMC-C H24BPR HOOD, DIAGONAL LOCKING, SIDE ENTRY M40, POWDER COATED, BLACK H24BPR对角锁定侧出上壳M40 黑色	M40
T1910240136-009	H24BPR-TSH-PG36-EMC-C H24BPR HOOD, DIAGONAL LOCKING, SIDE ENTRY PG36, POWDER COATED, BLACK H24BPR对角锁定侧出上壳PG36 黑色	PG36
T1910240132-009	H24BPR-TSH-M32-EMC-C H24BPR HOOD, DIAGONAL LOCKING, SIDE ENTRY M32, POWDER COATED, BLACK H24BPR对角锁定侧出上壳M32 黑色	M32
T1910240129-009	H24BPR-TSH-PG29-EMC-C H24BPR HOOD, DIAGONAL LOCKING, SIDE ENTRY PG29, POWDER COATED, BLACK H24BPR对角锁定侧出上壳PG29 黑色	PG29
T1910240125-009	H24BPR-TSH-M25-EMC-C H24BPR HOOD, DIAGONAL LOCKING, SIDE ENTRY M25, POWDER COATED, BLACK H24BPR对角锁定侧出上壳M25 黑色	M25
T1910240121-009	H24BPR-TSH-PG21-EMC-C H24BPR HOOD, DIAGONAL LOCKING, SIDE ENTRY PG21, POWDER COATED, BLACK H24BPR对角锁定侧出上壳PG21 黑色	PG21

THIS DRAWING IS A CONTROLLED DOCUMENT. DWN: DAVID WANG 26AUG2016  
 CHR: CHRIS WANG 26AUG2016  
 APVD: XIANG YU 26AUG2016

STE TE Connectivity

NAME: H24BPR-TSH-PG/M-EMC-C

PRODUCT SPEC: 108-137191  
 APPLICATION SPEC: 114-137191

SIZE: A1 CAGE CODE: T191024XXXXX09 DRAWING NO: 108-137191  
 SCALE: 1:1 SHEET: 1 OF 1 REV: A

CUSTOMER DRAWING

## X-ON Electronics

Largest Supplier of Electrical and Electronic Components

*Click to view similar products for [Heavy Duty Power Connectors](#) category:*

*Click to view products by [TE Connectivity](#) manufacturer:*

Other Similar products are found below :

[1424439](#) [1424438](#) [09330062652](#) [2-8675P1](#) [605601-1](#) [6340G1](#) [6341G1](#) [6360G1](#) [6373G1](#) [6374g2](#) [6396G1](#) [647757-1](#) [66394-4](#) [6643411-1](#)  
[6646058-2](#) [6646137-1](#) [6646138-1](#) [6646348-1](#) [6646479-1](#) [6646608-1](#) [6646786-1](#) [6646940-1](#) [6651091-1](#) [6651525-1](#) [6651529-1](#) [6651778-1](#)  
[6651788-1](#) [696465-1](#) [696475-1](#) [73000005059](#) [73000005349](#) [73000005642](#) [73080255059](#) [73080965046](#) [765-15-0080A](#) [765-16-0080B](#)  
[789.700-44](#) [789.700-54](#) [80-1010](#) [80-9](#) [827381-1](#) [829992-1](#) [902-77-02113](#) [PL00U-301-10D10](#) [PM103MOOLOO](#) [PM16S1620S32-50](#)  
[PM212MOOLOO](#) [PM309FOOLOO](#) [PM324FOOLCH](#) [PMHPAF11S03](#)