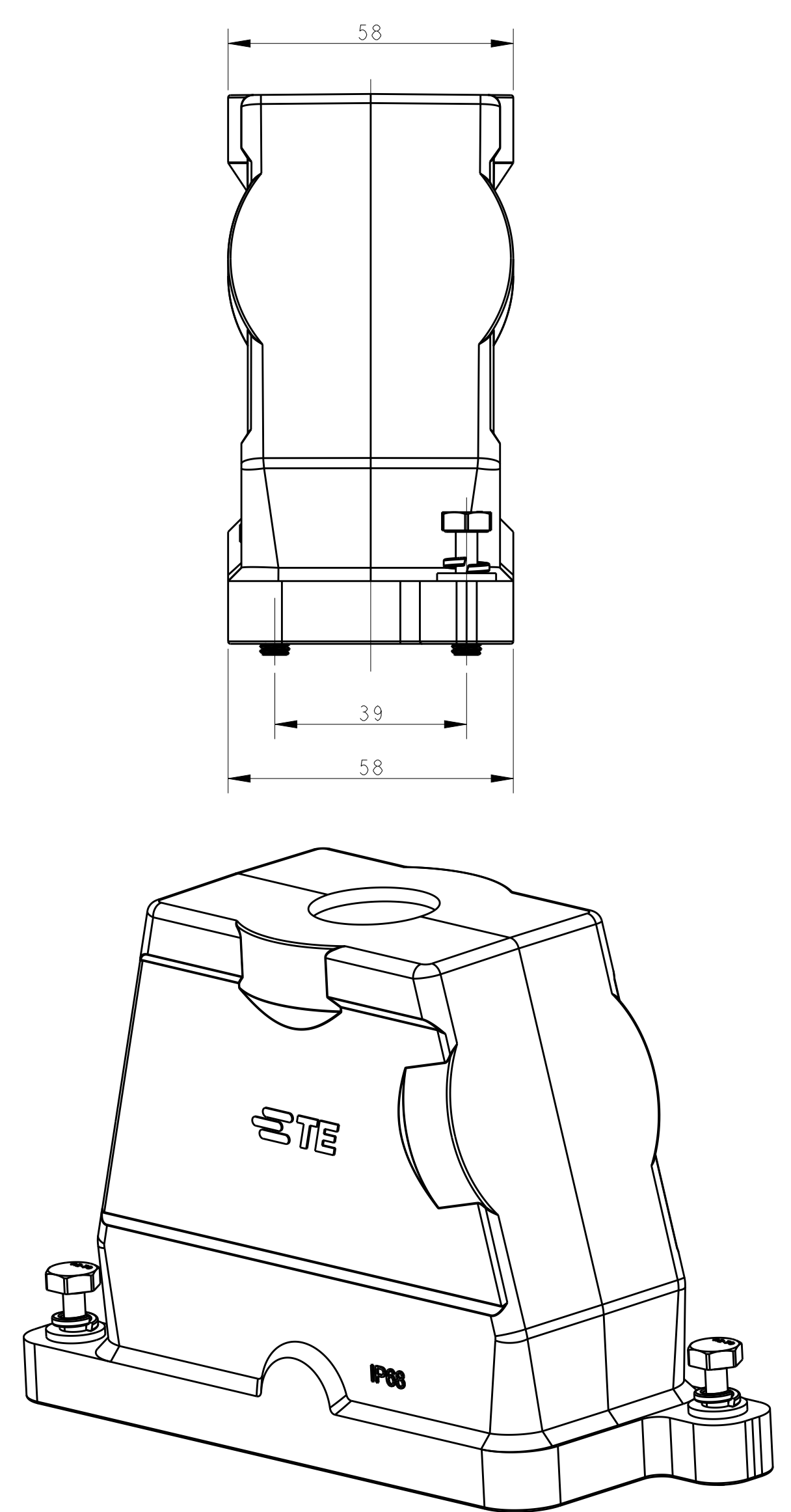
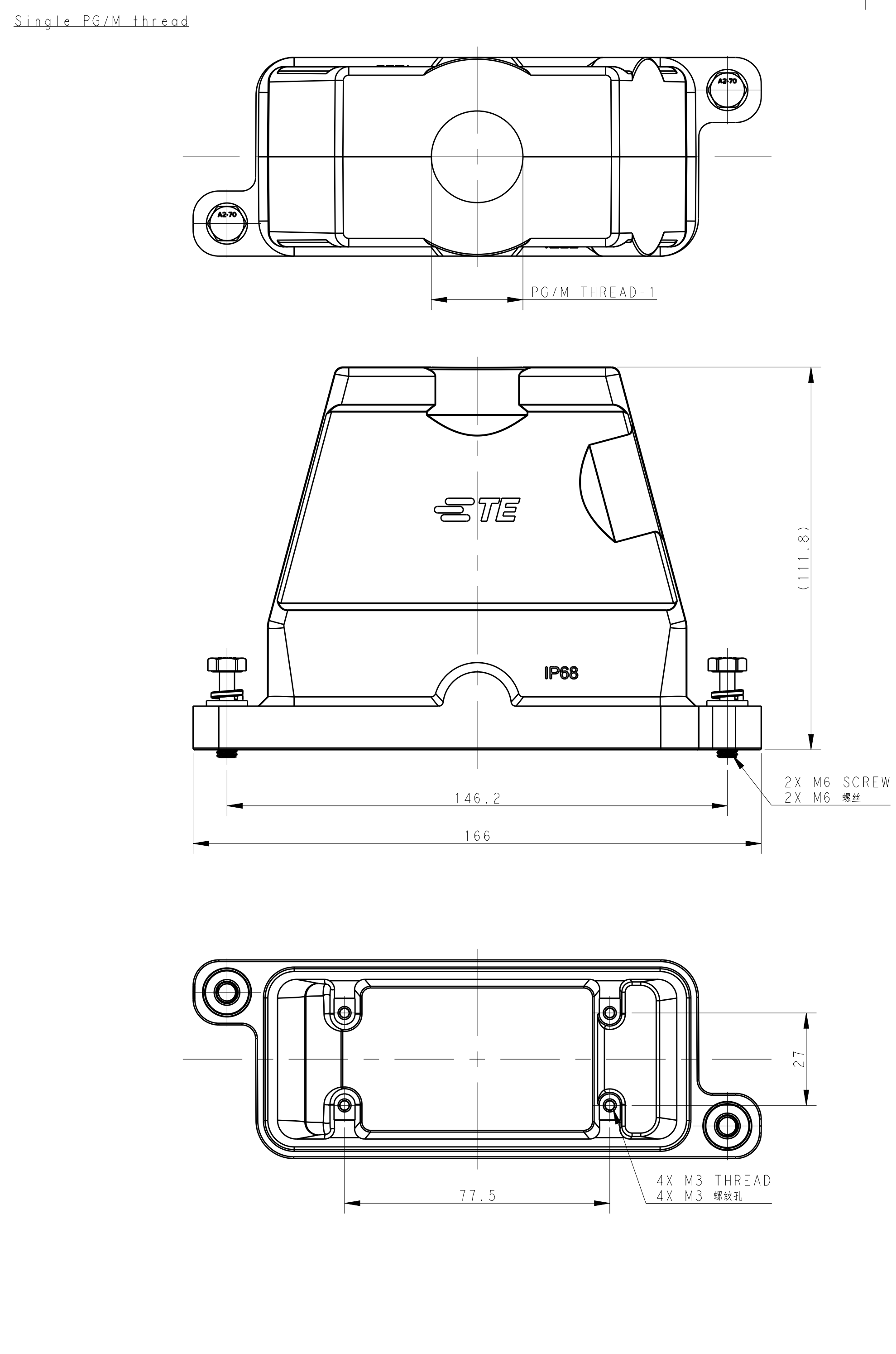
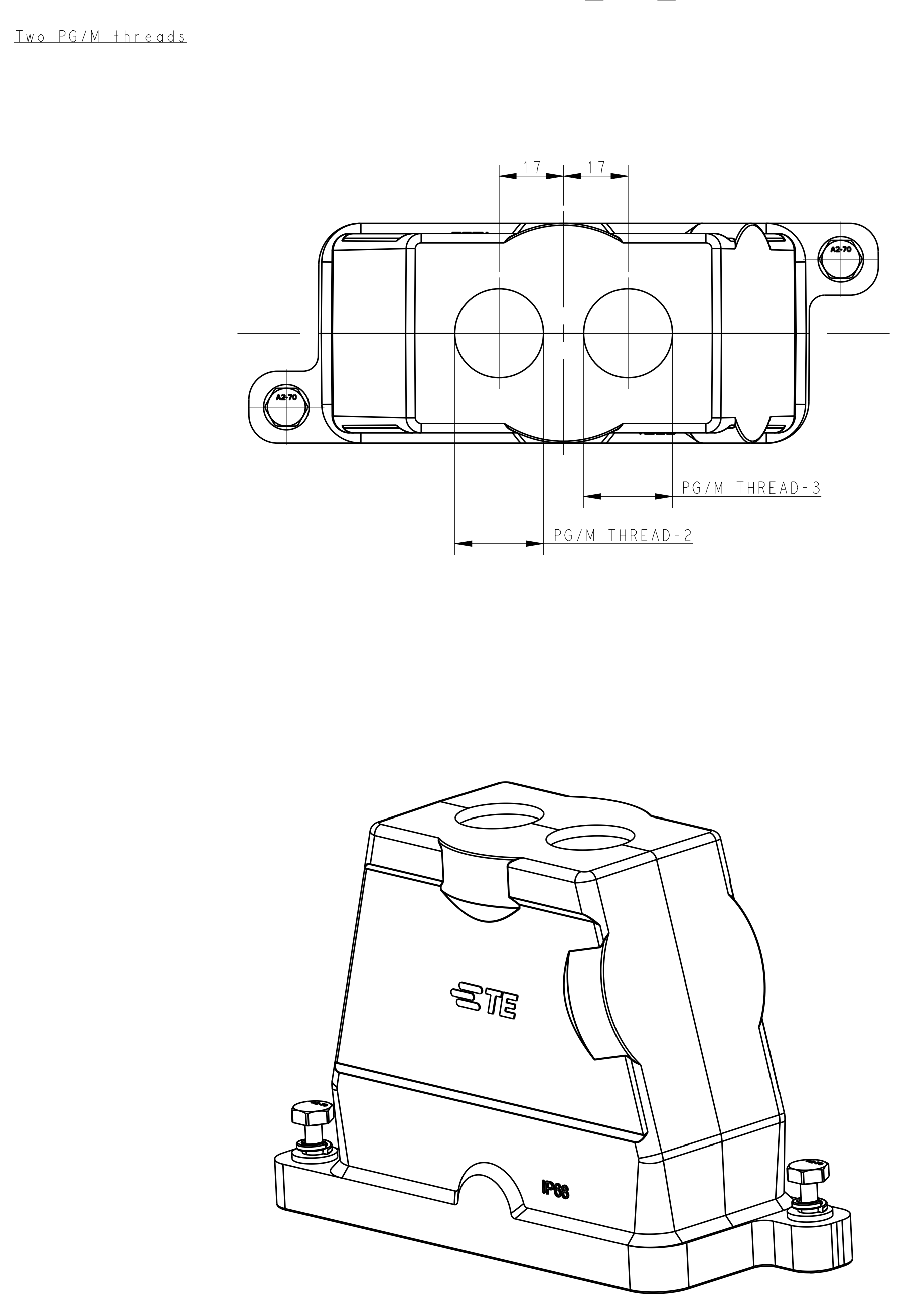


TYPE 1

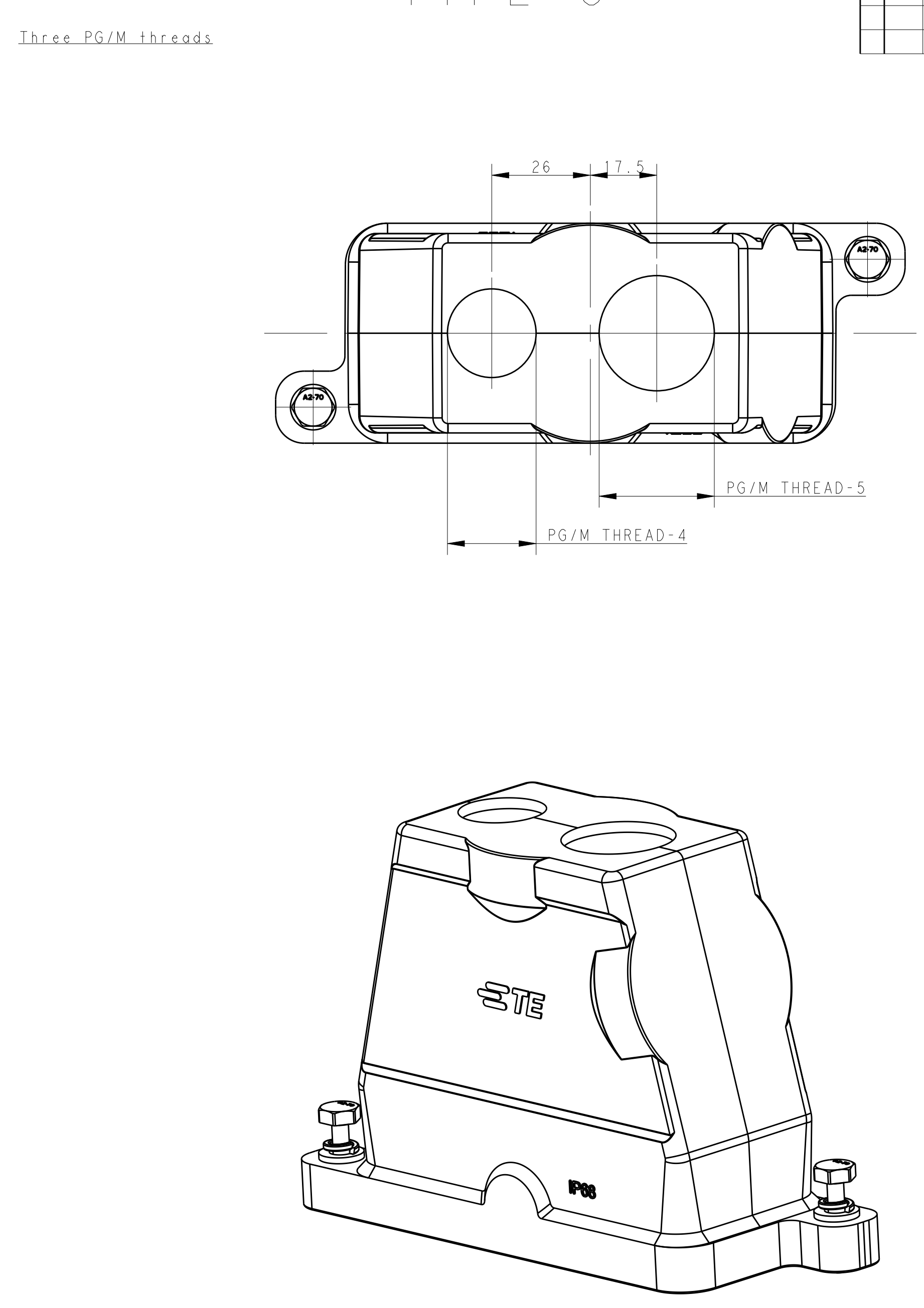


TYPE 2



All dimension is same as TYPE 1, except those defined in this TYPE

TYPE 3



All dimension is same as TYPE 1, except those defined in this TYPE

REVISIONS			
P	LTW	DESCRIPTION	DATE
A		INITIAL RELEASE	12SEP2016

NOTES:
1. TECHNICAL CHARACTERISTICS:
HOOD MATERIAL: DIE CAST ALUMINIUM ALLOY
SURFACE: SEE TABLE
DEGREE OF PROTECTION: IP68 (MATED)

过程
1. 壳体类型: 铝合金
表面处理: 阳极氧化
防护等级: IP68 (配合)

TYPE 3	TYPE 2	TYPE 1	TYPE				
T1920163225-109	H16BPR-TGH-M32/M25-EMC-C	H16BPR HOOD, DIAGONAL LOCKING, TOP ENTRY M32/M25, POWDER COATED, BLACK	M32 M25 - - -				
T1920163225-009	H16BPR-TGH-M32/M25-EMC-C	H16BPR HOOD, DIAGONAL LOCKING, TOP ENTRY M32/M25, POWDER COATED, GREY	M32 M25 - - -				
T1920162516-009	H16BPR-TGH-M25/M16-EMC-C	H16BPR HOOD, DIAGONAL LOCKING, TOP ENTRY M25/M16, POWDER COATED, BLACK	- - M16 M25 -				
T1920161225-009	H16BPR-TGH-2M25-EMC-C	H16BPR HOOD, DIAGONAL LOCKING, TOP ENTRY 2M25, POWDER COATED, SILVER WHITE	- - M25 M25 -				
T1920160225-009	H16BPR-TGH-2M25-EMC-C	H16BPR HOOD, DIAGONAL LOCKING, TOP ENTRY 2M25, POWDER COATED, BLACK	- - M25 M25 -				
T1920161140-009	H16BPR-TGH-M40-EMC-C	H16BPR HOOD, DIAGONAL LOCKING, TOP ENTRY M40, POWDER COATED, SILVER WHITE	- - - - M40				
T1920161136-009	H16BPR-TGH-PG36-EMC-C	H16BPR HOOD, DIAGONAL LOCKING, TOP ENTRY PG36, POWDER COATED, SILVER WHITE	- - - - PG36				
T1920161132-009	H16BPR-TGH-M32-EMC-C	H16BPR HOOD, DIAGONAL LOCKING, TOP ENTRY M32, POWDER COATED, SILVER WHITE	- - - - M32				
T1920161129-009	H16BPR-TGH-PG29-EMC-C	H16BPR HOOD, DIAGONAL LOCKING, TOP ENTRY PG29, POWDER COATED, SILVER WHITE	- - - - PG29				
T1920161125-009	H16BPR-TGH-M25-EMC-C	H16BPR HOOD, DIAGONAL LOCKING, TOP ENTRY M25, POWDER COATED, SILVER WHITE	- - - - M25				
T1920161121-009	H16BPR-TGH-PG21-EMC-C	H16BPR HOOD, DIAGONAL LOCKING, TOP ENTRY PG21, POWDER COATED, SILVER WHITE	- - - - PG21				
T1920160140-009	H16BPR-TGH-M40-EMC-C	H16BPR HOOD, DIAGONAL LOCKING, TOP ENTRY M40, POWDER COATED, BLACK	- - - - M40				
T1920160136-009	H16BPR-TGH-PG36-EMC-C	H16BPR HOOD, DIAGONAL LOCKING, TOP ENTRY PG36, POWDER COATED, BLACK	- - - - PG36				
T1920160132-009	H16BPR-TGH-M32-EMC-C	H16BPR HOOD, DIAGONAL LOCKING, TOP ENTRY M32, POWDER COATED, BLACK	- - - - M32				
T1920160129-009	H16BPR-TGH-PG29-EMC-C	H16BPR HOOD, DIAGONAL LOCKING, TOP ENTRY PG29, POWDER COATED, BLACK	- - - - PG29				
T1920160125-009	H16BPR-TGH-M25-EMC-C	H16BPR HOOD, DIAGONAL LOCKING, TOP ENTRY M25, POWDER COATED, BLACK	- - - - M25				
T1920160121-009	H16BPR-TGH-PG21-EMC-C	H16BPR HOOD, DIAGONAL LOCKING, TOP ENTRY PG21, POWDER COATED, BLACK	- - - - PG21				
PART NUMBER	PART DESCRIPTION	PG/M THREAD-5	PG/M THREAD-4	PG/M THREAD-3	PG/M THREAD-2	PG/M THREAD-1	TYPE

THIS DRAWING IS A CONTROLLED DOCUMENT. DATE: 12SEP2016. DRAWN BY: DAVID WANG. CHECKED BY: CHRIS WANG. APPROVED BY: XIANGLI. PRODUCT SPEC: 108-137191. APPLICATION SPEC: 114-137191. WEIGHT: -. MATERIAL: -. FINISH: -. CUSTOMER DRAWING. SCALE: 1:1. SHEET: 1 OF 1. REV: A.

X-ON Electronics

Largest Supplier of Electrical and Electronic Components

Click to view similar products for [Heavy Duty Power Connectors](#) category:

Click to view products by [TE Connectivity](#) manufacturer:

Other Similar products are found below :

[1424439](#) [1424438](#) [09330062652](#) [2-8675P1](#) [605601-1](#) [6340G1](#) [6341G1](#) [6360G1](#) [6373G1](#) [6374g2](#) [6396G1](#) [647757-1](#) [66394-4](#) [6643411-1](#)
[6646058-2](#) [6646137-1](#) [6646138-1](#) [6646348-1](#) [6646479-1](#) [6646608-1](#) [6646786-1](#) [6646940-1](#) [6651091-1](#) [6651525-1](#) [6651529-1](#) [6651778-1](#)
[6651788-1](#) [696465-1](#) [696475-1](#) [73000005059](#) [73000005349](#) [73000005642](#) [73080255059](#) [73080965046](#) [765-15-0080A](#) [765-16-0080B](#)
[789.700-44](#) [789.700-54](#) [80-1010](#) [80-9](#) [827381-1](#) [829992-1](#) [902-77-02113](#) [PL00U-301-10D10](#) [PM103MOOLOO](#) [PM16S1620S32-50](#)
[PM212MOOLOO](#) [PM309FOOLOO](#) [PM324FOOLCH](#) [PMHPAF11S03](#)