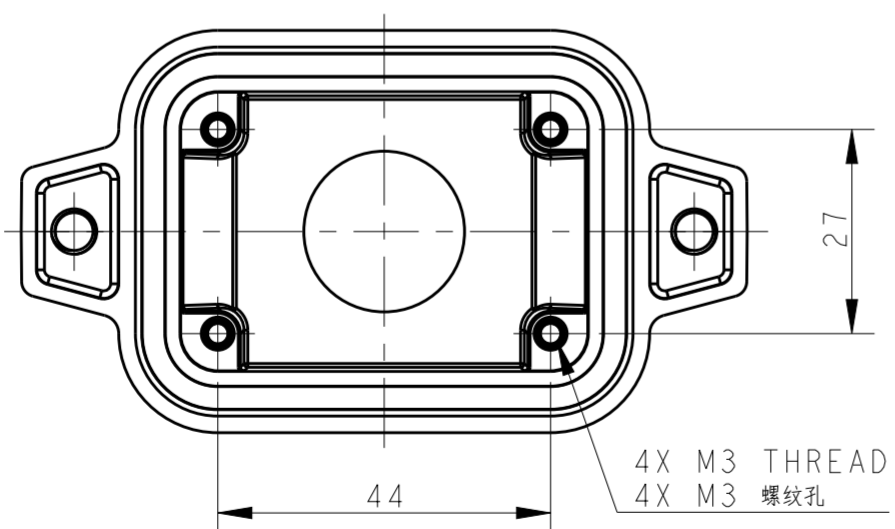
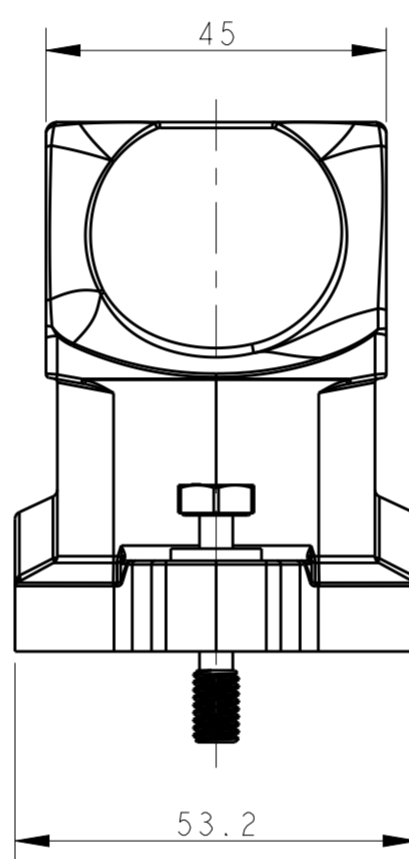
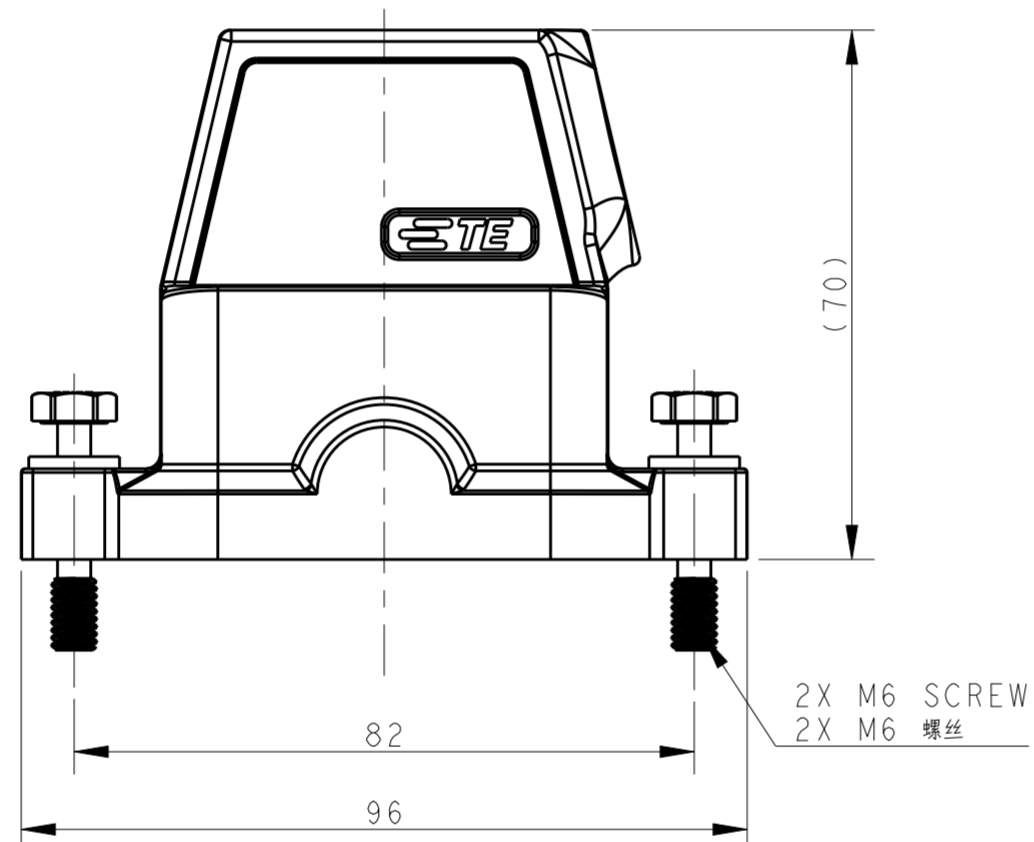
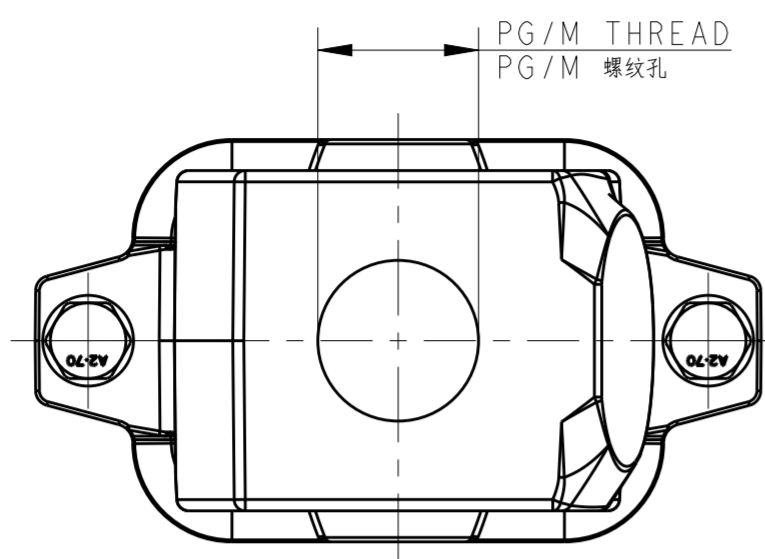


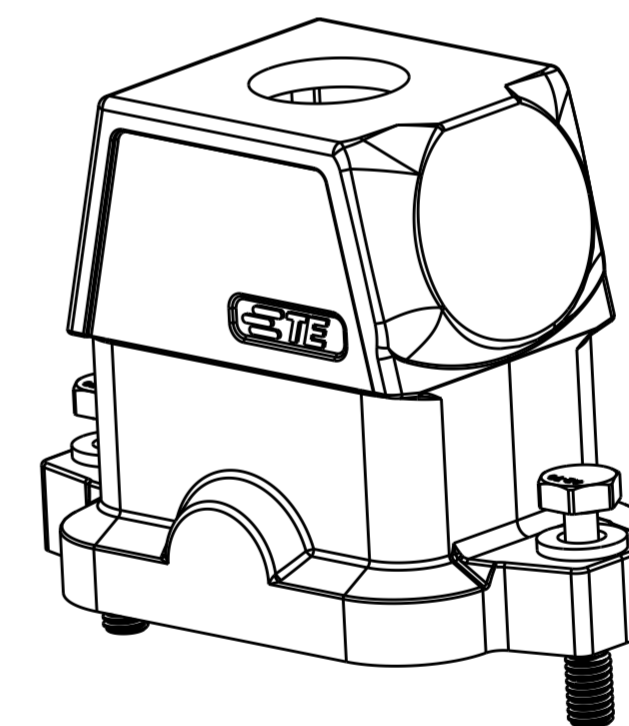
THIS DRAWING IS UNPUBLISHED. RELEASED FOR PUBLICATION 20  
 © COPYRIGHT 20 BY - ALL RIGHTS RESERVED.

REVISIONS				
P	LTR	DESCRIPTION	DATE	APVD
	A	INITIAL RELEASE	18OCT2016	DW CW



NOTES:  
 1. TECHNICAL CHARACTERISTICS:  
 HOOD MATERIAL: DIE CAST ALUMINIUM ALLOY  
 SURFACE TREATMENT: SEE TABLE  
 DEGREE OF PROTECTION: IP68 (MATED)

注释:  
 1. 技术参数:  
 壳体材料: 铝合金  
 表面处理: 见表格  
 防护等级: IP68 (配合)




THIS DRAWING IS A CONTROLLED DOCUMENT.		DWN DAVID WANG 18OCT2016	<b>STE</b> TE Connectivity	
		CHK CHRIS WANG 18OCT2016		
		APVD XIANG XU 18OCT2016	NAME H6BPR-TGHC-PG/M-EMC-C	
DIMENSIONS: mm		PRODUCT SPEC 108-137191	SIZE A2	CAGE CODE -
TOLERANCES UNLESS OTHERWISE SPECIFIED:		APPLICATION SPEC 114-137191	DRAWING NO. C-T192206XXXX009	RESTRICTED TO -
MATERIAL -		WEIGHT -	SCALE 1:1	SHEET 1 OF 2
		Customer Drawing		REV A

THIS DRAWING IS UNPUBLISHED. RELEASED FOR PUBLICATION 20  
 © COPYRIGHT 20 BY - ALL RIGHTS RESERVED.

REVISIONS				
P	LTR	DESCRIPTION	DATE	APVD
-		SEE SHEET 1	-	-

NOTES:  
SEE SHEET 1

T1922062132-009	H6BPR-TGHC-M32-EMC-C	H6BPR HOOD, CENTER LOCKING, TOP ENTRY M32, POWDER COATED, GREY H6BPR中部锁定顶出上壳M32 灰色	M32
T1922062129-009	H6BPR-TGHC-PG29-EMC-C	H6BPR HOOD, CENTER LOCKING, TOP ENTRY PG29, POWDER COATED, GREY H6BPR中部锁定顶出上壳PG29 灰色	PG29
T1922062125-009	H6BPR-TGHC-M25-EMC-C	H6BPR HOOD, CENTER LOCKING, TOP ENTRY M25, POWDER COATED, GREY H6BPR中部锁定顶出上壳M25 灰色	M25
T1922062121-009	H6BPR-TGHC-PG21-EMC-C	H6BPR HOOD, CENTER LOCKING, TOP ENTRY PG21, POWDER COATED, GREY H6BPR中部锁定顶出上壳PG21 灰色	PG21
T1922062120-009	H6BPR-TGHC-M20-EMC-C	H6BPR HOOD, CENTER LOCKING, TOP ENTRY M20, POWDER COATED, GREY H6BPR中部锁定顶出上壳M20 灰色	M20
T1922062116-009	H6BPR-TGHC-PG16-EMC-C	H6BPR HOOD, CENTER LOCKING, TOP ENTRY PG16, POWDER COATED, GREY H6BPR中部锁定顶出上壳PG16 灰色	PG16
T1922061132-009	H6BPR-TGHC-M32-EMC-C	H6BPR HOOD, CENTER LOCKING, TOP ENTRY M32, POWDER COATED, SILVER WHITE H6BPR中部锁定顶出上壳M32 银白色	M32
T1922061129-009	H6BPR-TGHC-PG29-EMC-C	H6BPR HOOD, CENTER LOCKING, TOP ENTRY PG29, POWDER COATED, SILVER WHITE H6BPR中部锁定顶出上壳PG29 银白色	PG29
T1922061125-009	H6BPR-TGHC-M25-EMC-C	H6BPR HOOD, CENTER LOCKING, TOP ENTRY M25, POWDER COATED, SILVER WHITE H6BPR中部锁定顶出上壳M25 银白色	M25
T1922061121-009	H6BPR-TGHC-PG21-EMC-C	H6BPR HOOD, CENTER LOCKING, TOP ENTRY PG21, POWDER COATED, SILVER WHITE H6BPR中部锁定顶出上壳PG21 银白色	PG21
T1922061120-009	H6BPR-TGHC-M20-EMC-C	H6BPR HOOD, CENTER LOCKING, TOP ENTRY M20, POWDER COATED, SILVER WHITE H6BPR中部锁定顶出上壳M20 银白色	M20
T1922061116-009	H6BPR-TGHC-PG16-EMC-C	H6BPR HOOD, CENTER LOCKING, TOP ENTRY PG16, POWDER COATED, SILVER WHITE H6BPR中部锁定顶出上壳PG16 银白色	PG16
T1922060132-009	H6BPR-TGHC-M32-EMC-C	H6BPR HOOD, CENTER LOCKING, TOP ENTRY M32, POWDER COATED, BLACK H6BPR中部锁定顶出上壳M32 黑色	M32
T1922060129-009	H6BPR-TGHC-PG29-EMC-C	H6BPR HOOD, CENTER LOCKING, TOP ENTRY PG29, POWDER COATED, BLACK H6BPR中部锁定顶出上壳PG29 黑色	PG29
T1922060125-009	H6BPR-TGHC-M25-EMC-C	H6BPR HOOD, CENTER LOCKING, TOP ENTRY M25, POWDER COATED, BLACK H6BPR中部锁定顶出上壳M25 黑色	M25
T1922060121-009	H6BPR-TGHC-PG21-EMC-C	H6BPR HOOD, CENTER LOCKING, TOP ENTRY PG21, POWDER COATED, BLACK H6BPR中部锁定顶出上壳PG21 黑色	PG21
T1922060120-009	H6BPR-TGHC-M20-EMC-C	H6BPR HOOD, CENTER LOCKING, TOP ENTRY M20, POWDER COATED, BLACK H6BPR中部锁定顶出上壳M20 黑色	M20
T1922060116-009	H6BPR-TGHC-PG16-EMC-C	H6BPR HOOD, CENTER LOCKING, TOP ENTRY PG16, POWDER COATED, BLACK H6BPR中部锁定顶出上壳PG16 黑色	PG16
PART NUMBER 料号	DESCRIPTION 描述		PG/M THREAD PG/M 螺纹

THIS DRAWING IS A CONTROLLED DOCUMENT.		DWN DAVID WANG 18OCT2016	 TE Connectivity	
		CHK CHRIS WANG 18OCT2016		
		APVD XIANG XU 18OCT2016	NAME H6BPR-TGHC-PG/M-EMC-C	
DIMENSIONS: mm		PRODUCT SPEC 108-137191	RESTRICTED TO	
TOLERANCES UNLESS OTHERWISE SPECIFIED:		APPLICATION SPEC 114-137191	SIZE A2	CAGE CODE -
0 PLC ±-		WEIGHT -	DRAWING NO. C-T192206XXXX009	REV A
1 PLC ±-		Customer Drawing	SCALE 1:1	SHEET 2 OF 2
2 PLC ±-				
3 PLC ±-				
4 PLC ±-				
ANGLES ±-				
FINISH -				
MATERIAL -				

## X-ON Electronics

Largest Supplier of Electrical and Electronic Components

*Click to view similar products for [Heavy Duty Power Connectors](#) category:*

*Click to view products by [TE Connectivity](#) manufacturer:*

Other Similar products are found below :

[1424439](#) [1424438](#) [09330062652](#) [2-8675P1](#) [605601-1](#) [6340G1](#) [6341G1](#) [6360G1](#) [6373G1](#) [6374g2](#) [6396G1](#) [647757-1](#) [66394-4](#) [6643411-1](#)  
[6646058-2](#) [6646137-1](#) [6646138-1](#) [6646348-1](#) [6646479-1](#) [6646608-1](#) [6646786-1](#) [6646940-1](#) [6651091-1](#) [6651525-1](#) [6651529-1](#) [6651778-1](#)  
[6651788-1](#) [696465-1](#) [696475-1](#) [73000005059](#) [73000005349](#) [73000005642](#) [73080255059](#) [73080965046](#) [765-15-0080A](#) [765-16-0080B](#)  
[789.700-44](#) [789.700-54](#) [80-1010](#) [80-9](#) [827381-1](#) [829992-1](#) [902-77-02113](#) [PL00U-301-10D10](#) [PM103MOOLOO](#) [PM16S1620S32-50](#)  
[PM212MOOLOO](#) [PM309FOOLOO](#) [PM324FOOLCH](#) [PMHPAF11S03](#)