

THIS DRAWING IS UNPUBLISHED.

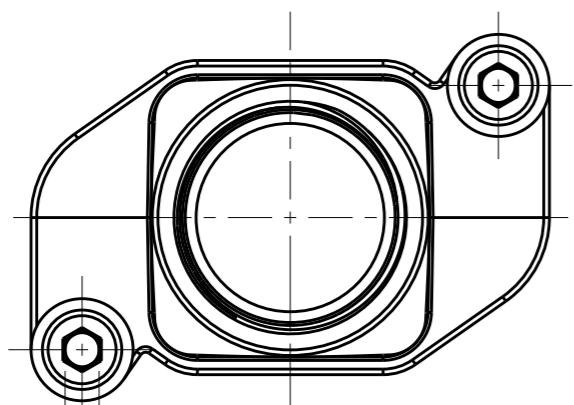
RELEASED FOR PUBLICATION

20

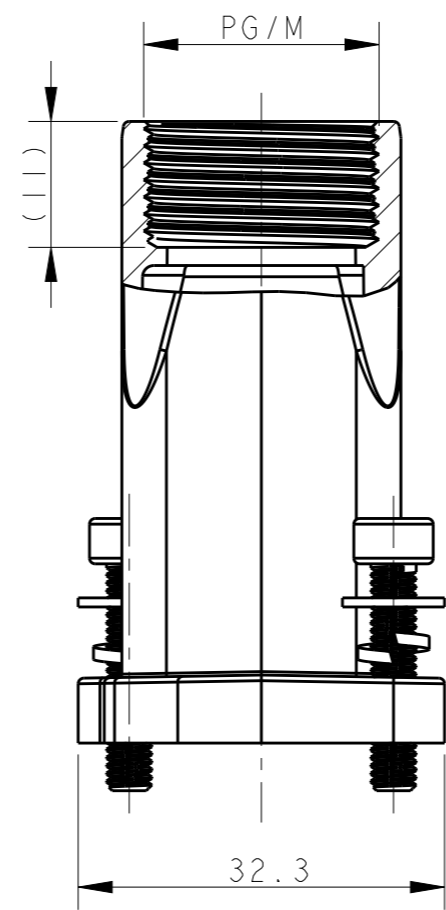
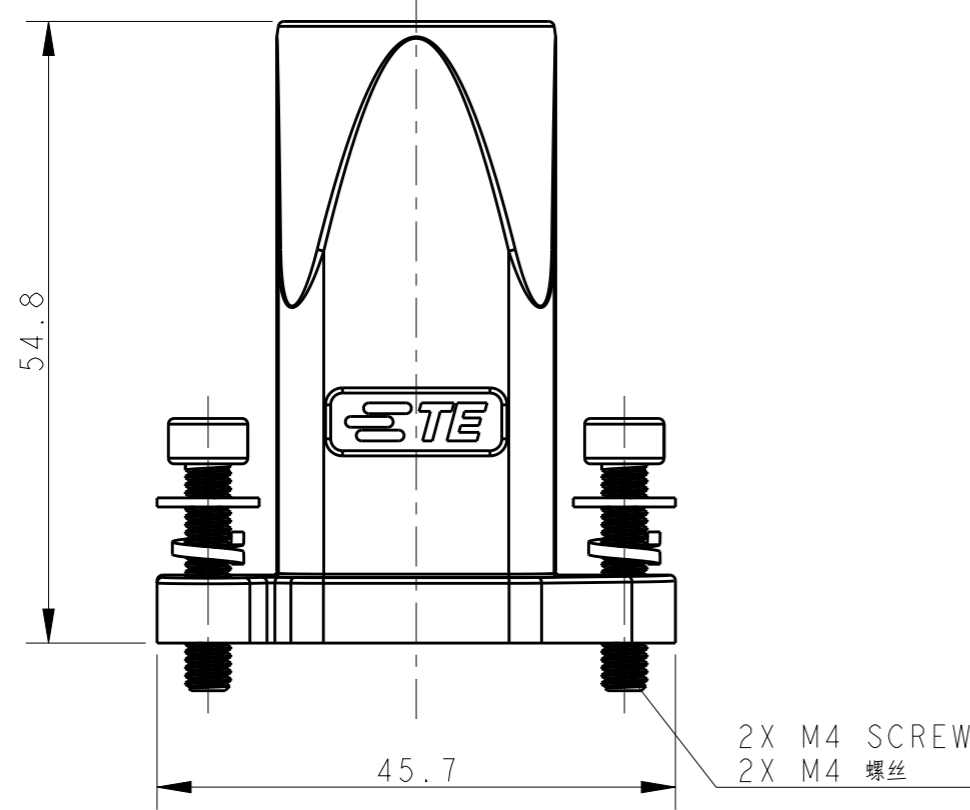
© COPYRIGHT 20 BY - ALL RIGHTS RESERVED.

REVISIONS

P	LTR	DESCRIPTION	DATE	DWN	APVD
	A	INITIAL RELEASE	27SEP2016	DW	CW
	B	ECR-17-011260		DW	CW



SW3

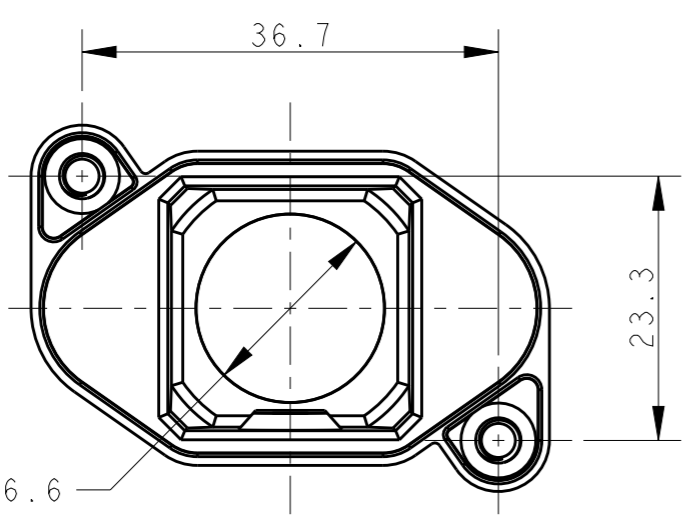
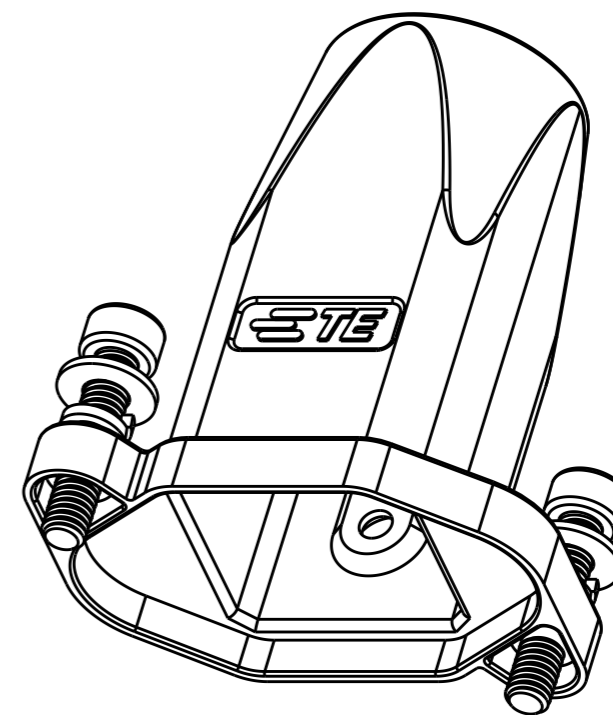



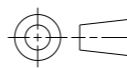
NOTES:

- 1. TECHNICAL CHARACTERISTICS:
HOOD MATERIAL: DIE CAST ZINC ALLOY
SURFACE: SEE TABLE
DEGREE OF PROTECTION: IP68 (MATED)

注释:

- 1. 技术参数:
壳体材料: 锌合金
表面处理: 见表格
防护等级: IP68(配合)




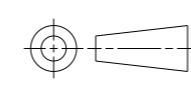
THIS DRAWING IS A CONTROLLED DOCUMENT.		DWN 27SEP2016 DAVID WANG	 TE Connectivity	
		CHK 27SEP2016 CHRIS WANG		
		APVD 27SEP2016 XIANG XU	NAME H3APR-MTGSW-PG/M-EMC-C	
DIMENSIONS: mm		TOLERANCES UNLESS OTHERWISE SPECIFIED:		PRODUCT SPEC 108-137187
		0 PLC ±- 1 PLC ±- 2 PLC ±- 3 PLC ±- 4 PLC ±- ANGLES ±-		APPLICATION SPEC 114-137187
MATERIAL		FINISH		WEIGHT
-		-		-
CUSTOMER DRAWING			SIZE A3	RESTRICTED TO
			CAGE CODE -	DRAWING NO. C-T192703XXXX009
			SCALE 3:2	SHEET 1 OF 2
				REV B

THIS DRAWING IS UNPUBLISHED. RELEASED FOR PUBLICATION 20
 © COPYRIGHT 20 BY - ALL RIGHTS RESERVED.

REVISIONS				
P	LTR	DESCRIPTION	DATE	APVD
-		SEE SHEET 1	-	-

NOTES:
SEE SHEET 1

	T1927032120-009	H3APR-MTGSW-M20-EMC-C	H3APR HOOD, DIAGONAL INNER-HEX SCREW LOCKING, TOP ENTRY M20 POWDER COATED, GREY H3APR 内六角螺丝对角锁定顶出上壳M20 灰色	M20
OBSOLETE	T1927032116-009	H3APR-MTGSW-PG16-EMC-C	H3APR HOOD, DIAGONAL INNER-HEX SCREW LOCKING, TOP ENTRY PG16 POWDER COATED, GREY H3APR 内六角螺丝对角锁定顶出上壳PG16 灰色	PG16
	T1927032113-009	H3APR-MTGSW-PG13.5-EMC-C	H3APR HOOD, DIAGONAL INNER-HEX SCREW LOCKING, TOP ENTRY PG13.5 POWDER COATED, GREY H3APR 内六角螺丝对角锁定顶出上壳PG13.5 灰色	PG13.5
	T1927031120-009	H3APR-MTGSW-M20-EMC-C	H3APR HOOD, DIAGONAL INNER-HEX SCREW LOCKING, TOP ENTRY M20 POWDER COATED SILVER WHITE H3APR 内六角螺丝对角锁定顶出上壳M20 银白色	M20
OBSOLETE	T1927031116-009	H3APR-MTGSW-PG16-EMC-C	H3APR HOOD, DIAGONAL INNER-HEX SCREW LOCKING, TOP ENTRY PG16 POWDER COATED SILVER WHITE H3APR 内六角螺丝对角锁定顶出上壳PG16 银白色	PG16
	T1927031113-009	H3APR-MTGSW-PG13.5-EMC-C	H3APR HOOD, DIAGONAL INNER-HEX SCREW LOCKING, TOP ENTRY PG13.5 POWDER COATED SILVER WHITE H3APR 内六角螺丝对角锁定顶出上壳PG13.5 银白色	PG13.5
	T1927030120-009	H3APR-MTGSW-M20-EMC-C	H3APR HOOD, DIAGONAL INNER-HEX SCREW LOCKING, TOP ENTRY M20 POWDER COATED, BLACK H3APR 内六角螺丝对角锁定顶出上壳M20 黑色	M20
OBSOLETE	T1927030116-009	H3APR-MTGSW-PG16-EMC-C	H3APR HOOD, DIAGONAL INNER-HEX SCREW LOCKING, TOP ENTRY PG16 POWDER COATED, BLACK H3APR 内六角螺丝对角锁定顶出上壳PG16 黑色	PG16
	T1927030113-009	H3APR-MTGSW-PG13.5-EMC-C	H3APR HOOD, DIAGONAL INNER-HEX SCREW LOCKING, TOP ENTRY PG13.5 POWDER COATED, BLACK H3APR 内六角螺丝对角锁定顶出上壳PG13.5 黑色	PG13.5
	PART NUMBER 料号	PART DESCRIPTION 描述		PG/M THREAD PG/M 螺纹

THIS DRAWING IS A CONTROLLED DOCUMENT.		DWN 27SEP2016 DAVID WANG	 TE Connectivity	
		CHK 27SEP2016 CHRIS WANG		
		APVD 27SEP2016 XIANG XU	NAME H3APR-MTGSW-PG/M-EMC-C	
DIMENSIONS: mm 		PRODUCT SPEC 108-137187	RESTRICTED TO	
TOLERANCES UNLESS OTHERWISE SPECIFIED: 0 PLC ±- 1 PLC ±- 2 PLC ±- 3 PLC ±- 4 PLC ±- ANGLES ±-		APPLICATION SPEC 114-137187	SIZE A3	CAGE CODE -
MATERIAL -		FINISH -	DRAWING NO C-T192703XXXX009	SCALE 3:2
		WEIGHT -	SHEET 2 OF 2	REV B
		CUSTOMER DRAWING		

X-ON Electronics

Largest Supplier of Electrical and Electronic Components

Click to view similar products for [Heavy Duty Power Connectors](#) category:

Click to view products by [TE Connectivity](#) manufacturer:

Other Similar products are found below :

[1424439](#) [1424438](#) [09330062652](#) [2-8675P1](#) [605601-1](#) [6340G1](#) [6341G1](#) [6360G1](#) [6373G1](#) [6374g2](#) [6396G1](#) [647757-1](#) [66394-4](#) [6643411-1](#)
[6646058-2](#) [6646137-1](#) [6646138-1](#) [6646348-1](#) [6646479-1](#) [6646608-1](#) [6646786-1](#) [6646940-1](#) [6651091-1](#) [6651525-1](#) [6651529-1](#) [6651778-1](#)
[6651788-1](#) [696465-1](#) [696475-1](#) [73000005059](#) [73000005349](#) [73000005642](#) [73080255059](#) [73080965046](#) [765-15-0080A](#) [765-16-0080B](#)
[789.700-44](#) [789.700-54](#) [80-1010](#) [80-9](#) [827381-1](#) [829992-1](#) [902-77-02113](#) [PL00U-301-10D10](#) [PM103MOOLOO](#) [PM16S1620S32-50](#)
[PM212MOOLOO](#) [PM309FOOLOO](#) [PM324FOOLCH](#) [PMHPAF11S03](#)