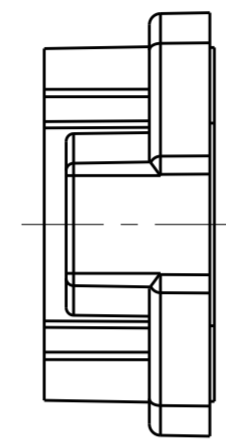
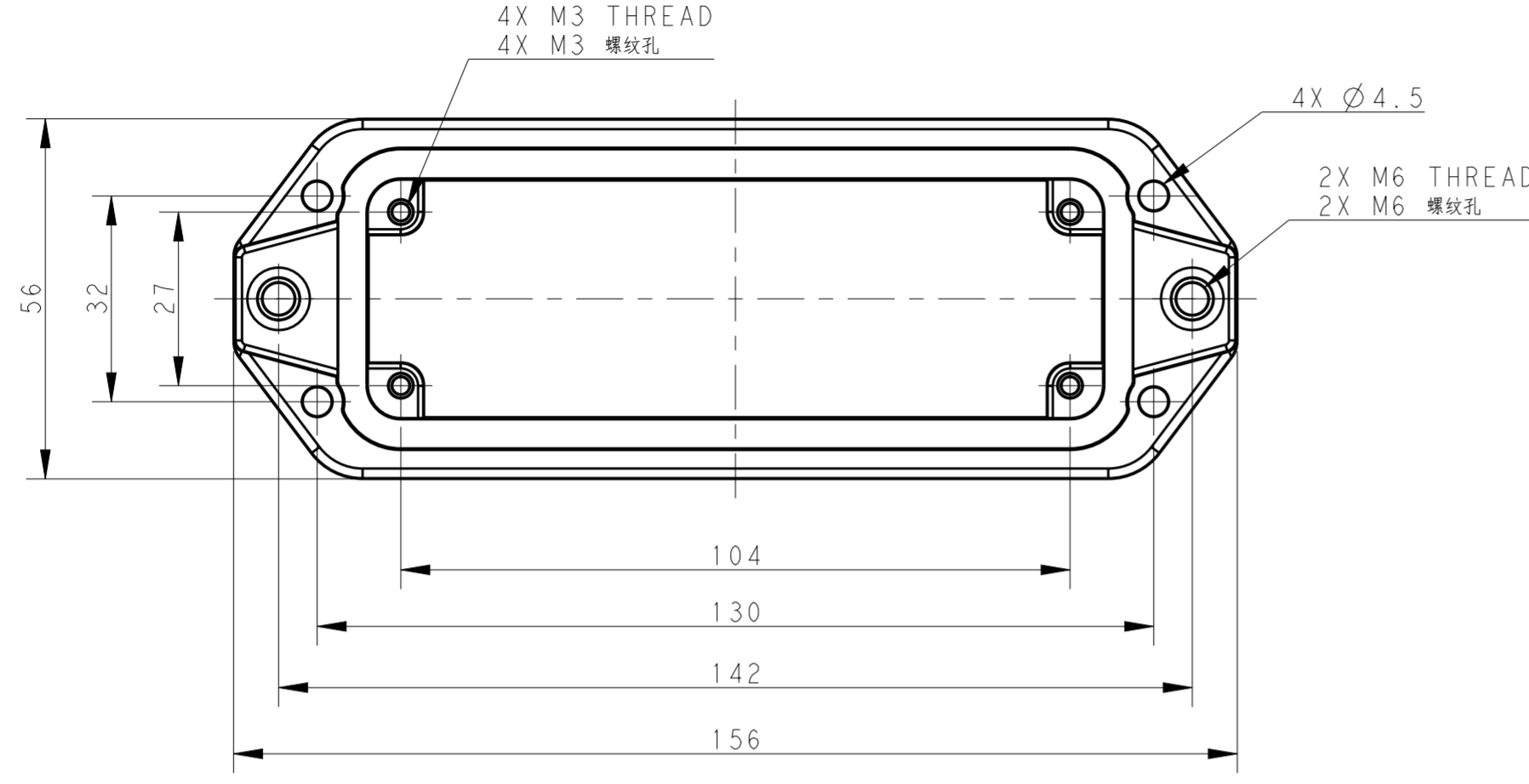


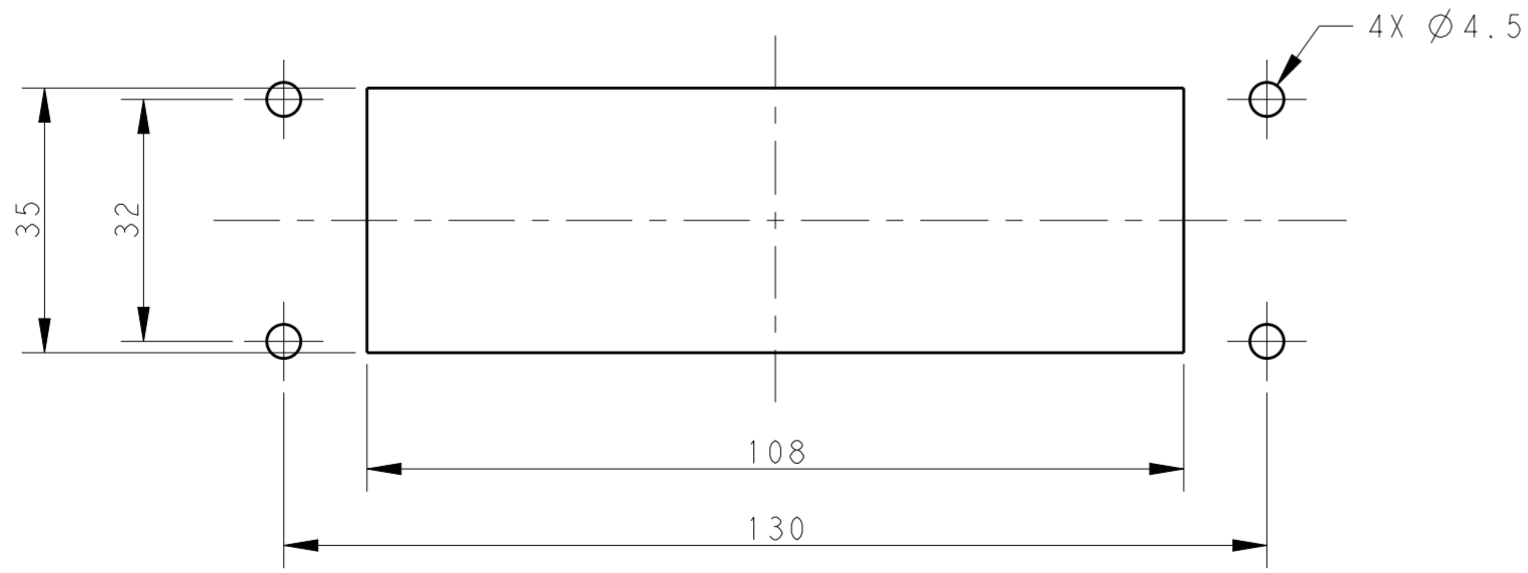
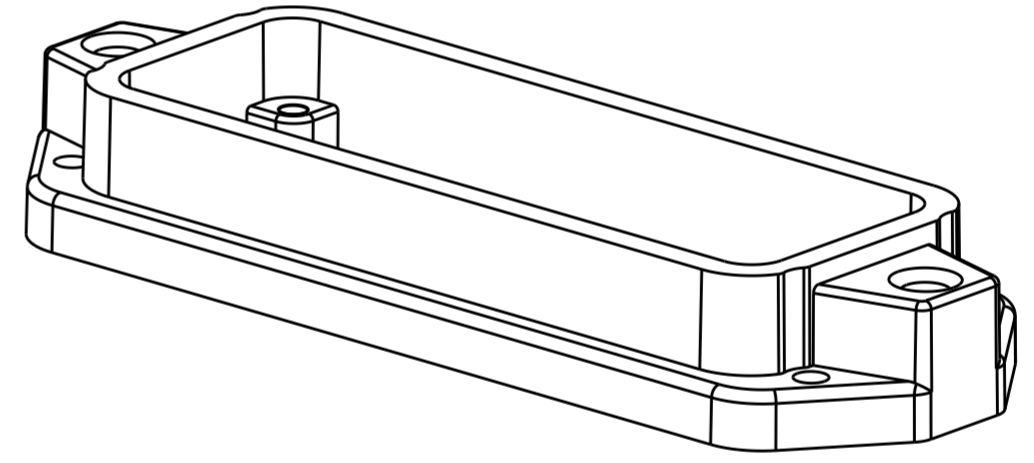
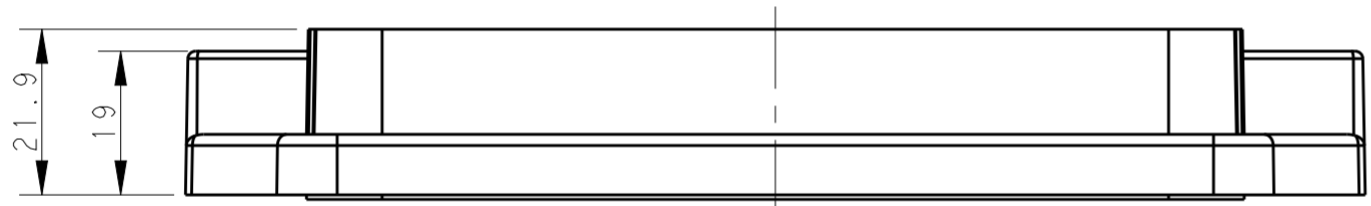
THIS DRAWING IS UNPUBLISHED. RELEASED FOR PUBLICATION 20  
 © COPYRIGHT 20 BY - ALL RIGHTS RESERVED.

REVISIONS				
P	LTR	DESCRIPTION	DATE	APVD
	A	INITIAL RELEASE	15JUN2016	DW CW



NOTES:  
 1. TECHNICAL CHARACTERISTICS:  
 HOUSING MATERIAL: DIE CAST ALUMINIUM ALLOY  
 SURFACE : SEE TABLE  
 DEGREE OF PROTECTION: IP68 (MATED)

注释  
 1. 技术参数:  
 壳体材料: 铝合金  
 表面处理: 见表格  
 防护等级: IP68 (配合)



Panel Cut Out  
 面板开口尺寸

T1932242000-009	H24BPR-AGC-EMC-C H24BPR HOUSING, CENTER LOCKING, BULKHEAD MOUNTED, POWDER COATED, GREY H24BPR中部锁定开孔下壳 灰色
T1932241000-009	H24BPR-AGC-EMC-C H24BPR HOUSING, CENTER LOCKING, BULKHEAD MOUNTED, POWDER COATED, SILVER WHITE H24BPR中部锁定开孔下壳 银白色
T1932240000-009	H24BPR-AGC-EMC-C H24BPR HOUSING, CENTER LOCKING, BULKHEAD MOUNTED, POWDER COATED, BLACK H24BPR中部锁定开孔下壳 黑色
PART NUMBER 料号	DESCRIPTION 描述

THIS DRAWING IS A CONTROLLED DOCUMENT.		DWN DAVID WANG 15JUN2016	TE Connectivity	
		CHK CHRIS WANG 15JUN2016		
		APVD XIANG XU 15JUN2016	NAME H24BPR-AGC-EMC-C	
DIMENSIONS: mm		PRODUCT SPEC 108-137191	SIZE A2	
TOLERANCES UNLESS OTHERWISE SPECIFIED:		APPLICATION SPEC 114-137191	CAGE CODE -	DRAWING NO. C-T193224XXXXX09
MATERIAL -		WEIGHT -	SCALE 1:1	SHEET 1 OF 1
FINISH -		CUSTOMER DRAWING	RESTRICTED TO -	REV A

## X-ON Electronics

Largest Supplier of Electrical and Electronic Components

*Click to view similar products for [Heavy Duty Power Connectors](#) category:*

*Click to view products by [TE Connectivity](#) manufacturer:*

Other Similar products are found below :

[1424439](#) [1424438](#) [09330062652](#) [2-8675P1](#) [605601-1](#) [6340G1](#) [6341G1](#) [6360G1](#) [6373G1](#) [6374g2](#) [6396G1](#) [647757-1](#) [66394-4](#) [6643411-1](#)  
[6646058-2](#) [6646137-1](#) [6646138-1](#) [6646348-1](#) [6646479-1](#) [6646608-1](#) [6646786-1](#) [6646940-1](#) [6651091-1](#) [6651525-1](#) [6651529-1](#) [6651778-1](#)  
[6651788-1](#) [696465-1](#) [696475-1](#) [73000005059](#) [73000005349](#) [73000005642](#) [73080255059](#) [73080965046](#) [765-15-0080A](#) [765-16-0080B](#)  
[789.700-44](#) [789.700-54](#) [80-1010](#) [80-9](#) [827381-1](#) [829992-1](#) [902-77-02113](#) [PL00U-301-10D10](#) [PM103MOOLOO](#) [PM16S1620S32-50](#)  
[PM212MOOLOO](#) [PM309FOOLOO](#) [PM324FOOLCH](#) [PMHPAF11S03](#)