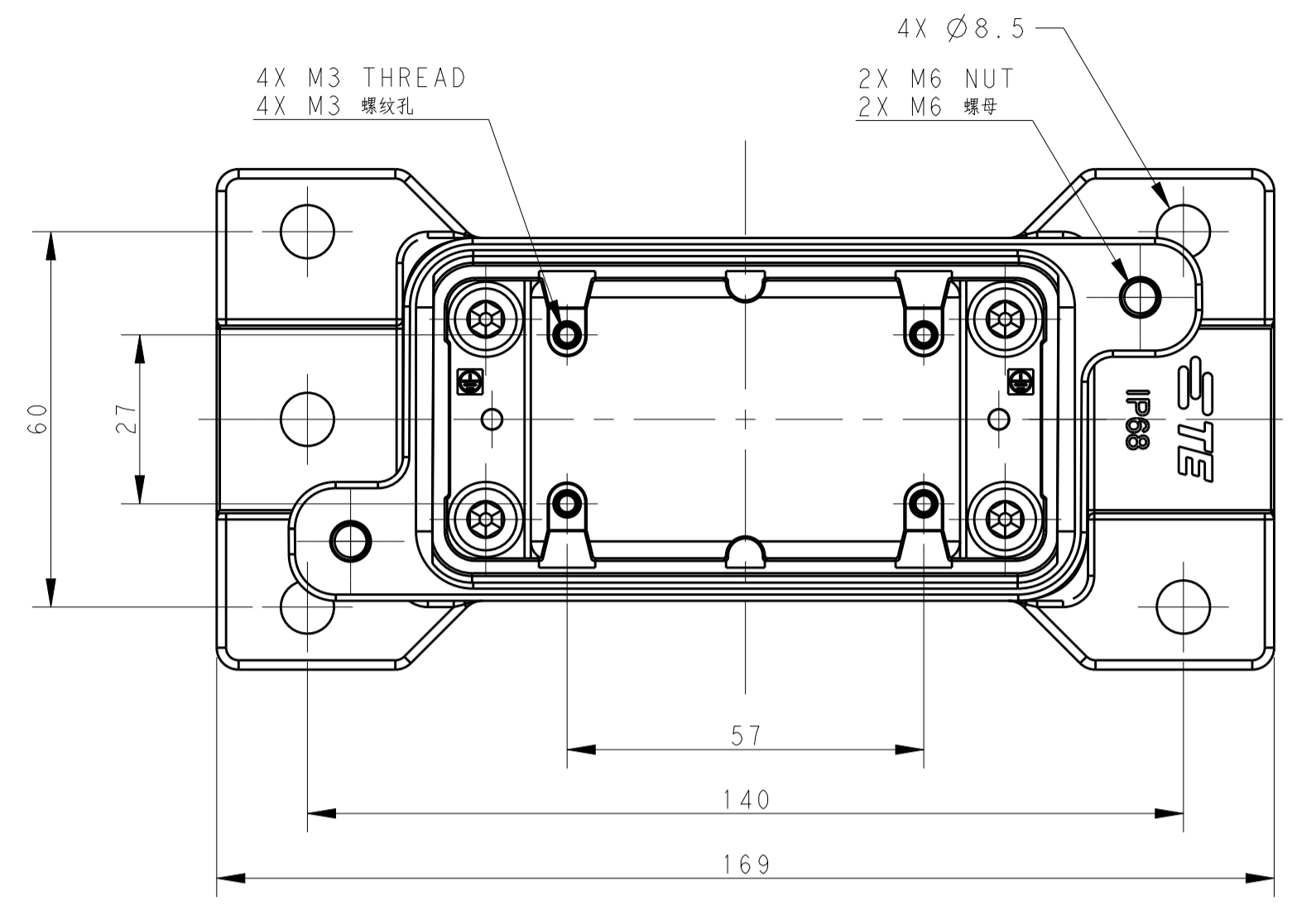
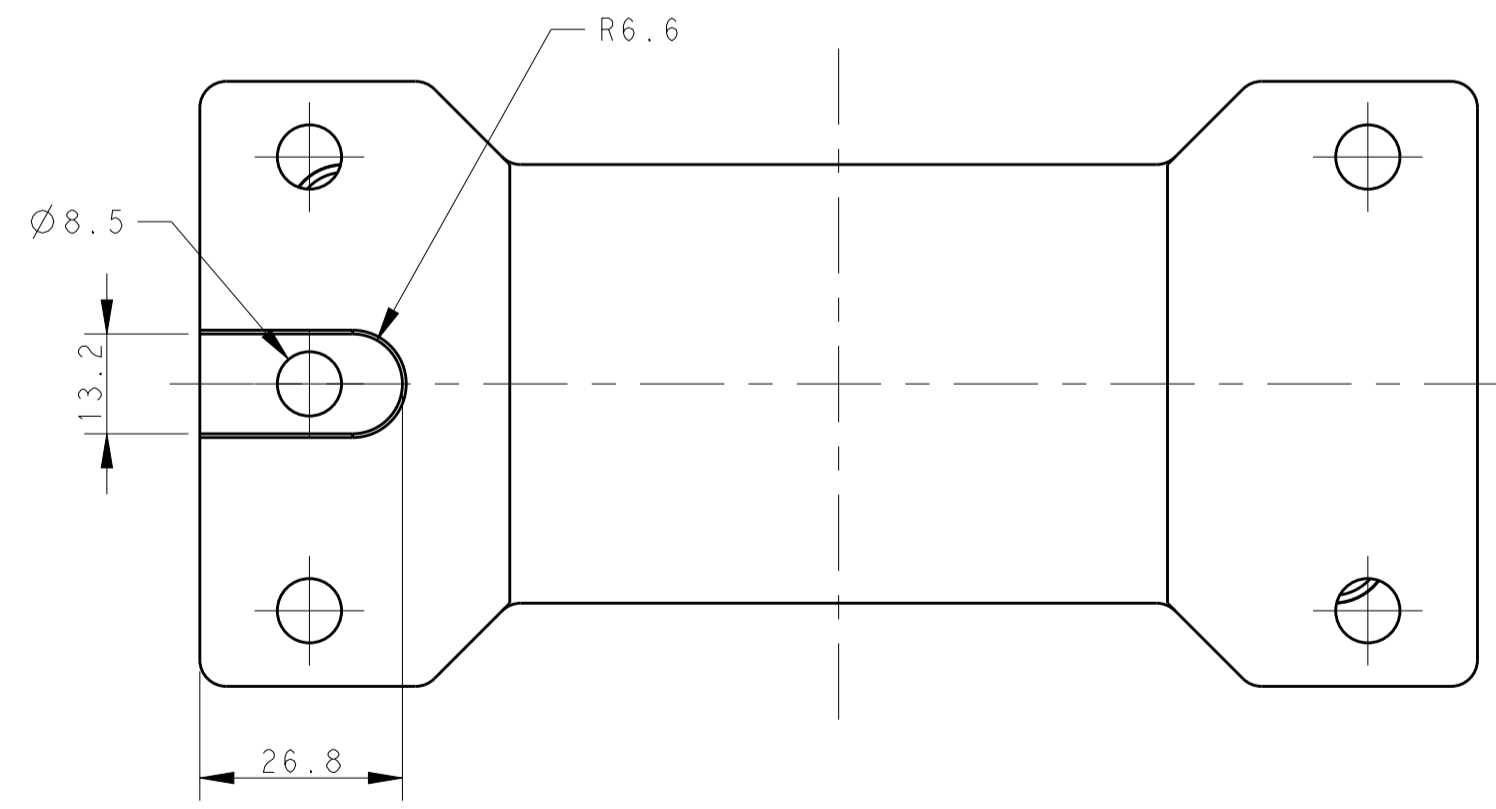
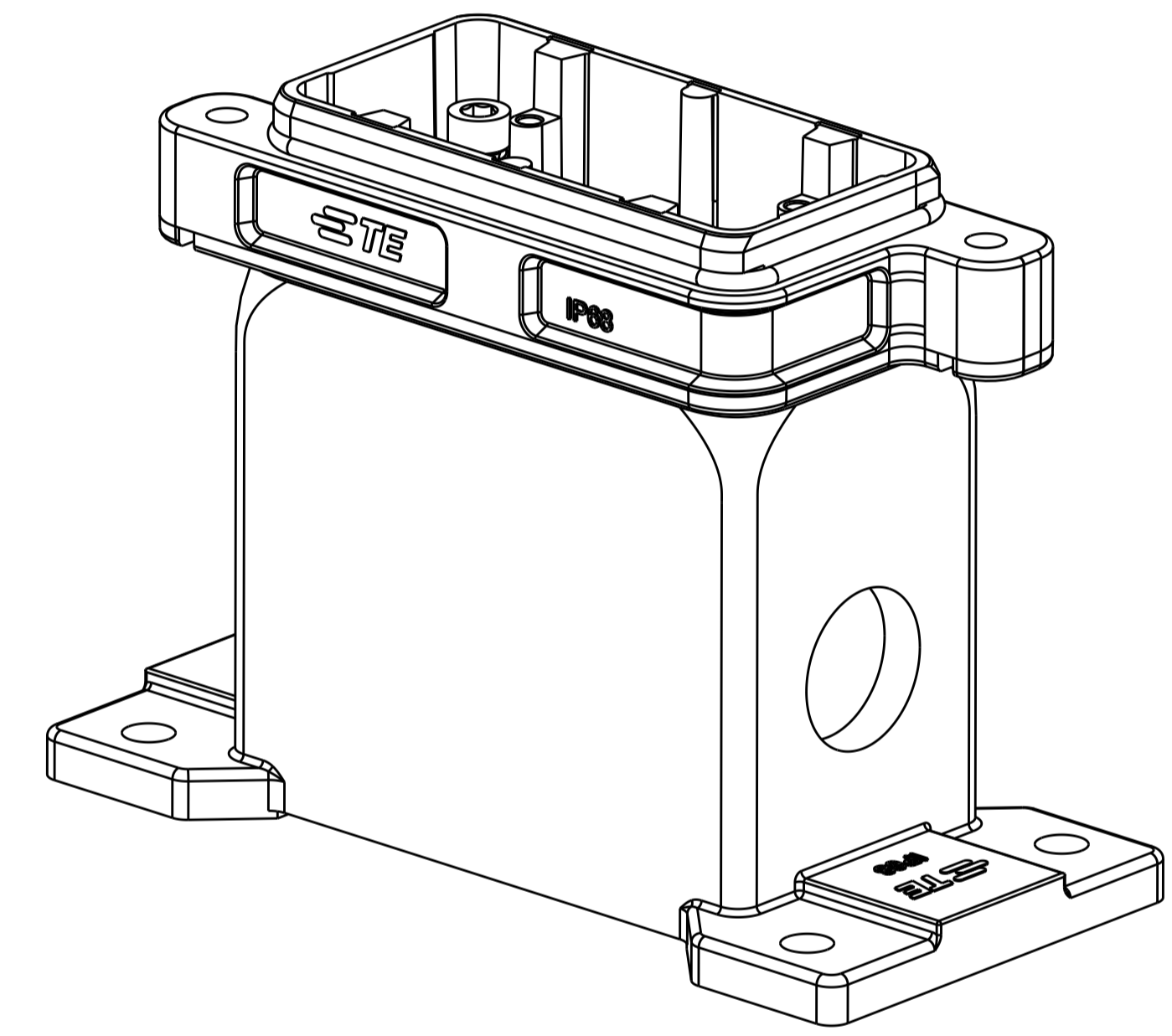
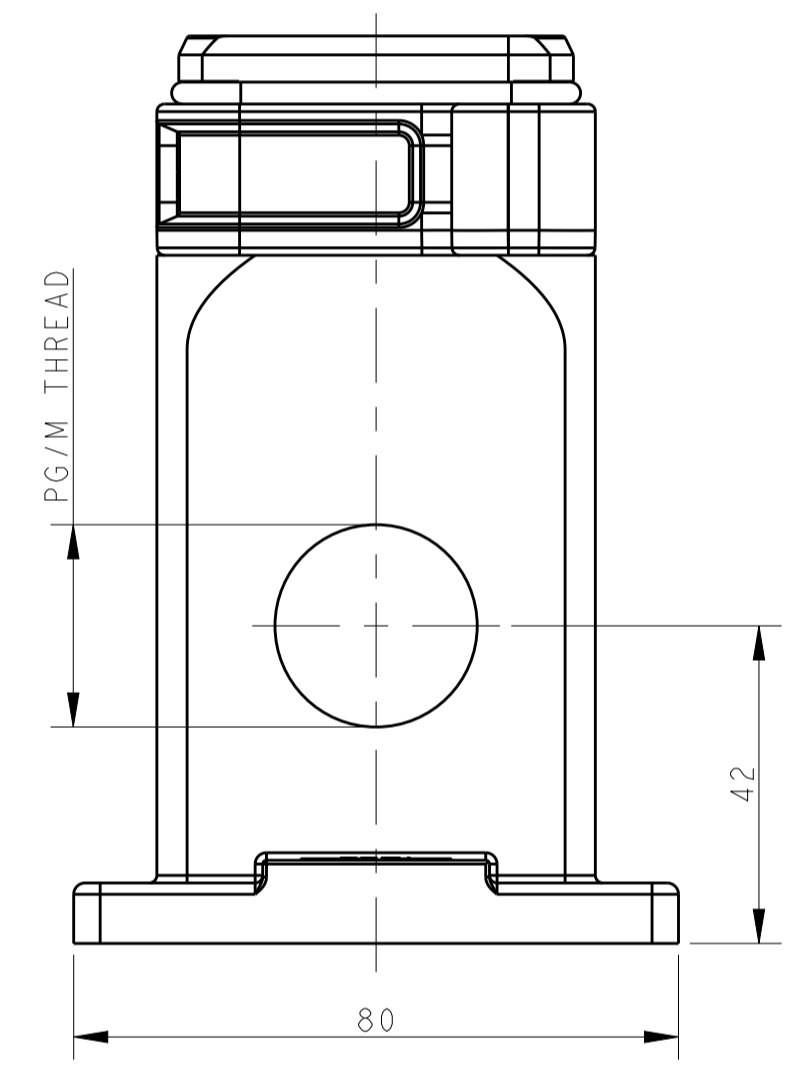
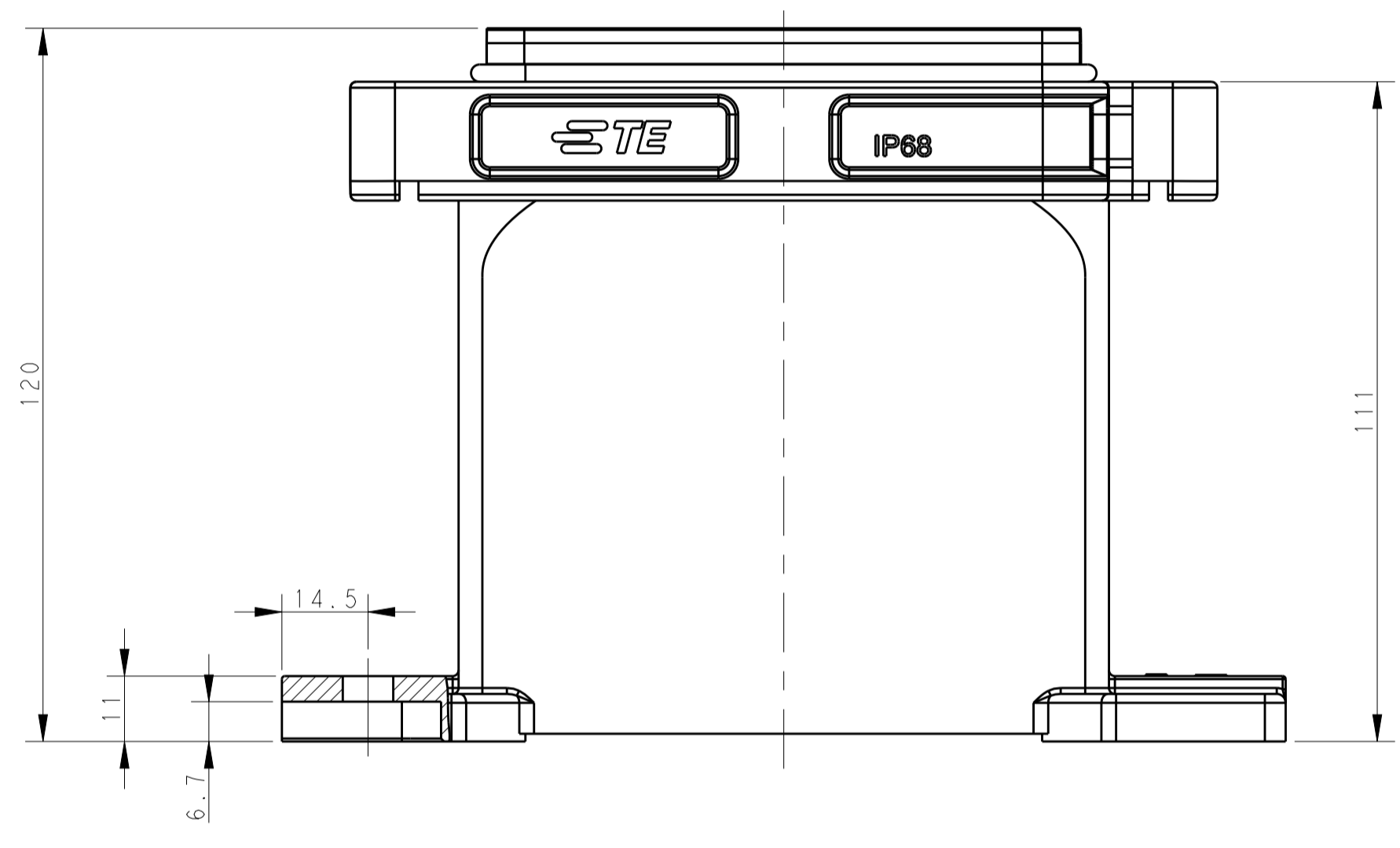


REVISIONS				
P	LTN	DESCRIPTION	DATE	OWN APVD
A		INITIAL RELEASE	19SEP2016	DW CW



NOTES:
 1. TECHNICAL CHARACTERISTICS:
 HOUSING MATERIAL: DIE CAST ALUMINIUM ALLOY
 SURFACE TREATMENT: SEE TABLE
 DEGREE OF PROTECTION: IP68 (MATED)

注释:
 1. 技术参数:
 壳体材料: 铝合金
 表面处理: 见表格
 防护等级: IP68 (配合)



T1950100132-009	H10BPR-SGRH-M32-EMC-C	H10BPR HOUSING, DIAGONAL LOCKING, SURFACE MOUNTED, SIDE ENTRY M32 POWDER COATED, BLACK / H10BPR 对角锁定表面下壳M32 黑色	M32
T1950100129-009	H10BPR-SGRH-PG29-EMC-C	H10BPR HOUSING, DIAGONAL LOCKING, SURFACE MOUNTED, SIDE ENTRY PG29 POWDER COATED, BLACK / H10BPR 对角锁定表面下壳PG29 黑色	PG29
T1950100125-009	H10BPR-SGRH-M25-EMC-C	H10BPR HOUSING, DIAGONAL LOCKING, SURFACE MOUNTED, SIDE ENTRY M25 POWDER COATED, BLACK / H10BPR 对角锁定表面下壳M25 黑色	M25
T1950100121-009	H10BPR-SGRH-PG21-EMC-C	H10BPR HOUSING, DIAGONAL LOCKING, SURFACE MOUNTED, SIDE ENTRY PG21 POWDER COATED, BLACK / H10BPR 对角锁定表面下壳PG21 黑色	PG21
PART NUMBER 料号	PART DESCRIPTION 描述		PG/M THREAD PG/M 螺紋

THIS DRAWING IS A CONTROLLED DOCUMENT.		OWN: DAVID WANG 19SEP2016	TE Connectivity NAME: H10BPR-SGRH-PG/M-EMC-C
DIMENSIONS: mm		CHK: Chris.Wong 19SEP2016	
TOLERANCES UNLESS OTHERWISE SPECIFIED:		APVD: Yiqiang Yu 19SEP2016	
0 PLC ± 2 PLC ± 3 PLC ± 4 PLC ± ANGLES ± FINISH ±		PRODUCT SPEC: 108-137191 APPLICATION SPEC: 114-137191 WEIGHT: - CUSTOMER DRAWING	
MATERIAL: -		SIZE: A1	RESTRICTED TO: - SCALE: 1:1 SHEET: 1 OF 1 REV: A

X-ON Electronics

Largest Supplier of Electrical and Electronic Components

Click to view similar products for [Heavy Duty Power Connectors](#) category:

Click to view products by [TE Connectivity](#) manufacturer:

Other Similar products are found below :

[1424439](#) [1424438](#) [09330062652](#) [2-8675P1](#) [605601-1](#) [6340G1](#) [6341G1](#) [6360G1](#) [6373G1](#) [6374g2](#) [6396G1](#) [647757-1](#) [66394-4](#) [6643411-1](#)
[6646058-2](#) [6646137-1](#) [6646138-1](#) [6646348-1](#) [6646479-1](#) [6646608-1](#) [6646786-1](#) [6646940-1](#) [6651091-1](#) [6651525-1](#) [6651529-1](#) [6651778-1](#)
[6651788-1](#) [696465-1](#) [696475-1](#) [73000005059](#) [73000005349](#) [73000005642](#) [73080255059](#) [73080965046](#) [765-15-0080A](#) [765-16-0080B](#)
[789.700-44](#) [789.700-54](#) [80-1010](#) [80-9](#) [827381-1](#) [829992-1](#) [902-77-02113](#) [PL00U-301-10D10](#) [PM103MOOLOO](#) [PM16S1620S32-50](#)
[PM212MOOLOO](#) [PM309FOOLOO](#) [PM324FOOLCH](#) [PMHPAF11S03](#)