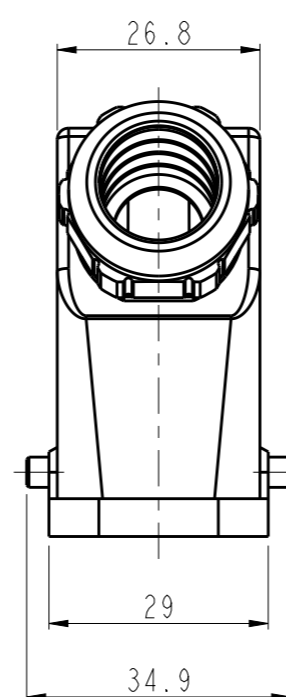
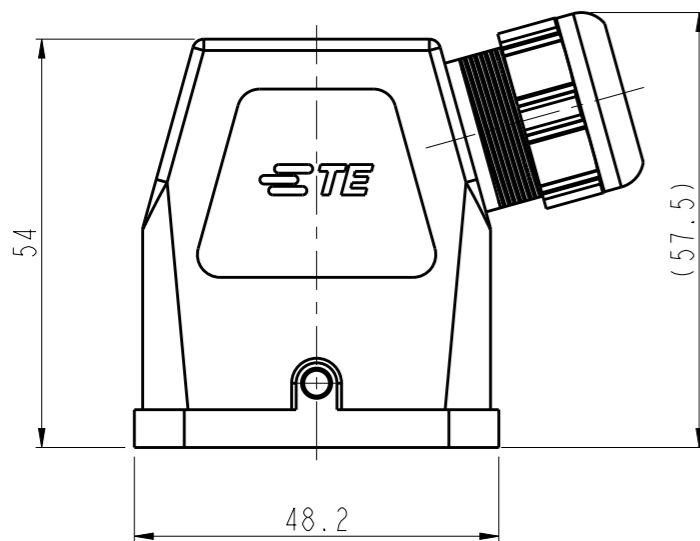


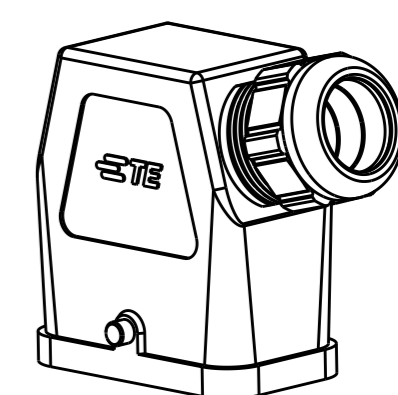
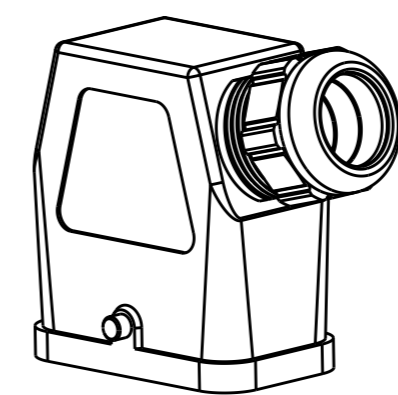
THIS DRAWING IS UNPUBLISHED. RELEASED FOR PUBLICATION 20  
 © COPYRIGHT 20 BY - ALL RIGHTS RESERVED.

REVISIONS					
P	LTR	DESCRIPTION	DATE	DWN	APVD
	A	INITIAL	08JUL2017	QY	CW
	A1	ECR-18-000639	17JAN2018	QY	CW
	A2	ECR-18-011761	10AUG2018	AL	CW

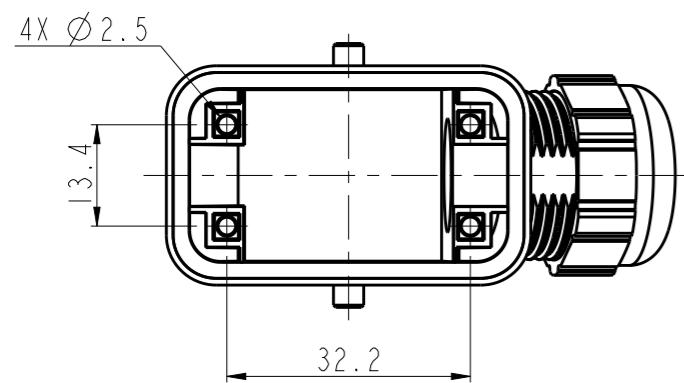


NOTES:  
 1. TECHNICAL CHARACTERISTICS:  
 HOOD MATERIAL: POLYAMIDES  
 SURFACE COLOR: BLACK  
 DEGREE OF PROTECTION: IP65 (MATED)


注释:  
 1. 技术参数:  
 外壳材料: 尼龙  
 颜色: 黑色  
 防护等级: IP65(配合)



TYPE-2: NO LOGO  
 类型-2: 无 LOGO  
 ALL THE DIMENSION ARE THE SAME WITH TYPE-1,  
 EXCEPT THE LOGO.  
 除了LOGO, 所有尺寸与类型-1一致.



T1359090116-002	H8A-TS-PG16	H8A PLASTIC HOOD, SIDE ENTRY PG16, 2 EAR, BLACK(11.5-15.5) NO LOGO H8A 塑料上壳, 侧出PG16, 2耳, 黑色(11.5-15.5), 无LOGO	TYPE-2 类型-1
T1359090116-000	H8A-TS-PG16	H8A PLASTIC HOOD, SIDE ENTRY PG16, 2 EAR, BLACK(11.5-15.5) H8A 塑料上壳, 侧出PG16, 2耳, 黑色(11.5-15.5)	TYPE-1 类型-1
PART NUMBER 料号	PART DESCRIPTION 描述		TYPE 类型

THIS DRAWING IS A CONTROLLED DOCUMENT.		DWN 08JUL2017 QIANG YUAN	 TE Connectivity	
DIMENSIONS: mm		CHK 08JUL2017 GINO YAO		
TOLERANCES UNLESS OTHERWISE SPECIFIED: ACC. to ISO 2768-M		APVD 08JUL2017 CHRIS WANG	NAME H8A-TS-PG16	
0 PLC ±- 1 PLC ±- 2 PLC ±- 3 PLC ±- 4 PLC ±- ANGLES ±		PRODUCT SPEC 108-137137	RESTRICTED TO	
MATERIAL		APPLICATION SPEC 114-137137	SIZE A3	CAGE CODE 00779
FINISH		WEIGHT	DRAWING NO C-T1359090116000	
		CUSTOMER DRAWING	SCALE 1:1	
			SHEET 1 OF 1	
			REV A2	

## X-ON Electronics

Largest Supplier of Electrical and Electronic Components

*Click to view similar products for [Heavy Duty Power Connectors](#) category:*

*Click to view products by [TE Connectivity](#) manufacturer:*

Other Similar products are found below :

[1424439](#) [1424438](#) [09330062652](#) [2-8675P1](#) [605601-1](#) [6340G1](#) [6341G1](#) [6360G1](#) [6373G1](#) [6374g2](#) [6396G1](#) [647757-1](#) [66394-4](#) [6643411-1](#)  
[6646058-2](#) [6646137-1](#) [6646138-1](#) [6646348-1](#) [6646479-1](#) [6646608-1](#) [6646786-1](#) [6646940-1](#) [6651091-1](#) [6651525-1](#) [6651529-1](#) [6651778-1](#)  
[6651788-1](#) [696465-1](#) [696475-1](#) [73000005059](#) [73000005349](#) [73000005642](#) [73080255059](#) [73080965046](#) [765-15-0080A](#) [765-16-0080B](#)  
[789.700-44](#) [789.700-54](#) [80-1010](#) [80-9](#) [827381-1](#) [829992-1](#) [902-77-02113](#) [PL00U-301-10D10](#) [PM103MOOLOO](#) [PM16S1620S32-50](#)  
[PM212MOOLOO](#) [PM309FOOLOO](#) [PM324FOOLCH](#) [PMHPAF11S03](#)