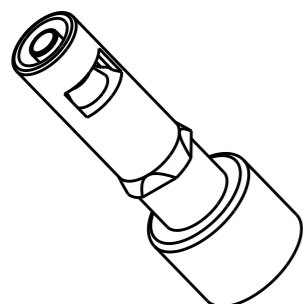


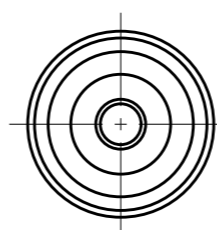
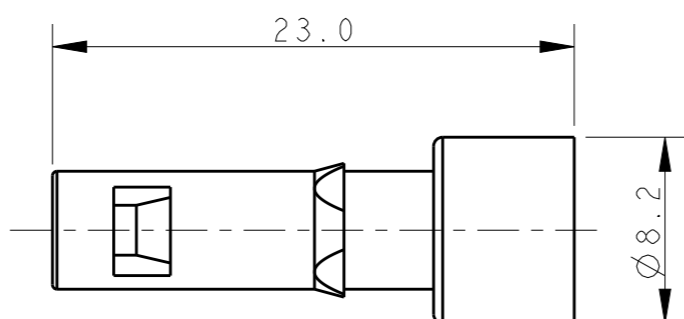
REVISIONS

P	LTR	DESCRIPTION	DATE	DWN	APVD
	A	INITIAL	10MAR2017	RL	CW

T2090002201-001 Pneu-c-F1.6



SCALE 2:1



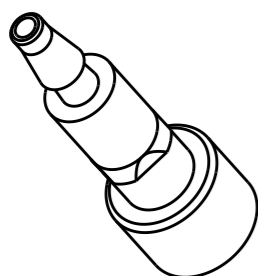
NOTES:

- MATERIAL: PC;
- TUBE ID:
  - 1.6 / 3.0 / 4.0mm (MATED WITH T2111032301-000 HMN-PA3)
  - 6.0mm (MATED WITH T2111022301-000 HMN-PA2)

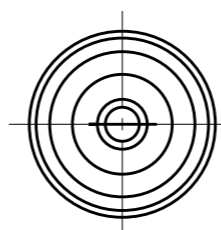
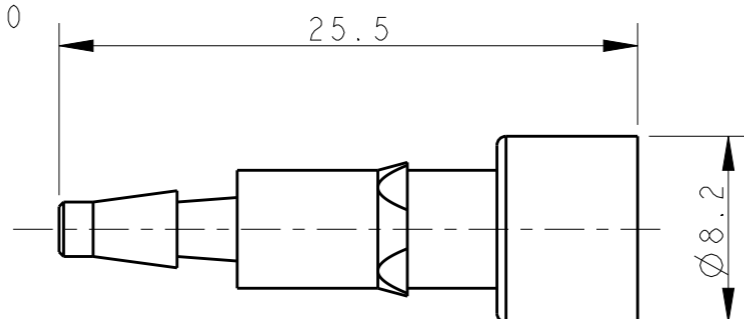
注释:

- 材料: PC;
- 导管内径:
  - 1.6 / 3.0 / 4.0mm (与T2111032301-000 HMN-PA3配合)
  - 6.0mm (与T2111022301-000 HMN-PA2配合)

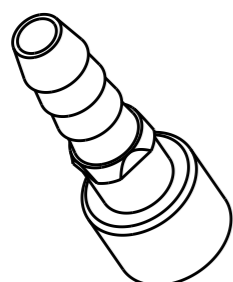
T2090002201-002 Pneu-c-F3.0



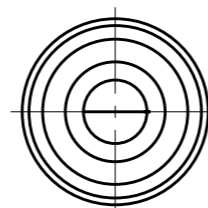
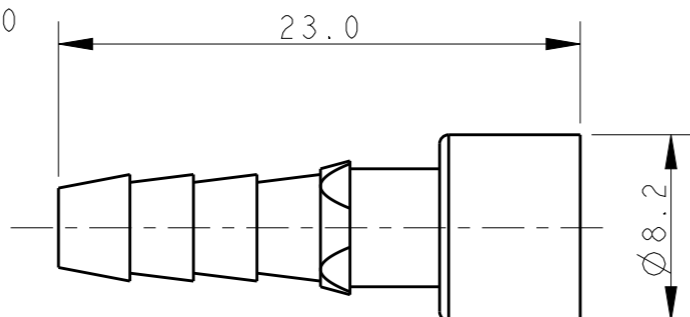
SCALE 2:1



T2090002201-003 Pneu-c-F4.0



SCALE 2:1



T2090002201-001	Pneu-c-F1.6	Pneu-c Ø1.6 SOCKET CONTACT Pneu-c Ø1.6母针	1.6
T2090002201-002	Pneu-c-F3.0	Pneu-c Ø3.0 SOCKET CONTACT Pneu-c Ø3.0母针	3.0
T2090002201-003	Pneu-c-F4.0	Pneu-c Ø4.0 SOCKET CONTACT Pneu-c Ø4.0母针	4.0
PART NUMBER 料号		PART DESCRIPTION 描述	TUBE ID 导管内径(Ø/mm)

THIS DRAWING IS A CONTROLLED DOCUMENT.

DIMENSIONS:		TOLERANCES UNLESS OTHERWISE SPECIFIED:	
mm			
	0 PLC	±-	
	1 PLC	±-	
	2 PLC	±-	
	3 PLC	±-	
	4 PLC	±-	
	ANGLES	±-	
MATERIAL	FINISH	-	-
-	-	-	-

DWN	ROY LIU	10MAR2017
CHK	KYLE ZENG	10MAR2017
APVD	CHRIS WANG	10MAR2017
PRODUCT SPEC	-	
APPLICATION SPEC	-	
WEIGHT	-	

<b>STE</b> TE Connectivity			
NAME Pneu-c-FXX			
SIZE	CAGE CODE	DRAWING NO	RESTRICTED TO
A3	-	©-T209000220100X	-
CUSTOMER DRAWING		SCALE	SHEET
		3:1	1 OF 2
		REV	A

THIS DRAWING IS UNPUBLISHED.

RELEASED FOR PUBLICATION

20

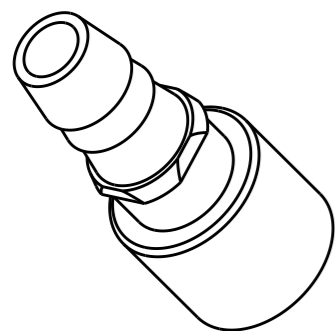
© COPYRIGHT 20 BY -

ALL RIGHTS RESERVED.

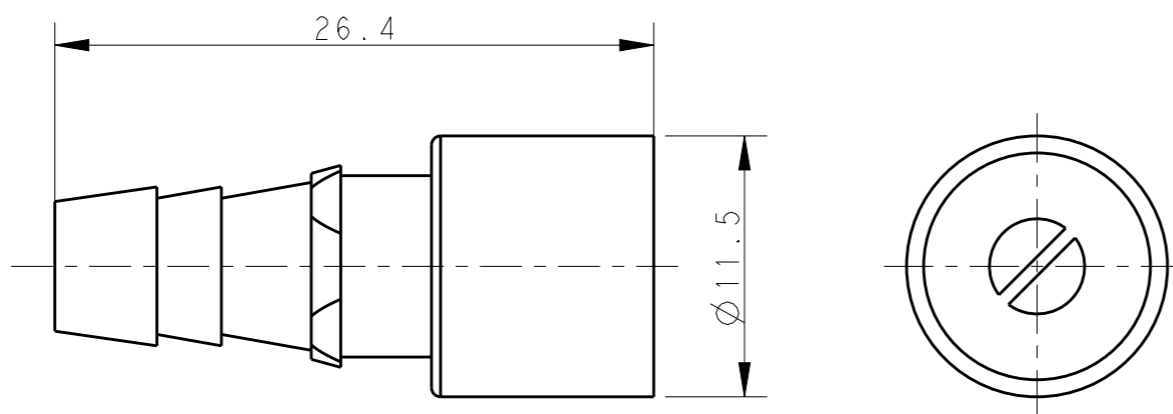
REVISIONS

P	LTR	DESCRIPTION	DATE	DWN	APVD
-	-	SEE SHEET 1	-	-	-

T2090002201-004 Pneu-c-F6.0




SCALE 2:1



NOTES:  
SEE SHEET 1

T2090002201-004	Pneu-c-F6.0	Pneu-c $\phi$ 6.0 SOCKET CONTACT Pneu-c $\phi$ 6.0母针	6.0
PART NUMBER 料号	PART DESCRIPTION 描述		TUBE ID 导管内径( $\phi$ /mm)

THIS DRAWING IS A CONTROLLED DOCUMENT.		DWN ROY LIU 10MAR2017	 TE Connectivity	
DIMENSIONS: mm		CHK KYLE ZENG 10MAR2017		
TOLERANCES UNLESS OTHERWISE SPECIFIED:		APVD CHRIS WANG 10MAR2017	NAME Pneu-c-FXX	
0 PLC $\pm$ -		PRODUCT SPEC	-	
1 PLC $\pm$ -		APPLICATION SPEC	-	
2 PLC $\pm$ -		WEIGHT	-	
3 PLC $\pm$ -		CUSTOMER DRAWING	SIZE A3	RESTRICTED TO -
4 PLC $\pm$ -			CAGE CODE -	
ANGLES $\pm$ -		DRAWING NO T209000220100X	SCALE 3:1	
MATERIAL -	FINISH -	SHEET 2 OF 2		REV A

## X-ON Electronics

Largest Supplier of Electrical and Electronic Components

*Click to view similar products for [Heavy Duty Power Connectors](#) category:*

*Click to view products by [TE Connectivity](#) manufacturer:*

Other Similar products are found below :

[1424439](#) [1424438](#) [09330062652](#) [2-8675P1](#) [605601-1](#) [6340G1](#) [6341G1](#) [6360G1](#) [6373G1](#) [6374g2](#) [6396G1](#) [647757-1](#) [66394-4](#) [6643411-1](#)  
[6646058-2](#) [6646137-1](#) [6646138-1](#) [6646348-1](#) [6646479-1](#) [6646608-1](#) [6646786-1](#) [6646940-1](#) [6651091-1](#) [6651525-1](#) [6651529-1](#) [6651778-1](#)  
[6651788-1](#) [696465-1](#) [696475-1](#) [73000005059](#) [73000005349](#) [73000005642](#) [73080255059](#) [73080965046](#) [765-15-0080A](#) [765-16-0080B](#)  
[789.700-44](#) [789.700-54](#) [80-1010](#) [80-9](#) [827381-1](#) [829992-1](#) [902-77-02113](#) [PL00U-301-10D10](#) [PM103MOOLOO](#) [PM16S1620S32-50](#)  
[PM212MOOLOO](#) [PM309FOOLOO](#) [PM324FOOLCH](#) [PMHPAF11S03](#)