

THE INFORMATION CONTAINED HEREIN IS CONSIDERED
 'PROPRIETARY' TO BEL FUSE INC. AND SHALL NOT BE
 COPIED, REPRODUCED OR DISCLOSED WITHOUT THE
 WRITTEN APPROVAL OF BEL FUSE INC.



ELECTRICAL CHARACTERISTICS @ 25°C

1CT : 1CT ±2% TURNS RATIO

DCL -40 TO +85 DEG C WITH 8 mA DC BIAS
 350µH MIN. @100KHZ, 100mV,

PIN (46-47), (43-44), (40-41), (37-38)
 PIN (34-35), (31-32), (28-29), (25-26)

FREQ.	1MHZ	65MHZ	100MHZ	125MHZ
MAX.	1.1dB	0.5dB	0.9dB	1.5dB

INSERTION LOSS

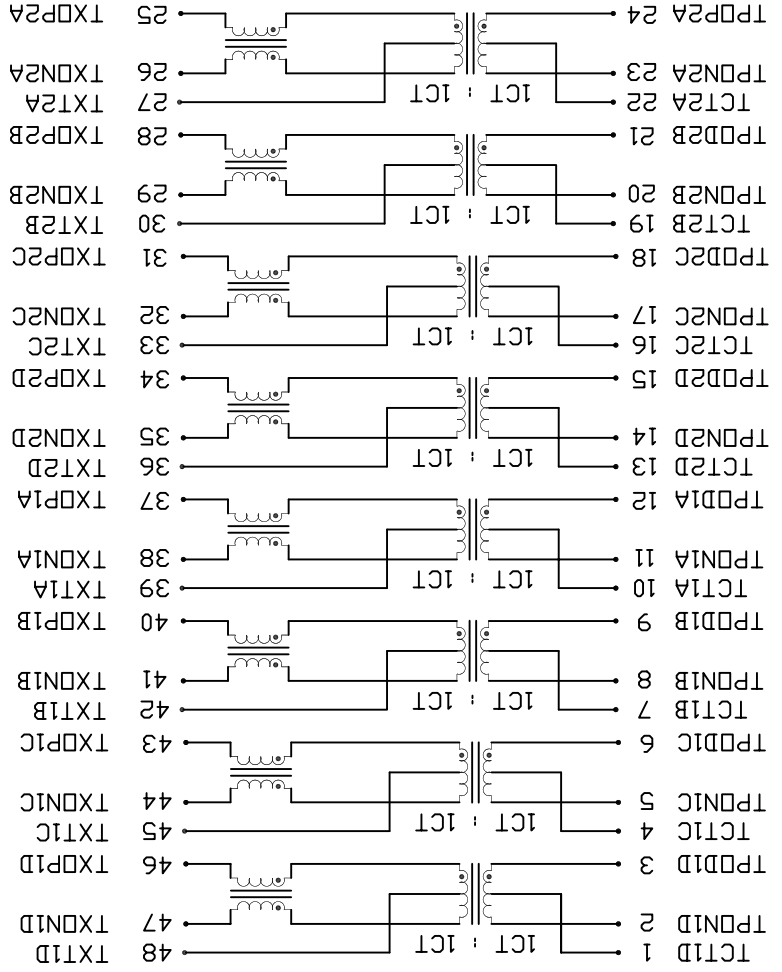
RETURN LOSS
 MEASURED UNDER A
 100 Ω ENVIRONMENT

COMMON TO COMMON 30dB MIN. @ 0.1 TO 100MHZ.

MODE REJECTION

CROSS TALK 33-20LOG(f/100MHZ)dB MIN. @ 0.1 TO 100MHZ.

HIPOT PER HAND-WORK-03



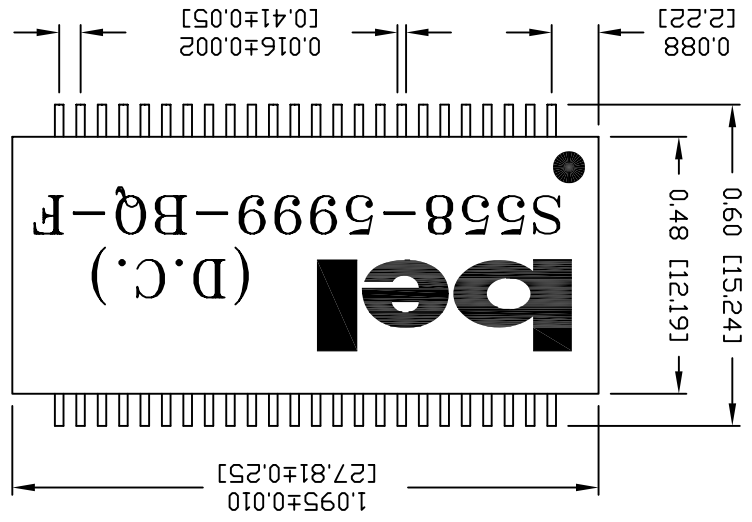
SCHMATIC

ORIGINATED BY	DATE	TITLE
J.BERRY	07-26-06	DUAL 100BASE-T
DRAWN BY	DATE	INDUSTRIAL TEMP
J.BERRY	07-26-06	

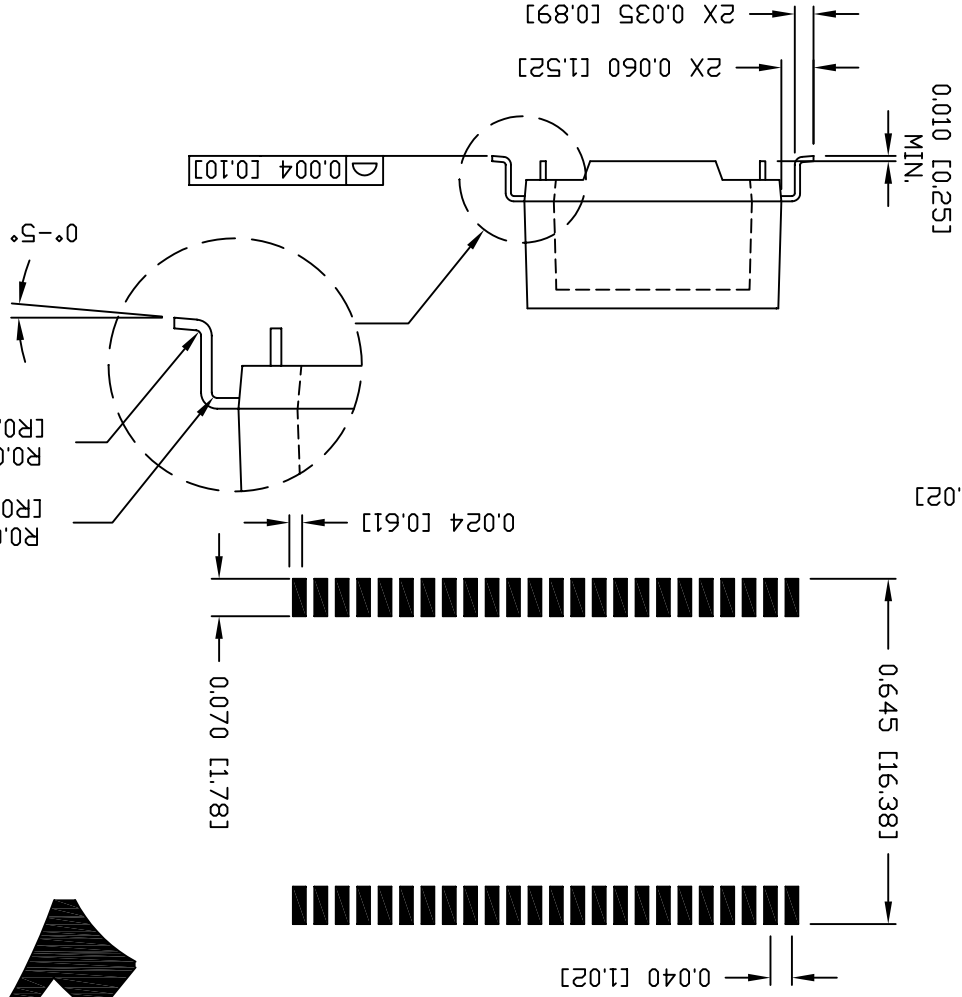
PART NO. / DRAWING NO.	FILE NAME
S558-5999-BQ-F	S5585999BQFPA.DWG
STANDARD DIM.	TOL. IN INCH
[] METRIC DIM. AS REFERENCE	UNIT : INCH [mm]
REV. : PA	SIZE : A4
PAGE : 2	



THE INFORMATION CONTAINED HEREIN IS CONSIDERED PROPRIETARY TO BEL FUSE INC. AND SHALL NOT BE COPIED, REPRODUCED OR DISCLOSED WITHOUT THE WRITTEN APPROVAL OF BEL FUSE INC.



NOTES:
 1. STANDARD MARKING REFER TO DDC. HAND-WORK-04.
 2. PACKAGE CODE: 'QV5001'.



SUGGESTED PCB PAD LAYOUT



ORIGINATED BY J.BERRY		DATE 07-26-06	TITLE MECHANICAL DRAWING		PART NO. / DRAWING NO. S558-5999-BQ-F	STANDARD DIM. TOL. IN INCH .X	UNIT : INCH [mm]	REV. : PA	
DRAWN BY J.BERRY		DATE 07-26-06	FILE NAME S5585999BQFFA.DWG		.XXX	±0.01	SCALE : N/A	SIZE : A4	
PAGE : 3		This document is electronically generated. This is a controlled copy if used internally.							

X-ON Electronics

Largest Supplier of Electrical and Electronic Components

Click to view similar products for [bel fuse manufacturer](#):

Other Similar products are found below :

[P2404DB](#) [FC100V20A-G](#) [1786-TNCJI4/A](#) [1840855-7](#) [5SF 200-R](#) [010-0055](#) [M24308/1-12F](#) [M24308/2-336Z](#) [M24308/2-343Z](#) [M24308/3-21F](#) [70-1080](#) [73-6311-10](#) [73-6670-7](#) [PET2000-12-074NA](#) [PL1WC-026](#) [PL75-45BR](#) [PS-15201](#) [PS-15206](#) [PSAC-17312](#) [PSK3616-7](#) [QM48T40033-PDB0](#) [127-0692-001](#) [127-2701-602](#) [ADPL75-E1-UBJ20](#) [ADT-2540-7M-SMM-02](#) [DCB-3510-FF-SMA-02](#) [DCDM100CS](#) [DCDM-15S6E5-36.0K](#) [DCHM15SCBRPN-HT1](#) [131-8403-011](#) [RFI21-13](#) [RFI75-8-D3](#) [DDM50SA156](#) [131-3693-116](#) [DEME9S](#) [DEMM9SM](#) [DFC10U48D12](#) [140-0000-954](#) [141-3901-802](#) [142-0233-001](#) [AM2003-9](#) [142-0298-001](#) [14-5642](#) [146-0701-301](#) [MS24264R10T20PY](#) [MS24264R10T2PY-LC](#) [MS24264R10T5PY-LC](#) [MS24264R10T5SY-LC](#) [MS24264R14B15SN-LC](#) [MS24264R14T15SN](#)