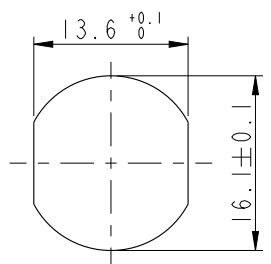
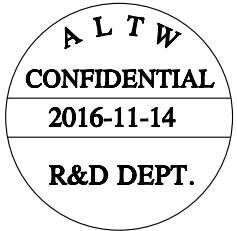
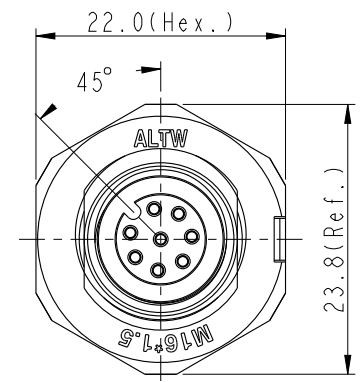
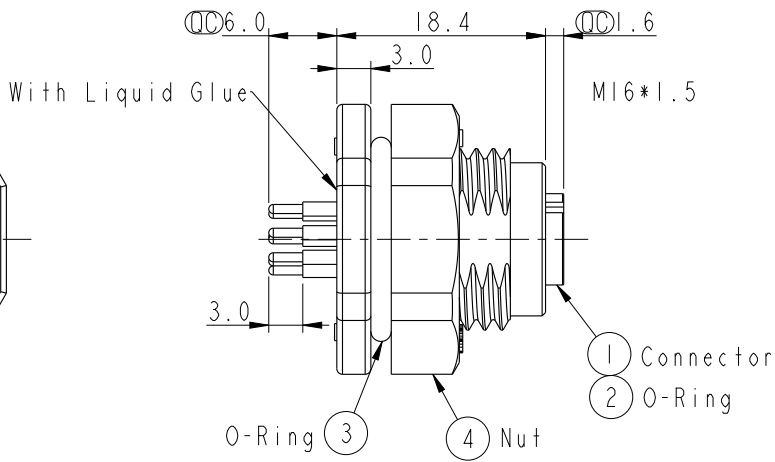
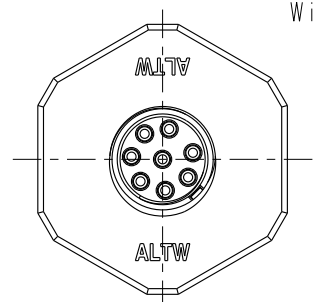


THIS DOCUMENT IS SUBJECT TO CHANGE WITHOUT NOTICE. IT IS CONFIDENTIAL AND A PROPERTY OF AMPHENOL LTW. DISCLOSURE TO THIRD PARTY HAS TO BE AUTHORIZED BY AMPHENOL LTW.

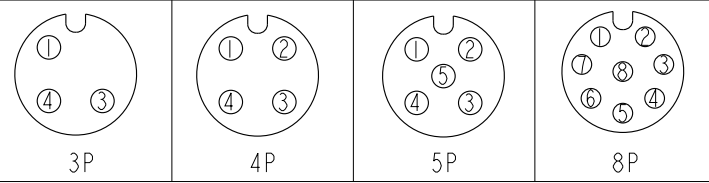
| REV. | ECN NO. | DATE | SIGN | DESCRIPTION |
|------|---------|------|------|-------------|
|      |         |      |      |             |
|      |         |      |      |             |
|      |         |      |      |             |



Recommended Panel Cut-Out



- Note:
- \*  $\varnothing$  Important Dimension To Check
  - \* Waterproof Rate: IP68 (水深1米, 24hrs)
  - \* Connector: Nylon+GF, 94V-0, Black
  - \* Female Pin: Copper Alloy, Gold Plated
  - \* Shield: Nylon+GF, 94V-0, Black
  - \* Nut: Nylon+GF, 94V-0, Black
  - \* O-Ring (Inner): Silicone, Gray, 94V-0
  - \* O-Ring (Outer): Silicone, Gray, 94V-0
  - \* Rated Voltage: 3 & 4Pin 250V dc. or ac.  
5Pin 60V dc. or ac.  
8Pin 30V dc. or ac.
  - \* Rated Current: 3-5Pin 4A  
8Pin 2A
  - \* For panel Thickness Max 4.0mm



Pin Assignment Front View

|                    |
|--------------------|
| M12A-03PMMS-SF8002 |
| M12A-04PMMS-SF8002 |
| M12A-05PMMS-SF8002 |
| M12A-08PMMS-SF8002 |

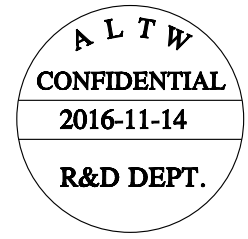
Item No.

|   |                |  |
|---|----------------|--|
| UNIT: mm  |                | TITLE<br>M12 A-Code Female Conn.<br>PCB Front Type (Plastic) |
| TOLERANCE<br>.X ±0.25<br>.XX ±0.1<br>.XXX ±0.05<br>ANGLES ±1° | SCALE<br>3:2   | SIZE<br>A4   |
|   | REV.<br>A      | SHEET<br>1 OF 2  |
|   | WC-REV.<br>A.2 | $\varnothing$ : Inspection item                              |

**Amphenol LTW**  
安費諾亮泰企業股份有限公司

|                               |                         |                    |
|-------------------------------|-------------------------|--------------------|
| ITEM NO.                      | DRAWN BY<br>Yulong_wang | DATE<br>2016-11-14 |
| DWG NO.<br>MSAP-XXPFFP-SF8002 | CHECKED BY<br>Jinhai    | DATE<br>2016-11-14 |
| CUSTOMER<br>ALTW              | APPROVED BY<br>Jerry    | DATE<br>2016-11-14 |

THIS DOCUMENT IS SUBJECT TO CHANGE WITHOUT NOTICE. IT IS CONFIDENTIAL AND A PROPERTY OF Amphenol LTW. DISCLOSURE TO THIRD PARTY HAS TO BE AUTHORIZED BY Amphenol LTW.



M SAP - XX P F F P - S F 8 002

SAP: A-Code Plastic

03: 3Pin  
04: 4Pin  
05: 5Pin  
08: 8Pin

P: Panel (板端)

F: Female Connector (母座)

002: M16\*1.5

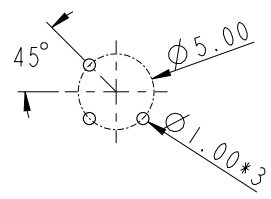
8: IP68 (防水等級68)

F: Front Fasten (前鎖式/Enclosure Rear Mount)

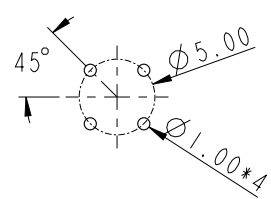
S: Screw (螺紋式)

P: 180° PCB THT/DIP Type (180° 基板插件式)

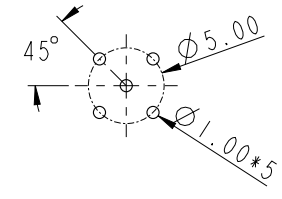
F: Female Pin (母Pin)



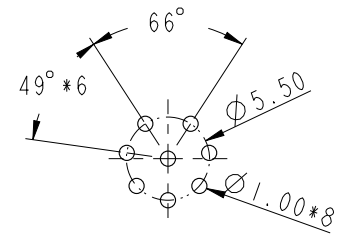
PCB Layout (3P)



PCB Layout (4P)



PCB Layout (5P)



PCB Layout (8P)

|           |       |
|-----------|-------|
| UNIT: mm  |       |
| TOLERANCE |       |
| .X        | ±0.25 |
| .XX       | ±0.1  |
| .XXX      | ±0.05 |
| ANGLES    | ±1°   |

|  |                |                     |  |
|--|----------------|---------------------|--|
| TITLE<br>M12 A-Code Female Conn.<br>PCB Front Type (Plastic) |                |                     |  |
| SCALE<br>3:2   | SIZE<br>A4     | SHEET<br>2 OF 2     |  |
| REV.<br>01   | WC-REV.<br>A.2 | QC: Inspection item |  |

**Amphenol LTW**  
安費諾亮泰企業股份有限公司

|                              |                         |                    |
|------------------------------|-------------------------|--------------------|
| ITEM NO                      | DRAWN BY<br>Yulong_wang | DATE<br>2016-11-14 |
| DWG NO<br>MSAP-XXPFFP-SF8002 | CHECKED BY<br>Jinhai    | DATE<br>2016-11-14 |
| CUSTOMER<br>ALTW             | APPROVED BY<br>Jerry    | DATE<br>2016-11-14 |

|                    |
|--------------------|
| DATE<br>2016-11-14 |
| DATE<br>2016-11-14 |
| DATE<br>2016-11-14 |

## X-ON Electronics

Largest Supplier of Electrical and Electronic Components

*Click to view similar products for [Circular Metric Connectors](#) category:*

*Click to view products by [Amphenol](#) manufacturer:*

Other Similar products are found below :

[1424048](#) [1021212](#) [600X518037X](#) [6STD09SAM99B70X](#) [6STD15PCR99B70A](#) [8R4000A16M020](#) [1200910002](#) [1201150041](#) [1203580030](#)  
[1200700064](#) [1200700263](#) [1200700416](#) [1200730102](#) [1200770002](#) [1-2823588-2](#) [130203-0054](#) [1300140026](#) [1300150099](#) [1-3637-600-5205](#)  
[1545399](#) [1594331](#) [1600413](#) [1612606](#) [1612618](#) [1614660](#) [1A4000-348](#) [CA06EW24-10P-B-03](#) [21036836414](#) [2823064-1](#) [1610759](#) [A1642LK-](#)  
[II-T](#) [1R3006A20M005](#) [41-01016](#) [41-40011](#) [41-40017](#) [42-00006](#) [42-01015](#) [4-22279-4](#) [4-22281-1](#) [4-22284-9](#) [43-00002](#) [43-00113](#) [43-00130](#)  
[43-01028](#) [43-01034](#) [43-01088](#) [43-01090](#) [43-01203](#) [43-01209](#) [43-01335](#)