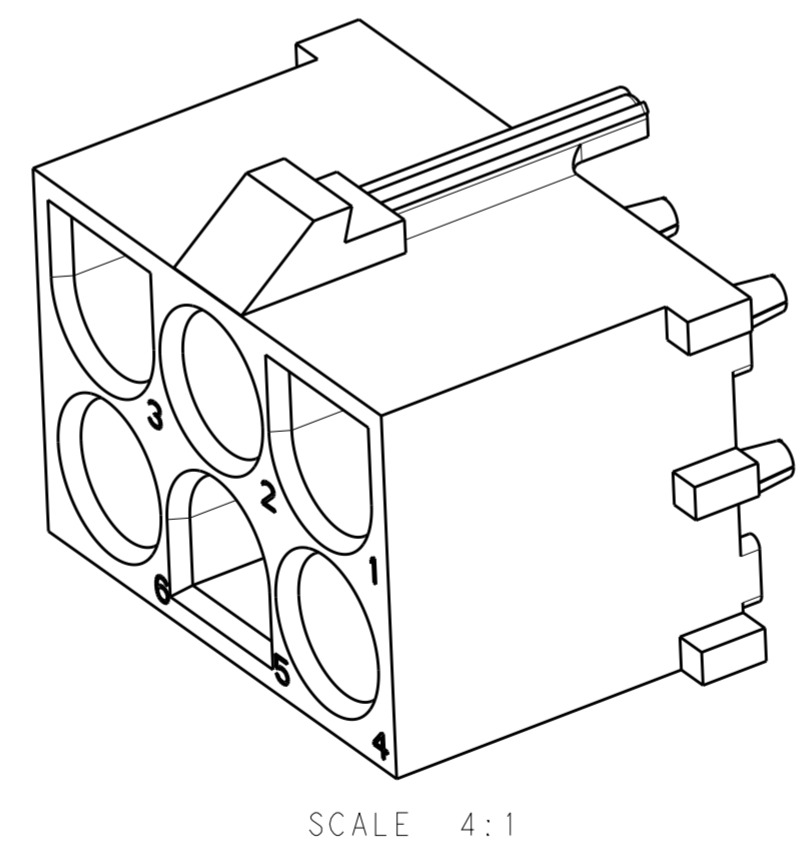
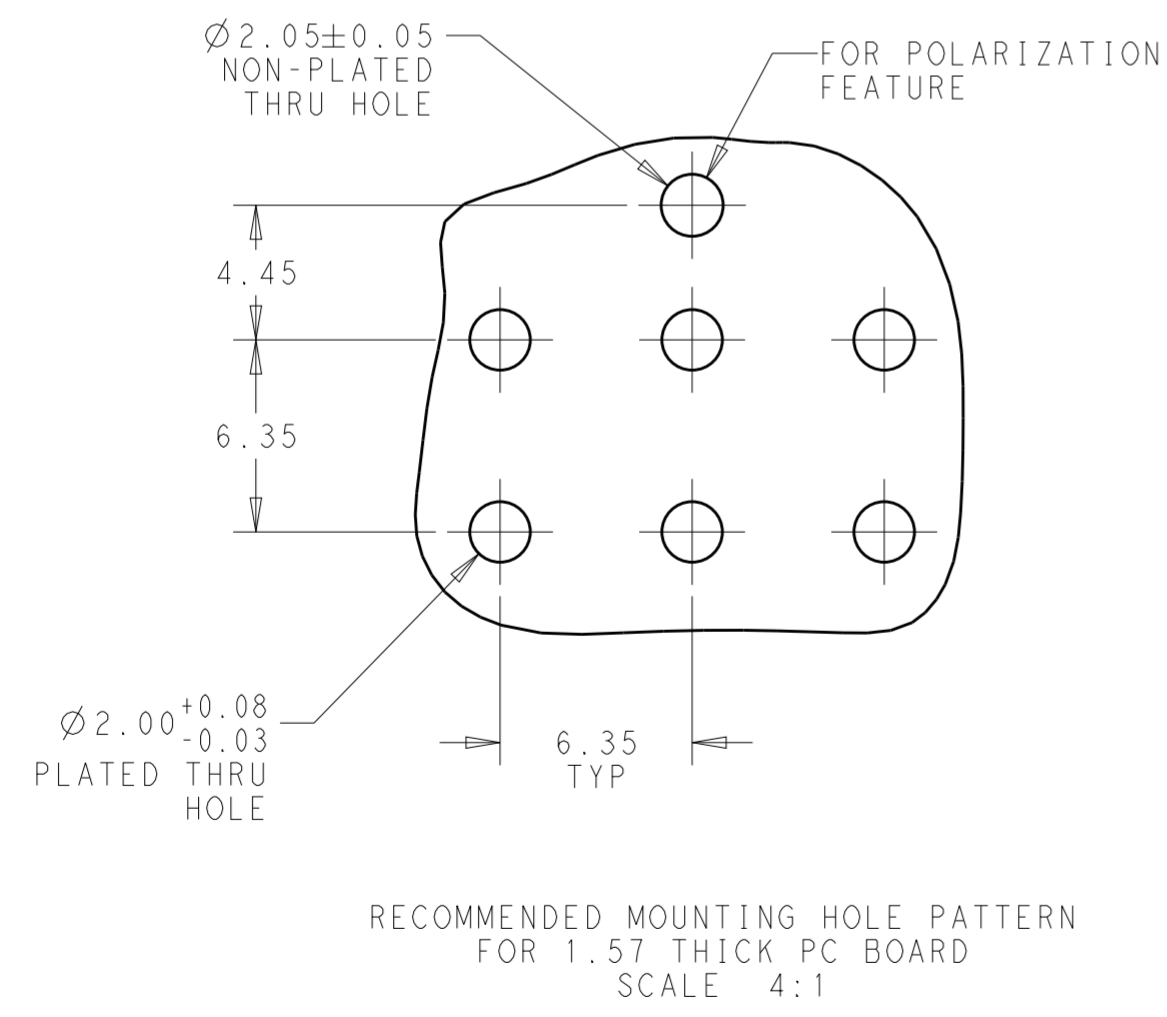
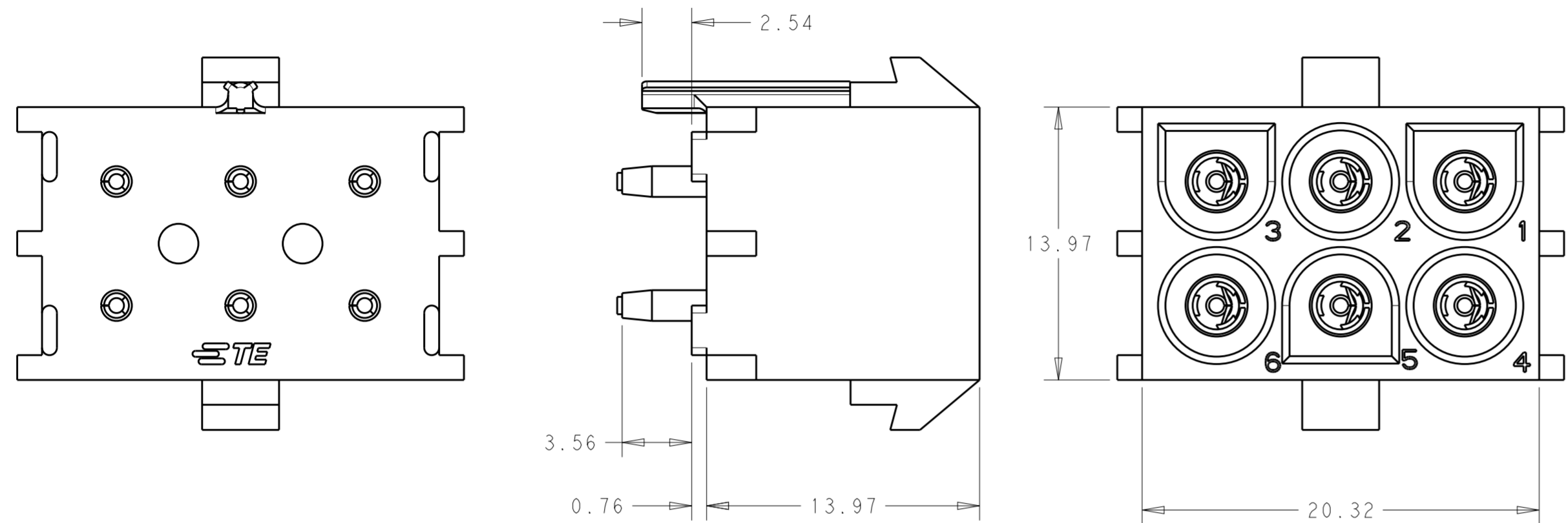


THIS DRAWING IS UNPUBLISHED. RELEASED FOR PUBLICATION 20
 © COPYRIGHT 20 BY - ALL RIGHTS RESERVED.

REVISIONS					
P	LTR	DESCRIPTION	DATE	DWN	APVD
	A	REVISED PER ECR-17-014561	10OCT2017	RK	JL
	A1	REVISED PER ECR-17-015644	25OCT2017	RK	JL

NOTES:

- PARTS COMPLY TO TE SOLDERABILITY SPEC 109-11-3.
- MATERIALS:
 - HOUSING:GF-LCP
COLOR:SEE TABLE
 - CONTACT:PHOSPHOR BRONZE
PLATING:TIN



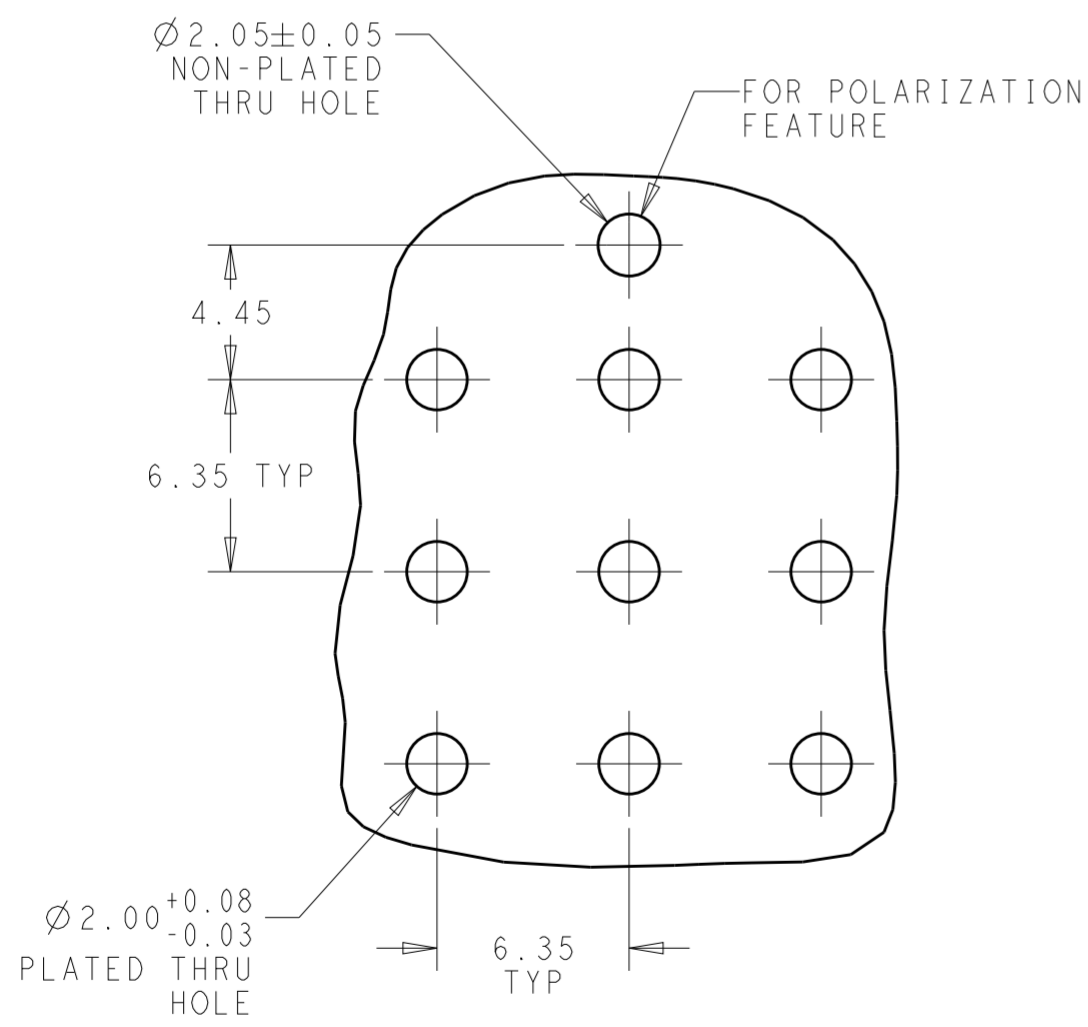
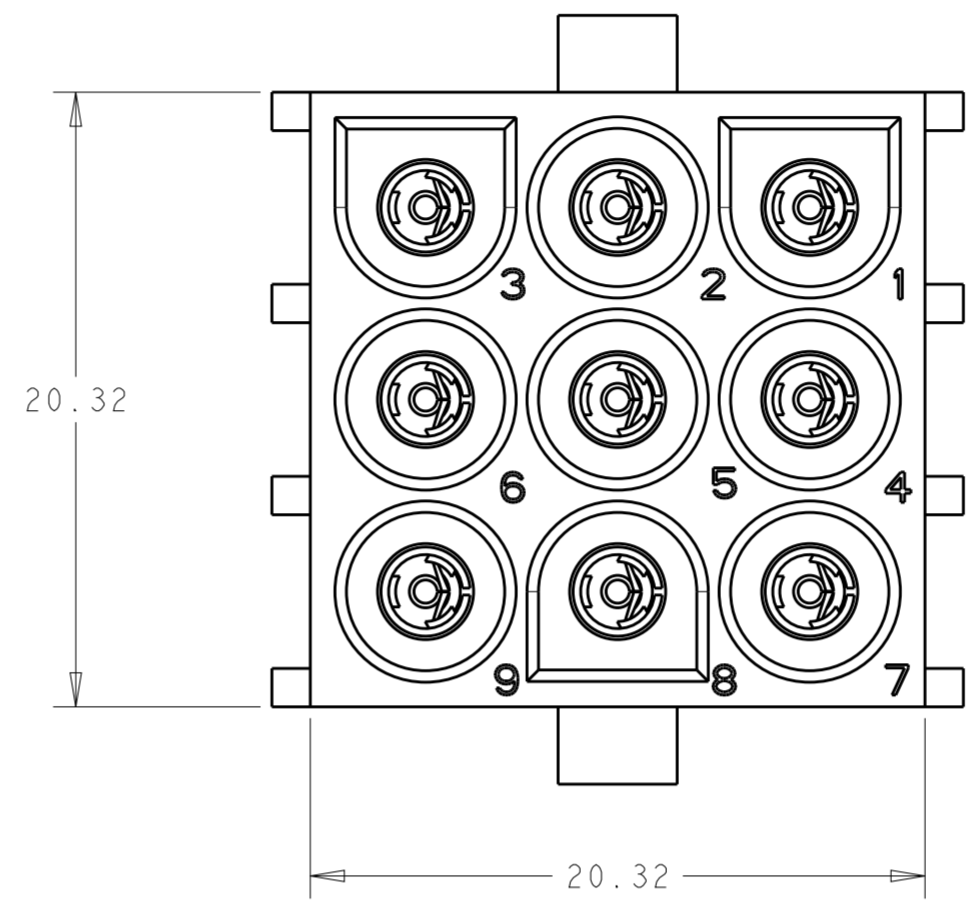
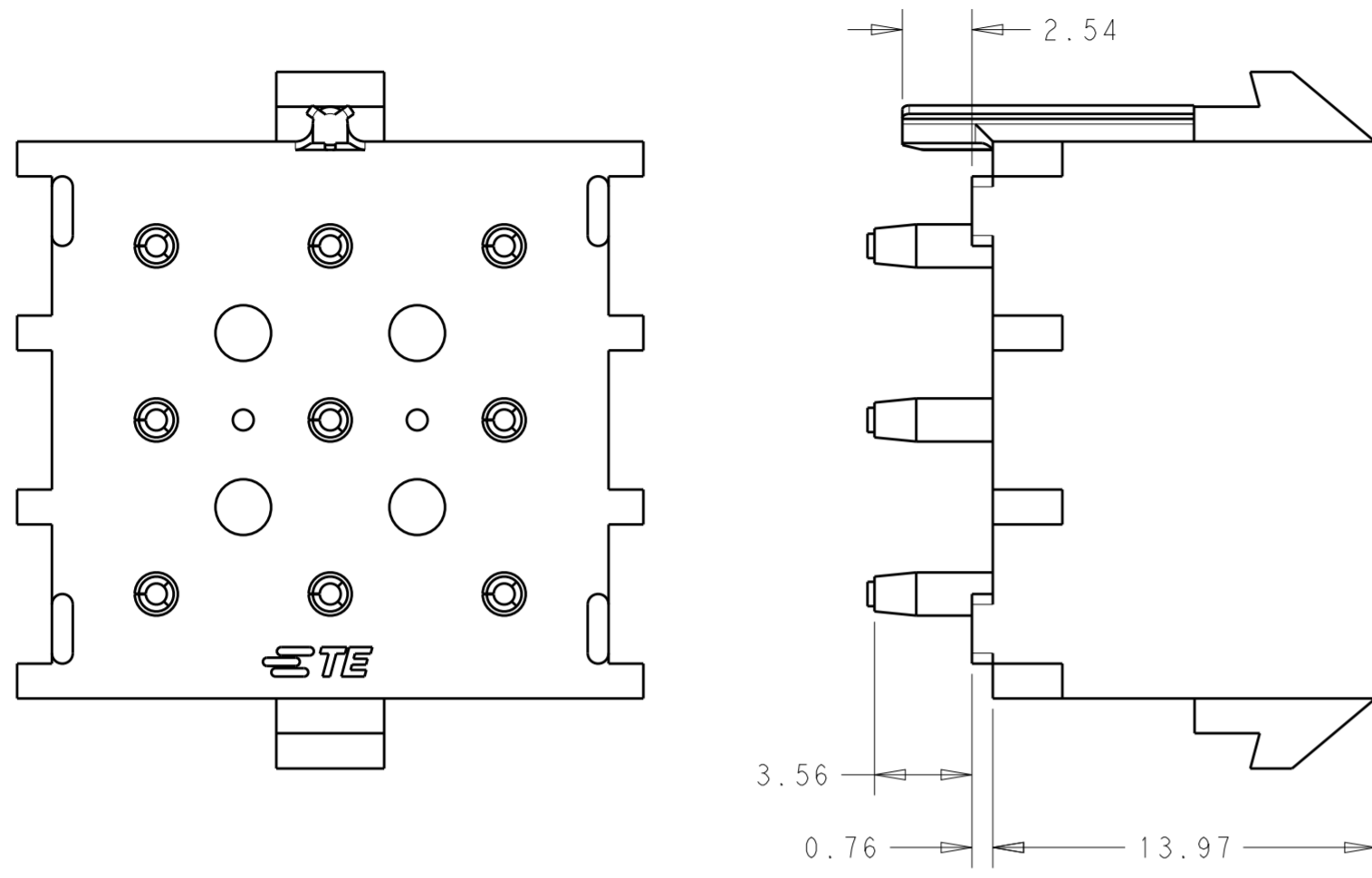
2213756-1, 1-2213756-1
 SHOWN

COLOR	POSITION	PART NO.
BLACK	15 POS UMNL HEADER HOUSING POLARIZED	1-2213756-4
BLACK	12 POS UMNL HEADER HOUSING POLARIZED	1-2213756-3
BLACK	9 POS UMNL HEADER HOUSING POLARIZED	1-2213756-2
BLACK	6 POS UMNL HEADER HOUSING POLARIZED	1-2213756-1
NATURAL	15 POS UMNL HEADER HOUSING POLARIZED	2213756-4
NATURAL	12 POS UMNL HEADER HOUSING POLARIZED	2213756-3
NATURAL	9 POS UMNL HEADER HOUSING POLARIZED	2213756-2
NATURAL	6 POS UMNL HEADER HOUSING POLARIZED	2213756-1

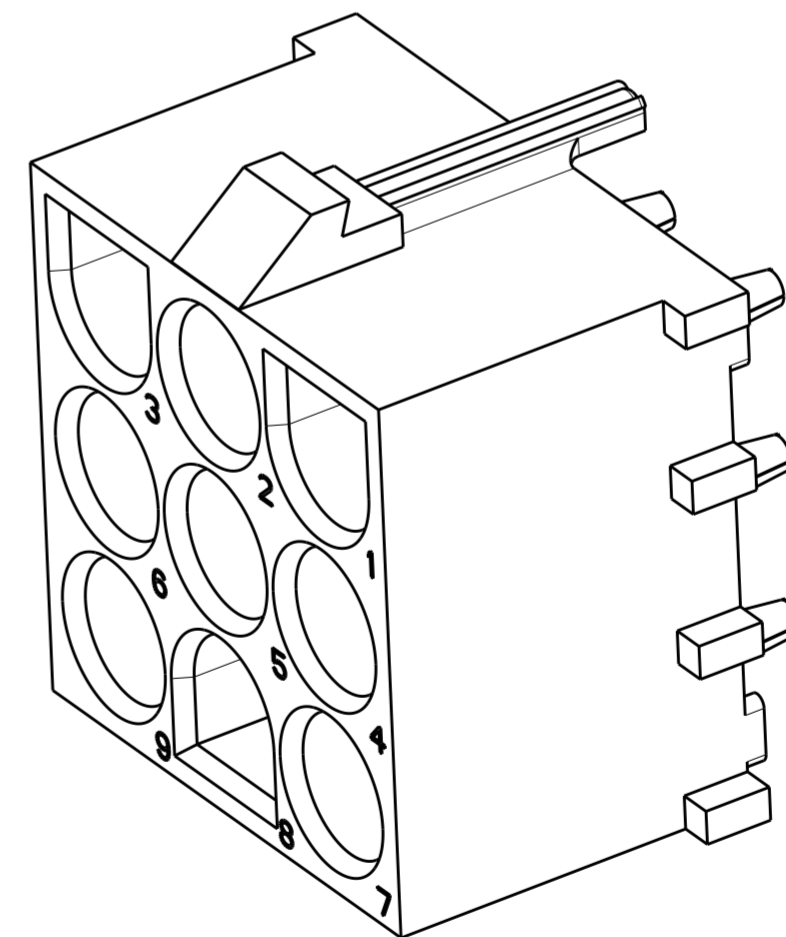
THIS DRAWING IS A CONTROLLED DOCUMENT.		DWN J. SHAFFER 02NOV2015	TE Connectivity	
DIMENSIONS: mm		CHK M. MOSTOLLER 02NOV2015		
TOLERANCES UNLESS OTHERWISE SPECIFIED:		APVD M. MOSTOLLER 02NOV2015	NAME 3 ROW SOCKET HEADER ASSEMBLY, UMNL, HIGH TEMPERATURE	
0 PLC ± 1 PLC ±0.5 2 PLC ±0.13 3 PLC ± 4 PLC ± ANGLES ± FINISH ±		PRODUCT SPEC 108-1053	RESTRICTED TO	
MATERIAL		APPLICATION SPEC 114-133083	SIZE A2	CAGE CODE -
		WEIGHT -	DRAWING NO C-2213756	
		CUSTOMER DRAWING	SCALE 2:1	SHEET 1 OF 4
			REV A1	

THIS DRAWING IS UNPUBLISHED. RELEASED FOR PUBLICATION 20
 © COPYRIGHT 20 BY - ALL RIGHTS RESERVED.

REVISIONS				
P	LTR	DESCRIPTION	DATE	APVD
		SEE SHEET 1		



2213756-2, 1-2213756-2
 SHOWN

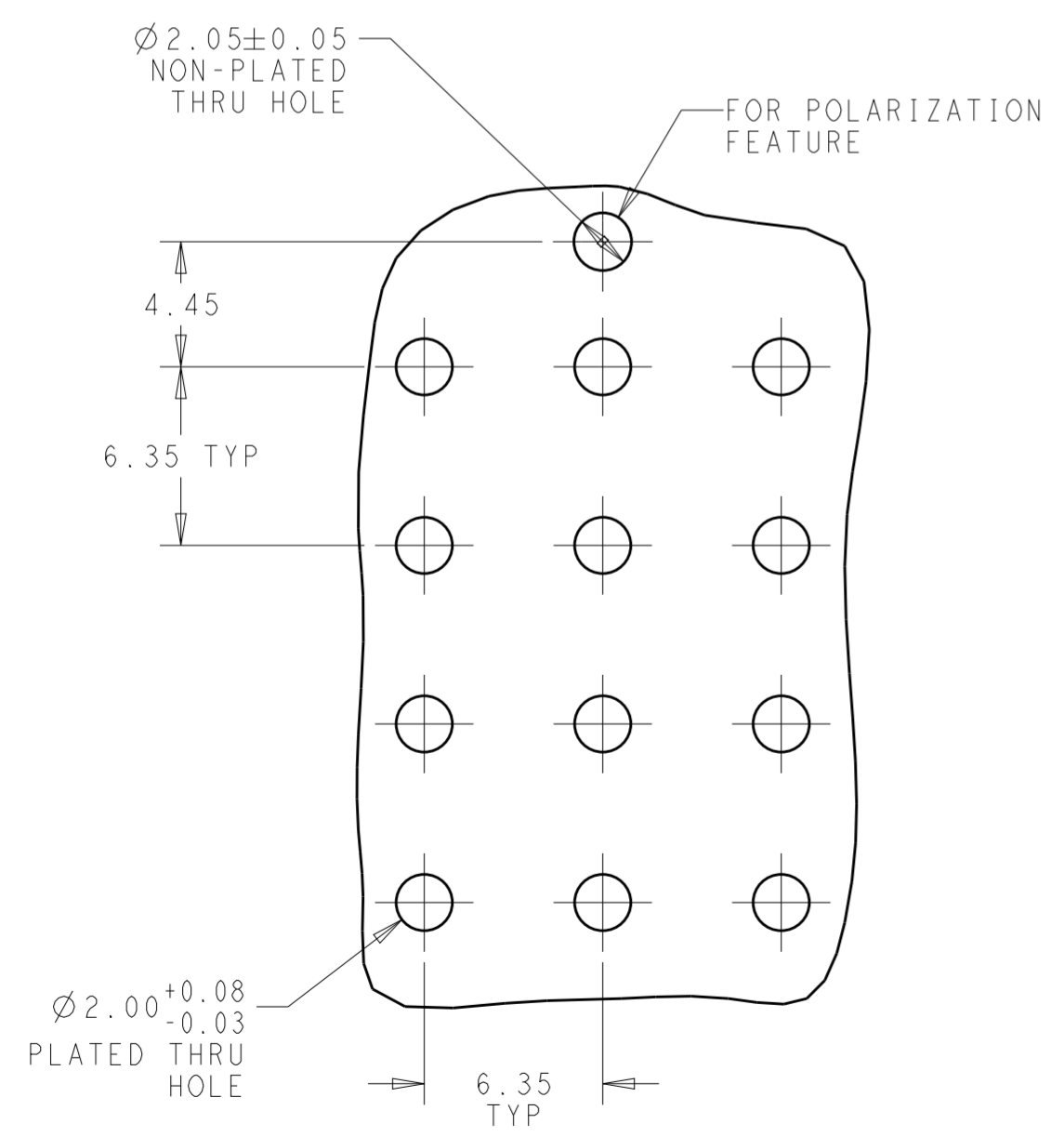
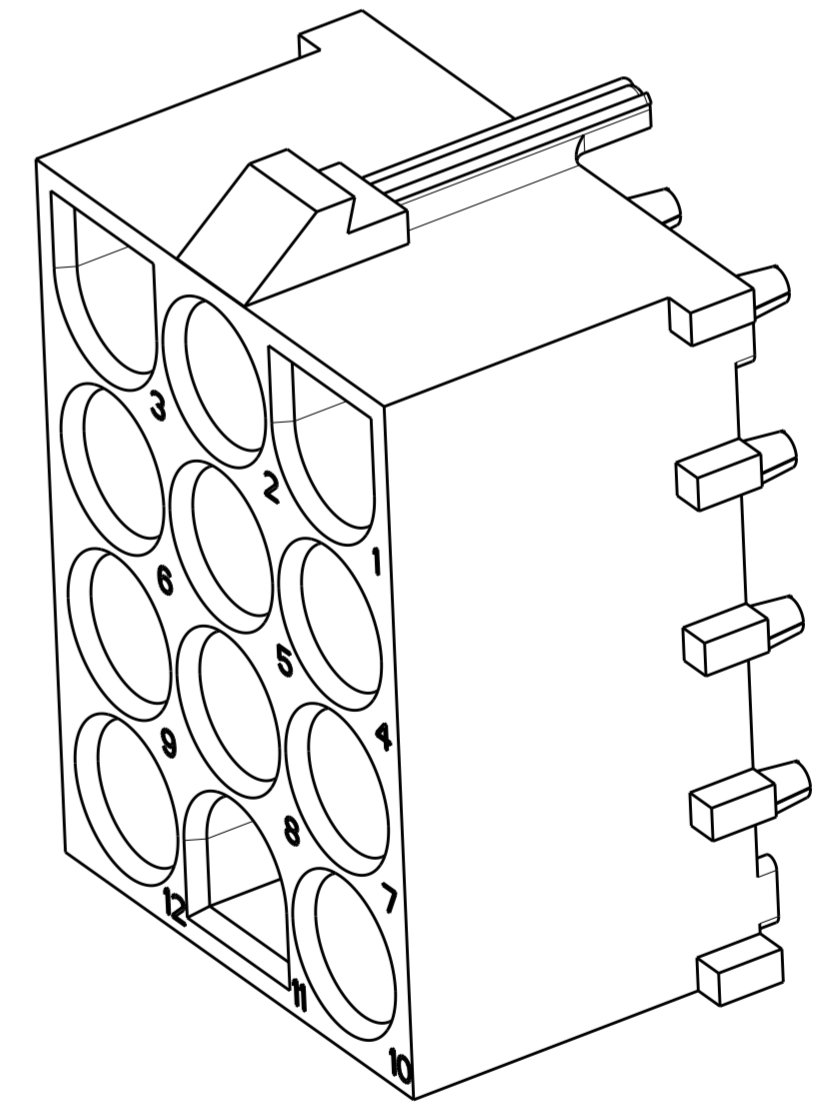
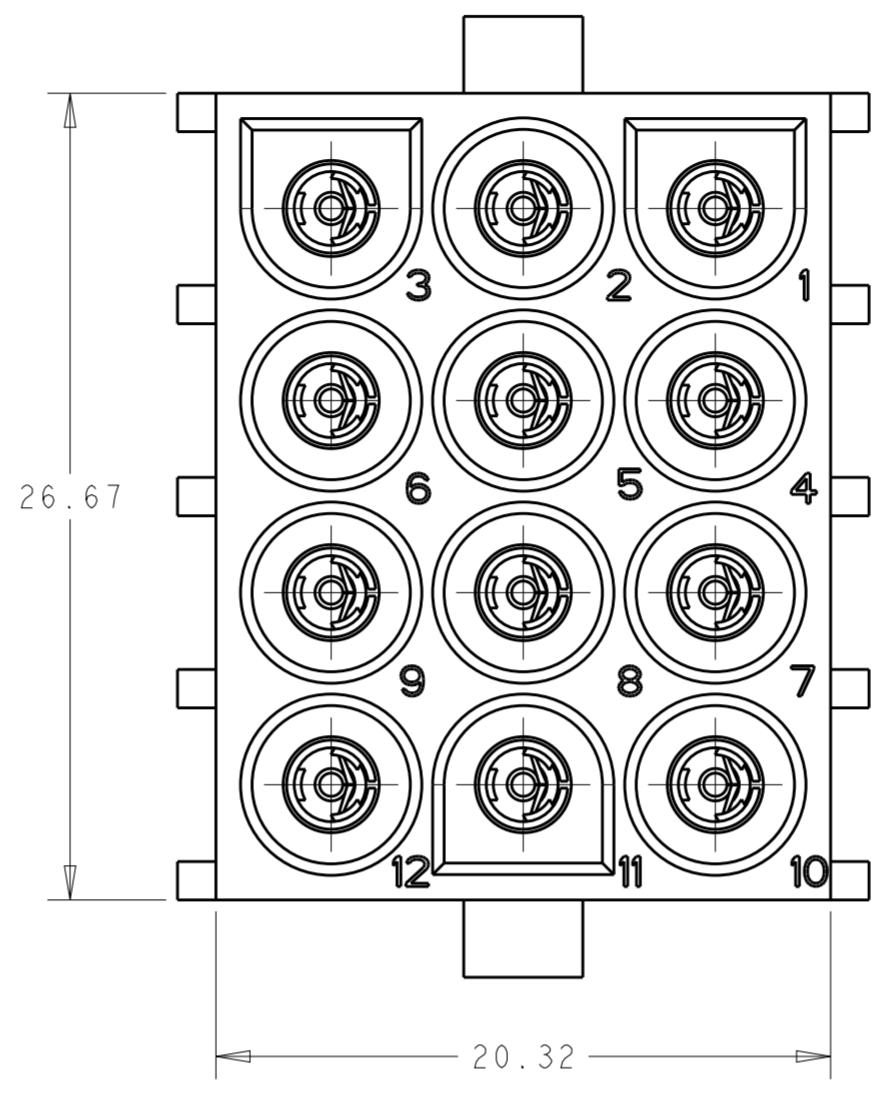
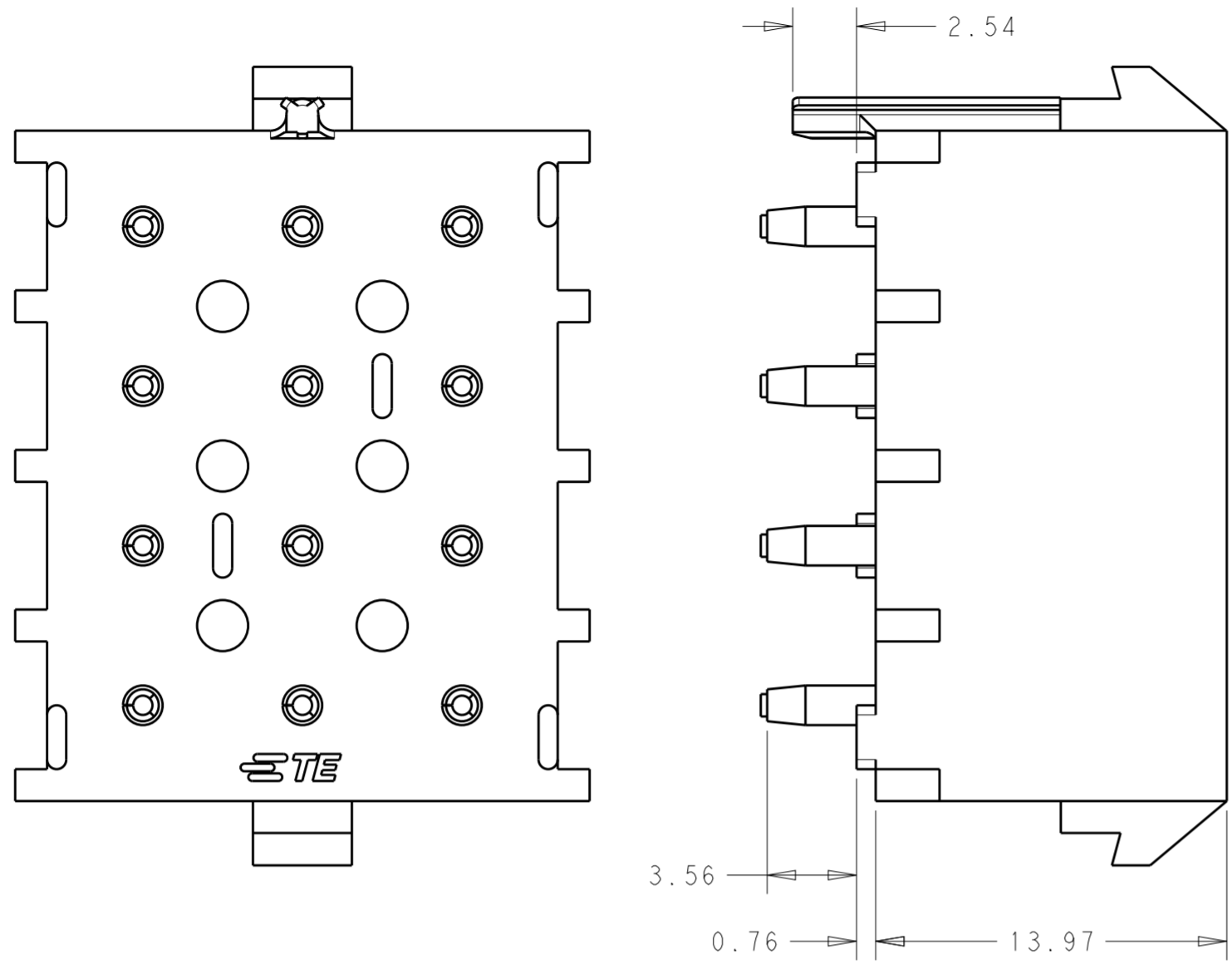


RECOMMENDED MOUNTING HOLE PATTERN
 FOR 1.57 THICK PC BOARD
 SCALE 4:1

THIS DRAWING IS A CONTROLLED DOCUMENT.		DWN J. SHAFFER 02NOV2015	TE Connectivity	
DIMENSIONS: mm		CHK M. MOSTOLLER 02NOV2015		
TOLERANCES UNLESS OTHERWISE SPECIFIED:		APVD M. MOSTOLLER 02NOV2015	NAME 3 ROW SOCKET HEADER ASSEMBLY, UMNL, HIGH TEMPERATURE	
0 PLC ±	1 PLC ±0.5	PRODUCT SPEC 108-1053	SIZE A2	CAGE CODE -
2 PLC ±0.13	3 PLC ±	APPLICATION SPEC 114-133083	DRAWING NO C-2213756	RESTRICTED TO -
4 PLC ±	ANGLES ±	WEIGHT -	SCALE 2:1	SHEET 2 OF 4
MATERIAL -	FINISH -	CUSTOMER DRAWING	REV A1	

THIS DRAWING IS UNPUBLISHED. RELEASED FOR PUBLICATION 20
 © COPYRIGHT 20 BY - ALL RIGHTS RESERVED.

REVISIONS				
P	LTR	DESCRIPTION	DATE	APVD
		SEE SHEET 1		



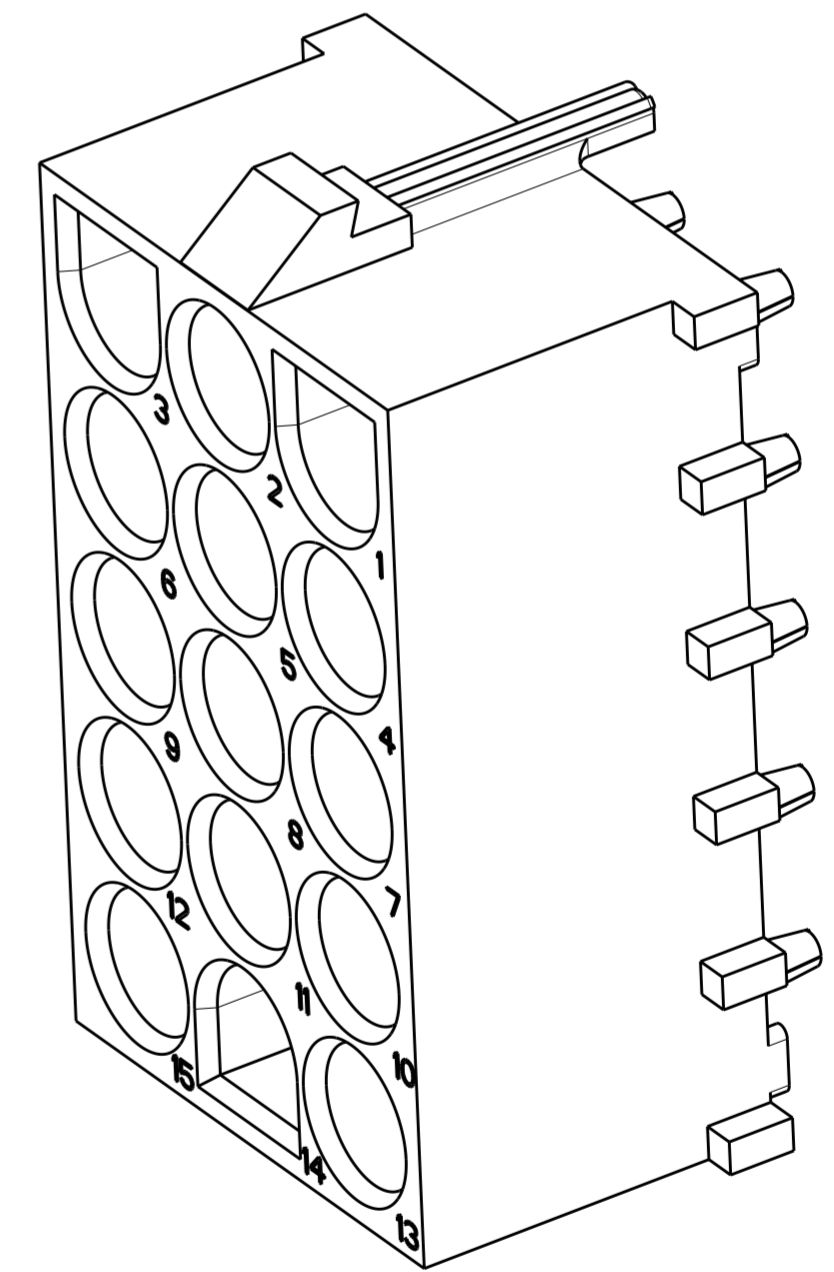
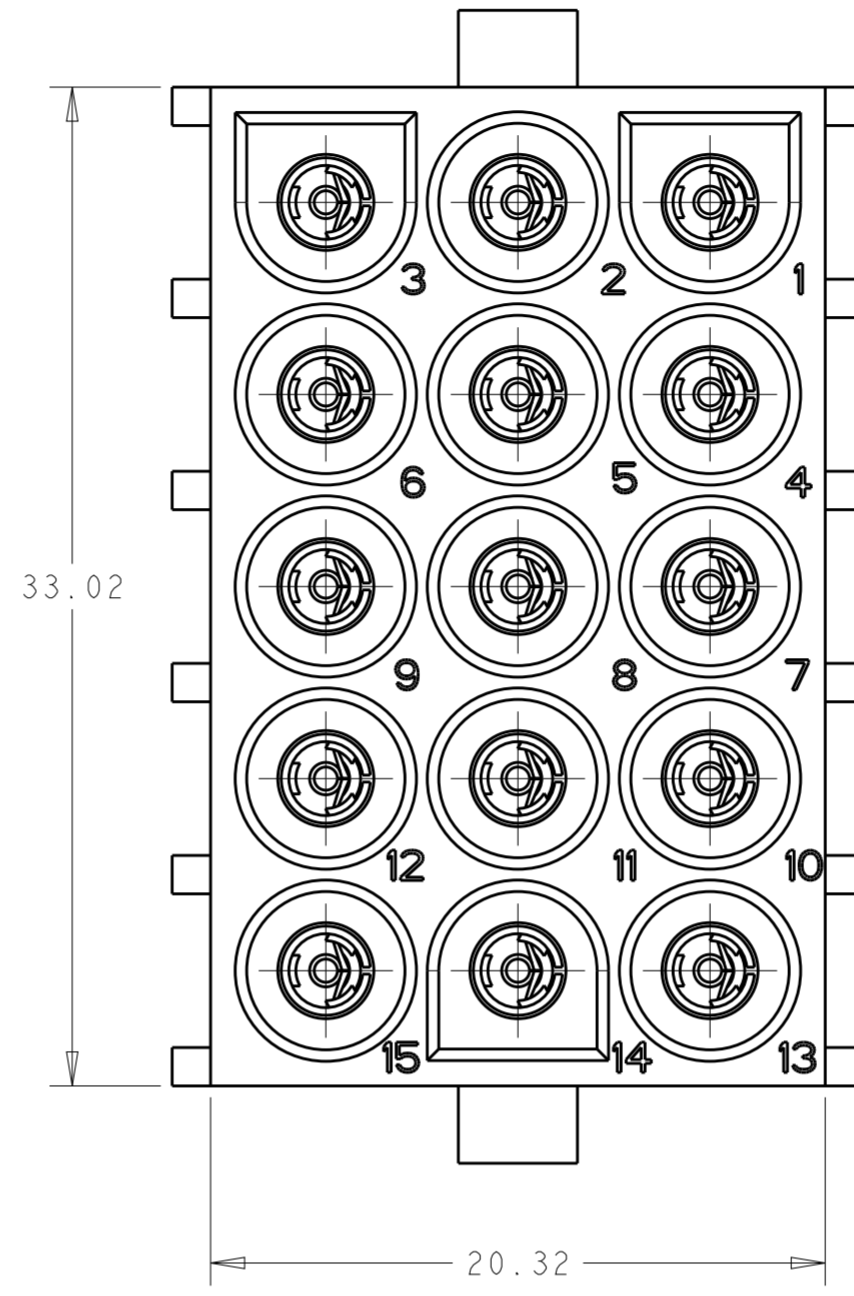
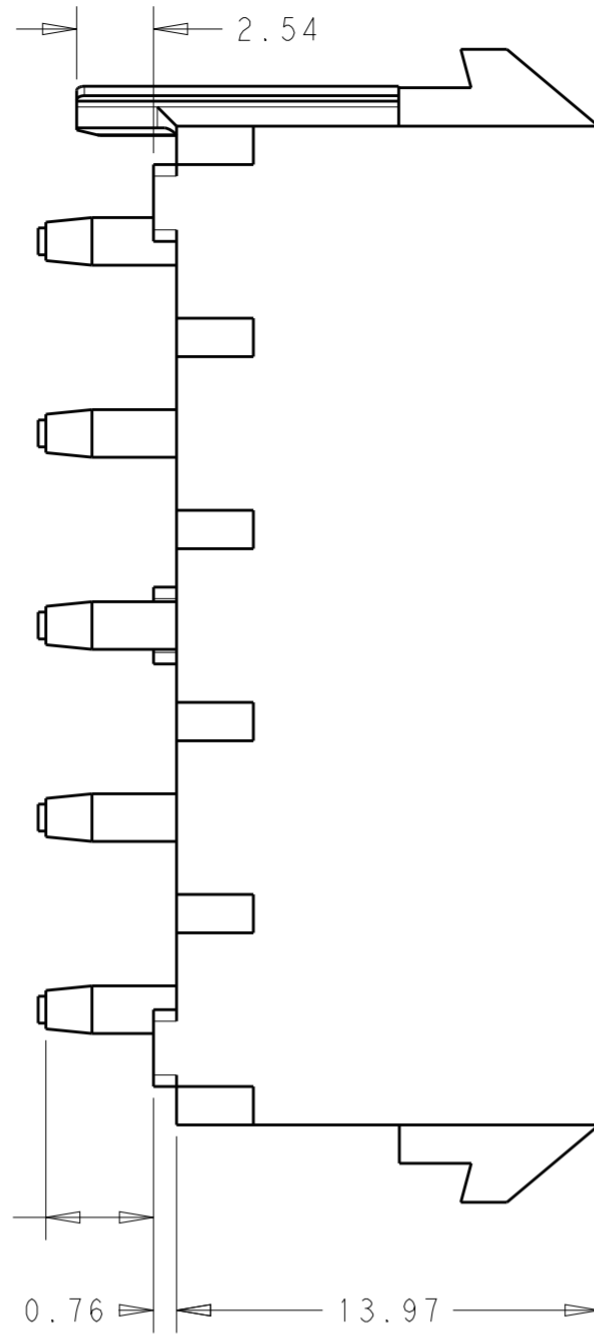
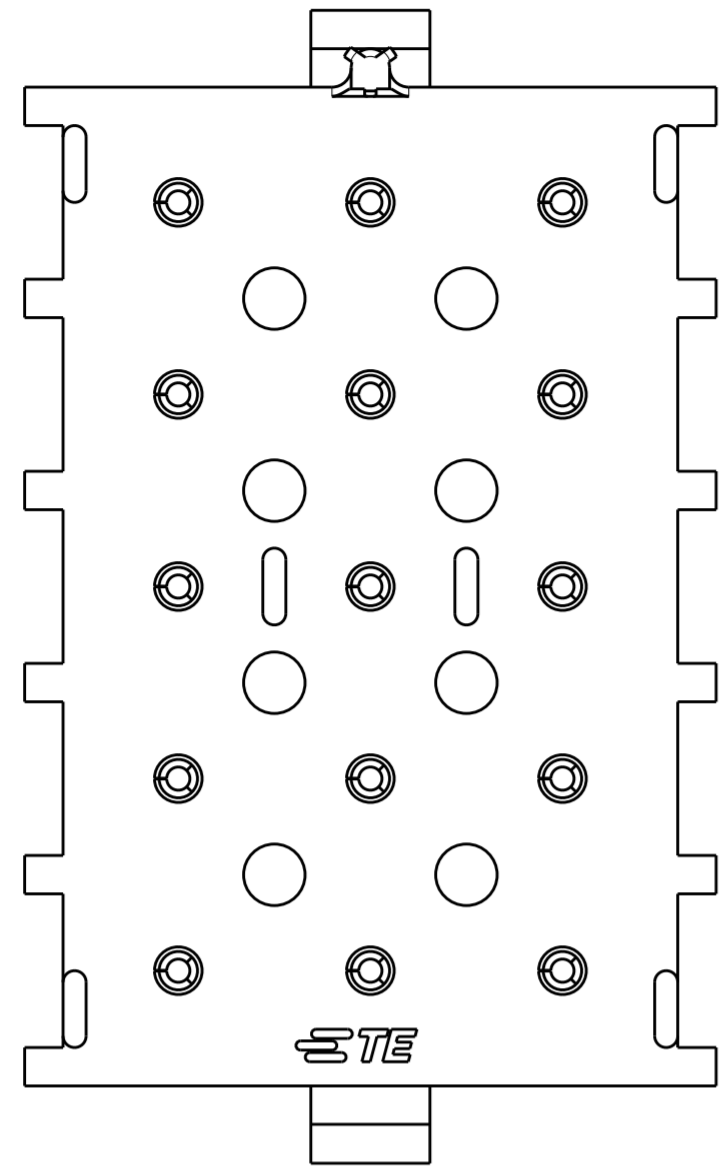
RECOMMENDED MOUNTING HOLE PATTERN FOR 1.57 THICK PC BOARD SCALE 4:1

2213756-3, 1-2213756-3 SHOWN

THIS DRAWING IS A CONTROLLED DOCUMENT.		DWN J. SHAFFER 02NOV2015	STE TE Connectivity	
DIMENSIONS: mm		CHK M. MOSTOLLER 02NOV2015		
TOLERANCES UNLESS OTHERWISE SPECIFIED:		APVD M. MOSTOLLER 02NOV2015	NAME 3 ROW SOCKET HEADER ASSEMBLY, UMNL, HIGH TEMPERATURE	
0 PLC ±		PRODUCT SPEC 108-1053	SIZE A2	
1 PLC ±0.5		APPLICATION SPEC 114-133083	CAGE CODE -	
2 PLC ±0.13		WEIGHT -	DRAWING NO C-2213756	
3 PLC ±		CUSTOMER DRAWING	RESTRICTED TO -	
4 PLC ±			SCALE 2:1 SHEET 3 OF 4 REV A1	
ANGLES ±				
FINISH -				

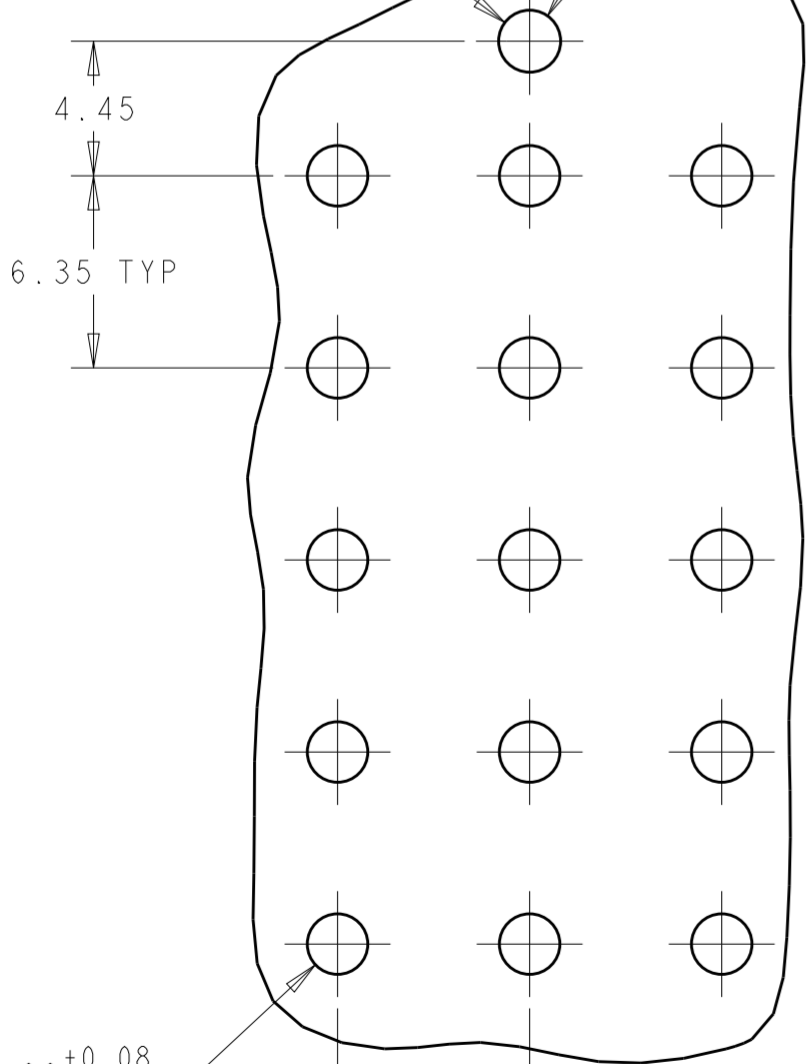
THIS DRAWING IS UNPUBLISHED. RELEASED FOR PUBLICATION 20
 © COPYRIGHT 20 BY - ALL RIGHTS RESERVED.

REVISIONS				
P	LTR	DESCRIPTION	DATE	APVD
		SEE SHEET 1		



Ø 2.05 ± 0.05
NON-PLATED
THRU HOLE

FOR POLARIZATION
FEATURE



Ø 2.00 +0.08
-0.03
PLATED
THRU
HOLE

6.35
TYP

RECOMMENDED MOUNTING HOLE PATTERN
FOR 1.57 THICK PC BOARD
SCALE 4:1

2213756-4, 1-2213756-4
SHOWN

THIS DRAWING IS A CONTROLLED DOCUMENT.		DWN J. SHAFFER 02NOV2015	TE Connectivity	
DIMENSIONS:		CHK M. MOSTOLLER 02NOV2015		
mm	TOLERANCES UNLESS OTHERWISE SPECIFIED:	APVD M. MOSTOLLER 02NOV2015	NAME 3 ROW SOCKET HEADER ASSEMBLY, UMNL, HIGH TEMPERATURE	
0 PLC ±	1 PLC ±0.5	PRODUCT SPEC 108-1053	SIZE A2	CAGE CODE -
2 PLC ±0.13	3 PLC ±	APPLICATION SPEC 114-133083	DRAWING NO C-2213756	RESTRICTED TO -
4 PLC ±	ANGLES ±	WEIGHT -	SCALE 2:1	SHEET 4 OF 4
MATERIAL -	FINISH -	CUSTOMER DRAWING	REV A1	

X-ON Electronics

Largest Supplier of Electrical and Electronic Components

Click to view similar products for [Pin & Socket Connectors](#) category:

Click to view products by [TE Connectivity](#) manufacturer:

Other Similar products are found below :

[6450822-1](#) [770392-1](#) [794042-1](#) [796885-1](#) [8-794535-1](#) [881459-2](#) [R929993003](#) [1-350779-3](#) [1403611-1](#) [1-480349-5](#) [1586092-1](#) [1586129-1](#)
[1586487-1](#) [1586681-4](#) [1586700-1](#) [1586065-1](#) [1586077-1](#) [1586368-1](#) [1586380-1](#) [1586680-5](#) [1586681-2](#) [1604996-1](#) [16-06-0038](#) [164164-5](#) [1-](#)
[6609930-1](#) [172296-1](#) [1-794714-6](#) [19-09-2035](#) [1969804-1](#) [200503-1](#) [200788-2](#) [201046-7](#) [202648-4](#) [2029076-2](#) [2029090-4](#) [2029095-4](#) [2-](#)
[66102-6](#) [925061-7](#) [926681-1](#) [293734-4](#) [293737-2](#) [1-765362-4](#) [1-794606-3](#) [1871534-1](#) [1969795-1](#) [1969798-1](#) [1969800-1](#) [200833-4](#)
[2008625-2](#) [2029027-2](#)