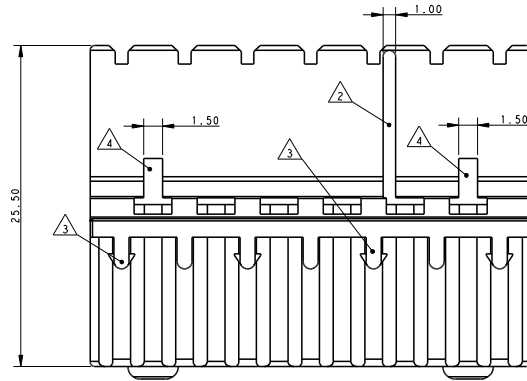
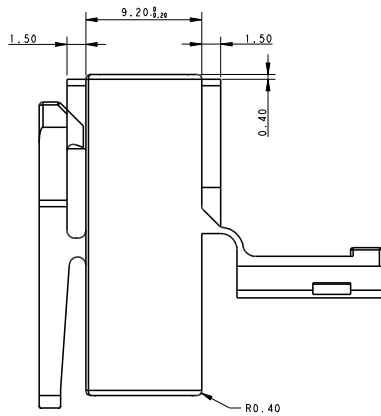
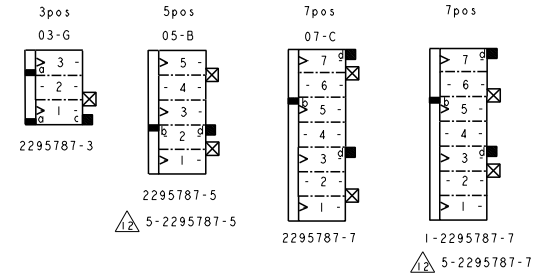
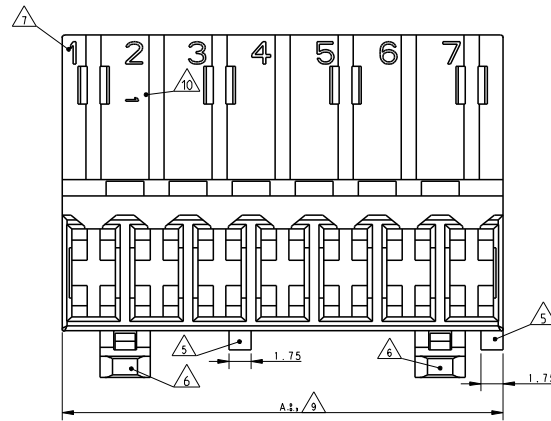
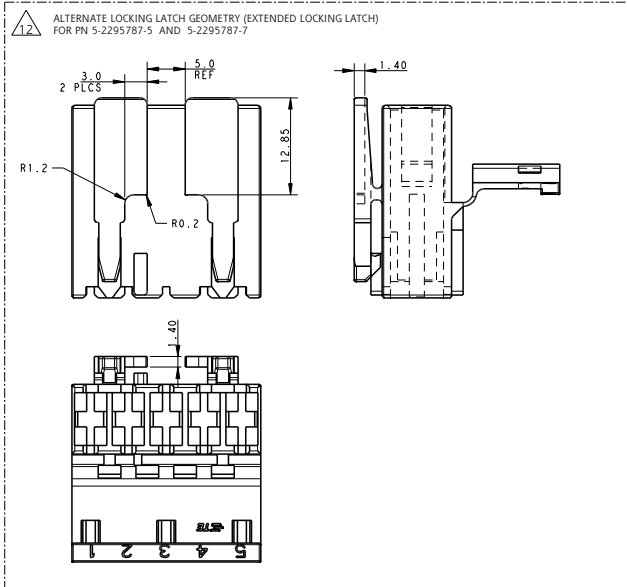


REVISIONS				
REV	DESCRIPTION	DATE	BY	APP
A	ECR-17-008597	15JUN2017	MKD	RR
A1	ECR-17-011707	14AUG2017	LZ	RR



NOTES

- ⚠ MATERIAL: PA66 UL94-V0 GW750°C NF CTI 350V
- ⚠ POLARIZATION RIB GO THROUGH TO HINGE. POSITION "a" OR "b". AT CAVITY NO....
- ⚠ LOCKING DEVICE FOR COVER AT CAVITY NO
- ⚠ MATING STOP BETWEEN CAVITY NO 1 AND 2 ALSO BETWEEN THE LAST ONE AND LAST BUT ONE CAVITY
- ⚠ KEYING RIB POSITION "c" OR POSITION "d" AT CAVITY NO
- ⚠ LOCKING LATCH BETWEEN CAVITY NO
- ⚠ CONTACT CAVITY NO
- ⚠ AREA FOR TE LOGO
- ⚠ DIMENSION A AND DIMENSION B SEE TABLE
- ⚠ CAVITY MARKING
- ⚠ PRELIMINARY PART NUMBER
- ⚠ ALTERNATE LOCKING LATCH GEOMETRY



PART NO.	POS.	RAST 5	DIM A	MATERIAL	COLOUR
5-2295787-7	7	-	35	⚠	NATURE
1-2295787-7	7	-	35		
2295787-7	7	07-C	35		
5-2295787-5	5	05-B	25		
2295787-5	5	05-B	25		
2295787-3	3	03-G	15		

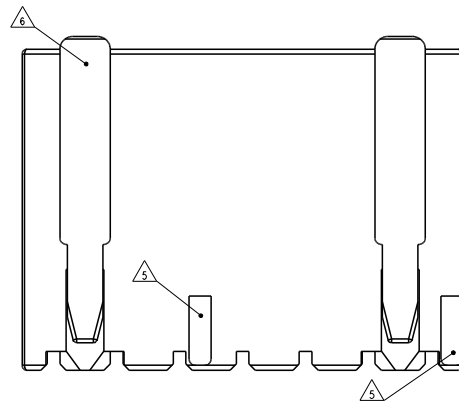
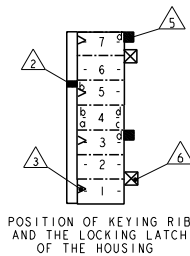
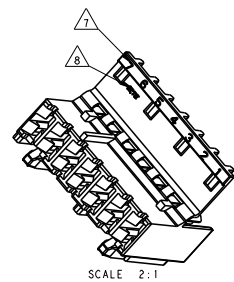
THIS DRAWING IS A CONTROLLED DOCUMENT.

DATE: 12MAY2016  
 CDR: Federico LUPO  
 DATE: 20MAY2016  
 CDR: Riccardo RABAZZI

TE Connectivity  
 STANDARD-TIMER HOUSING

MATERIAL: PA66  
 FINISH: -  
 HEIGHT: -

SCALE: 3:1  
 SHEET: 1 OF 1  
 REV: A1



D

D

C

C

B

B

A

A

## X-ON Electronics

Largest Supplier of Electrical and Electronic Components

*Click to view similar products for [Headers & Wire Housings](#) category:*

*Click to view products by [TE Connectivity](#) manufacturer:*

Other Similar products are found below :

[95000-104TRLF](#) [10135584-644402LF](#) [DF62W-EP2022PCA](#) [95000-106TRLF](#) [DF62W-2022SCA](#) [DF62W-EP2022PC](#) [2203348](#) [DF62W-2022SC](#) [1084018](#) [1029039](#) [1084017](#) [802-10-012-10-002000](#) [1112640](#) [1112639](#) [000-34000](#) [0009482033](#) [0009507031](#) [57102-S06-03LF](#) [57202-S52-04LF](#) [PCN6-15S-2.5E](#) [0039019024](#) [58102-G61-06LF](#) [582553-1](#) [0009485154](#) [0009508121](#) [0022285053](#) [0050291907](#) [018731A](#) [LY20-4P-DT1-P1E-BR](#) [02.125.8002.8](#) [60101931](#) [60598-1 \(Cut Strip\)](#) [M1625-3R/100](#) [61062-3](#) [61082-181009](#) [636-1427](#) [638009-1](#) [641938-9](#) [641991-4](#) [644168-1](#) [647662-1](#) [65039-019ELF](#) [65781-047](#) [65817-002LF](#) [65817-015LF](#) [65863-015LF](#) [66207-023LF](#) [67016-026LF](#) [67046-001LF](#) [67095-007LF](#)