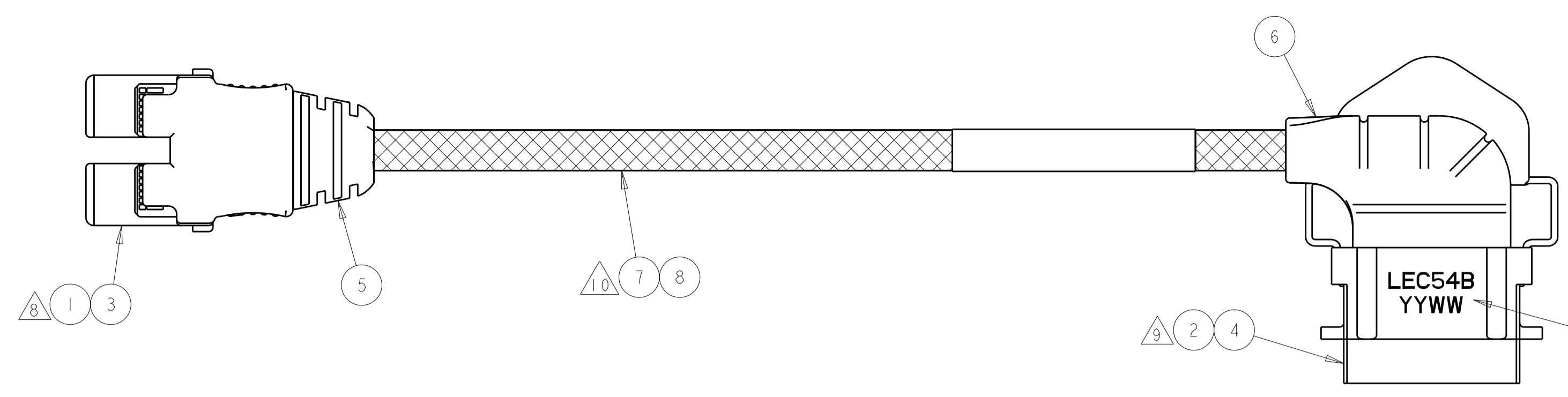
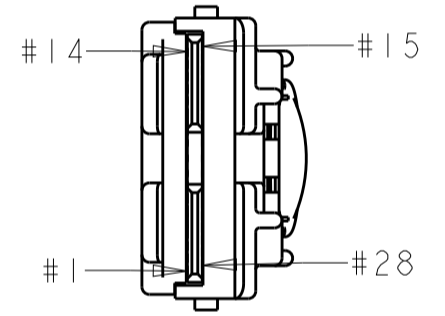
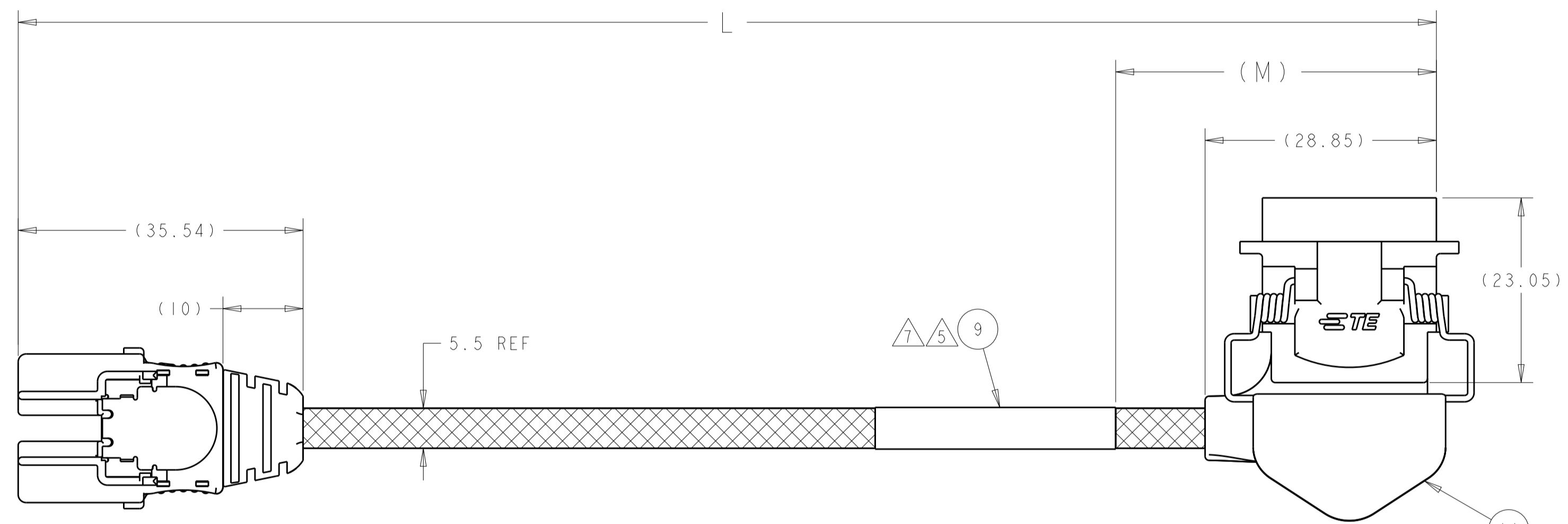
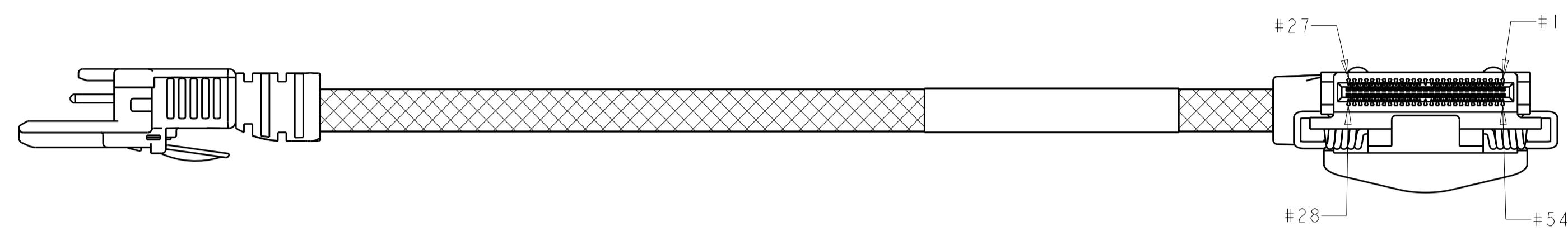


REVISIONS				
P	LTN	DESCRIPTION	DATE	APPD
A		RELEASED PER ECO-17-004604	02MAR2017	CP GL

CABLE PINOUT			
PAIR	PIN NAME	P1	P2
GROUND BUS	-	1	1
1	HF10_RX_DN(1)	2	2
	HF10_RX_DP(1)	3	3
GROUND BUS	-	4	4
GROUND BUS	-	28	4
2	HF10_RX_DN(2)	27	5
	HF10_RX_DP(2)	26	6
GROUND BUS	-	25	7
3	HF10_RX_DN(3)	5	8
	HF10_RX_DP(3)	6	9
GROUND BUS	-	25	10
4	HF10_RX_DN(4)	24	11
	HF10_RX_DP(4)	23	12
GROUND BUS	-	22	13
GROUND BUS	-	7	14
GROUND BUS	-	8	15
5	HF10_TX_DP(4)	9	16
	HF10_TX_DN(4)	10	17
GROUND BUS	-	21	18
6	HF10_TX_DP(3)	20	19
	HF10_TX_DN(3)	19	20
GROUND BUS	-	11	21
7	HF10_TX_DP(2)	12	22
	HF10_TX_DN(2)	13	23
GROUND BUS	-	14	24
GROUND BUS	-	18	24
8	HF10_TX_DP(1)	17	25
	HF10_TX_DN(1)	16	26
GROUND BUS	-	15	27



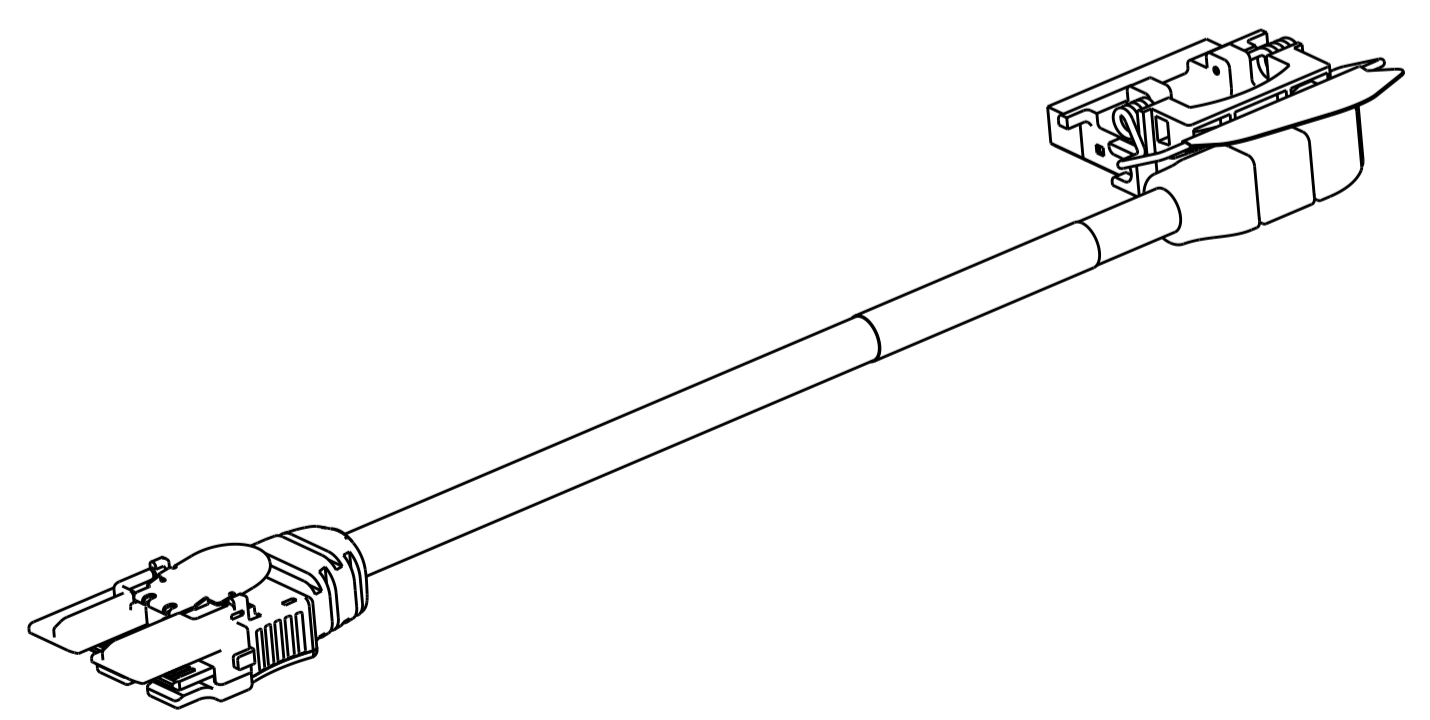
CONNECTOR MARKED WITH CONNECTOR TYPE AND DATE CODE



P1

P2

2821723-1, -2, -3, -5, -6



△ WRAP (SHEET 1)	60	600±5	-	2821723-6	△12
△ WRAP (SHEET 1)	60	460±5	-	2821723-5	△12
△ FLAG (SHEET 2)	60	142±5	-	2821723-4	
△ WRAP (SHEET 1)	40	515±5	H95969-005	2821723-3	△12
△ WRAP (SHEET 1)	100	371±5	H68075-005	2821723-2	
△ WRAP (SHEET 1)	40	335±5	H95968-005	2821723-1	
LABEL TYPE	(M)	L	INTEL PART NO	TE PART NO	

1	1	1	1	1	1	PULL TAB	11
-	-	1	-	-	-	LABEL, FLAG	10
1	1	-	1	1	1	LABEL, WRAP	9
AR	AR	AR	AR	AR	AR	SLEEVING, EXPANDABLE	8
AR	AR	AR	AR	AR	AR	85 OHM TWINAX CABLE, 30AWG 25G TURBO TWIN™ △10	7
1	1	1	1	1	1	OVERMOLDED STRAIN RELIEF, LECB	6
1	1	1	1	1	1	OVERMOLDED STRAIN RELIEF, IFP	5
1	1	1	1	1	1	DUST COVER, LECB (NOT SHOWN)	4
1	1	1	1	1	1	DUST COVER, IFP (NOT SHOWN)	3
1	1	1	1	1	1	LEC 54B RECPT, 54 POSN	2
1	1	1	1	1	1	IFP PLUG, 28 POSN	1
-6	-5	-4	-3	-2	-1	DESCRIPTION	ITEM NO

THIS DRAWING IS A CONTROLLED DOCUMENT.

OWN: T. SMITH 17JUL2016
 CHG: C. POGASH 17JUL2016
 APPD: -

DIMENSIONS: mm
 TOLERANCES UNLESS OTHERWISE SPECIFIED:
 0 PLC ±
 1 PLC ±0.5
 2 PLC ±0.13
 3 PLC ±0.013
 4 PLC ±
 ANGLES ±

MATERIAL: -
 FINISH: -

PRODUCT SPEC: -
 APPLICATION SPEC: -
 WEIGHT: -

CUSTOMER DRAWING

NAME: IFP ASSEMBLY, TYPE B, LEFT EXIT 1-PORT, NON-INVERTED.
 SIZE: A1
 CAGE CODE: -
 DRAWING NO: 2821723
 RESTRICTED TO: -

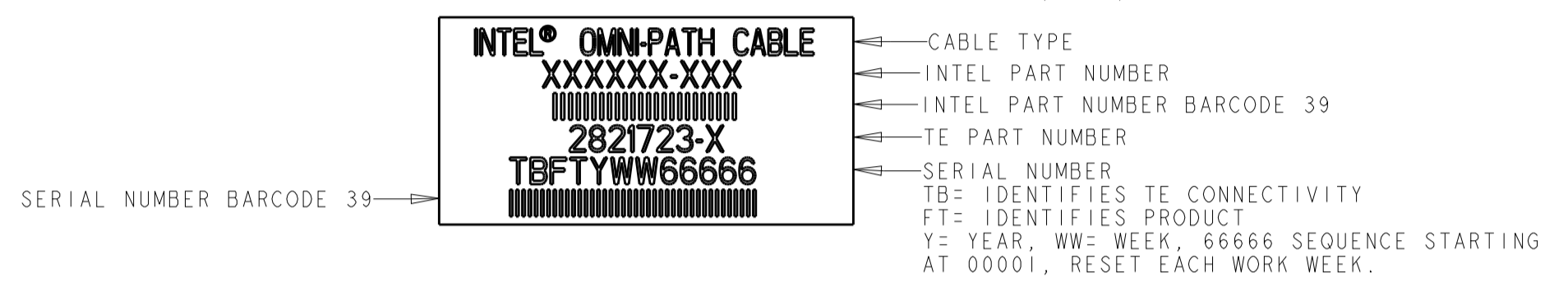
SCALE: 2:1
 SHEET: 1 OF 2
 REV: A

STE TE Connectivity

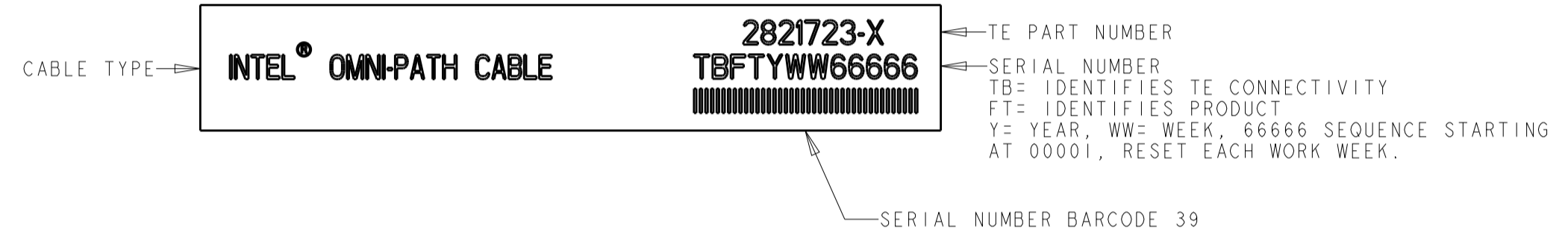
REVISIONS				
P.	LTN	DESCRIPTION	DATE	OWN APVD
		SEE SHEET 1		

1. THIS ASSEMBLY CONFORMS TO INTEL PART NO. (SEE TABLE).
2. EACH ASSEMBLY TESTED FOR OPENS, SHORTS AND SIGNAL INTEGRITY.
3. ROHS AND REACH COMPLIANCE; PRODUCT AND PROCESSING MEETS THE REQUIREMENTS OF TE SPECIFICATION TEC-138-702.
4. EACH ASSEMBLY PACKAGED IN AN ANTISTATIC BAG.

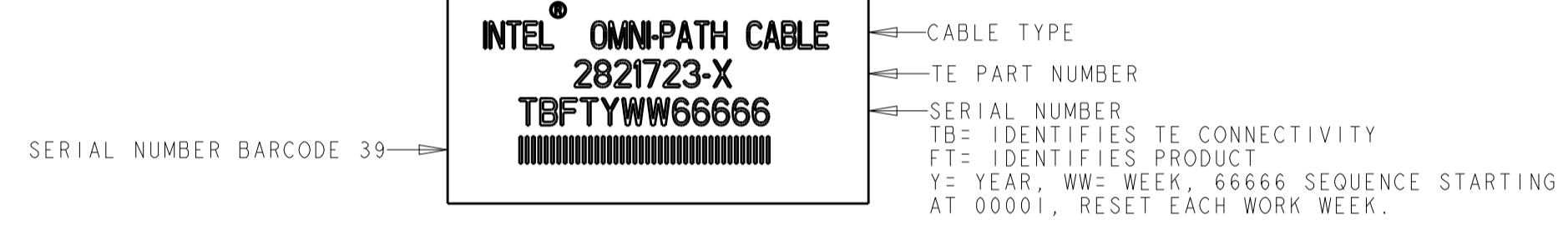
5 LABEL INFORMATION (ITEM 9): 2821723-1, -2, -3



6 LABEL INFORMATION (ITEM 10): 2821723-4



7 LABEL INFORMATION (ITEM 9): 2821723-5, -6



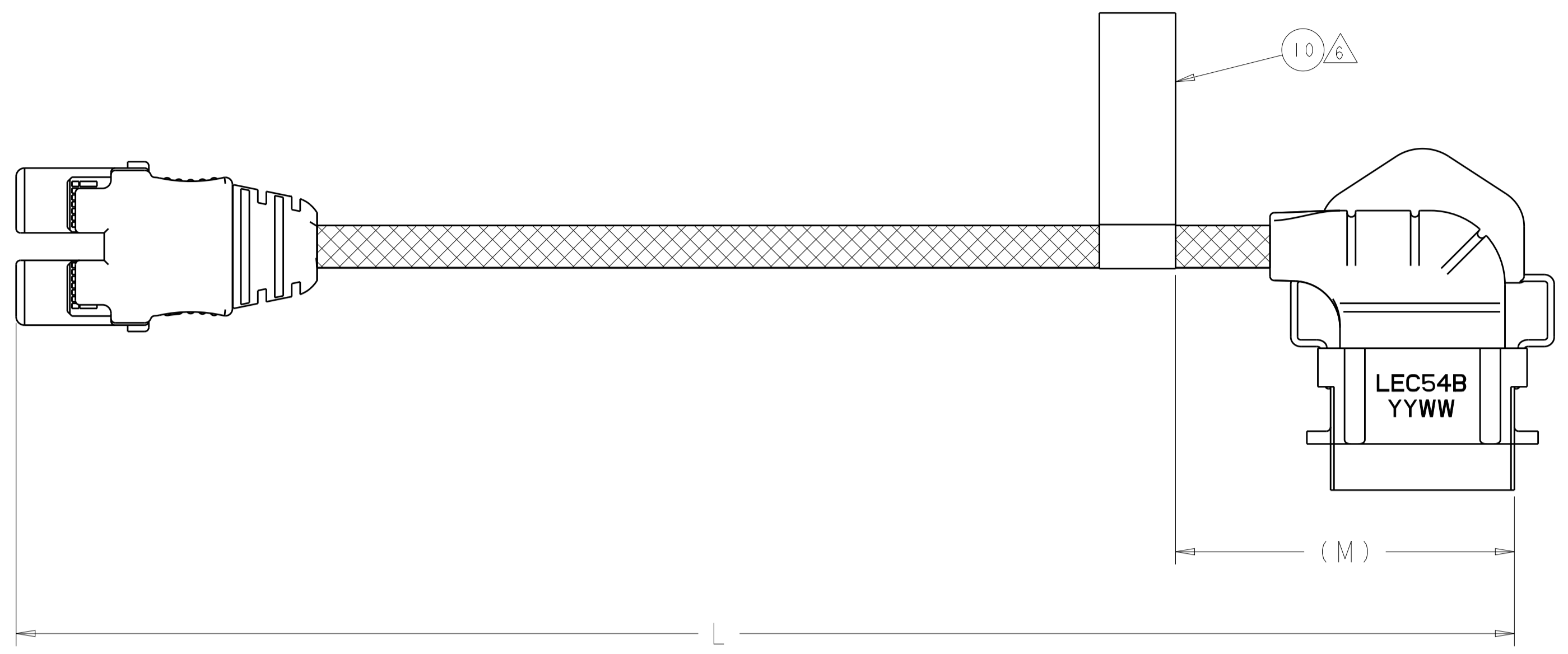
8 FINISH (CONTACT PADS): 30μIN MINIMUM GOLD PER TE SPEC 112-162-1 OVER 100μIN MINIMUM NICKEL PER TE SPEC 112-25-2.

9 FINISH: 50μIN MINIMUM GOLD PER TE SPEC 112-162-5, IN LOCALIZED GOLD PLATE AREA, OVER 50μIN MINIMUM NICKEL PER TE SPEC 112-25-2 ON ENTIRE STOCK.

10 CABLE PART #: 023B2LF023
 CABLE SPEC: 104-1587

11. CABLE ASSEMBLY BUILT IN ACCORDANCE WITH INTEL DESIGN GUIDE 1.0

12 CABLE ASSEMBLY LENGTH OFFERED BY TE IS NOT REFERENCED WITHIN INTEL DESIGN GUIDE 1.0



**2821723-4
 FLAG LABEL
 REQUIREMENT
 ALL ASSEMBLY REQUIREMENTS
 SAME AS -1 EXCEPT FOR
 LABEL**

THIS DRAWING IS A CONTROLLED DOCUMENT.		OWN T. SMITH 17 JUL 2016	TE Connectivity	
DIMENSIONS:		CHK C. POGASH 17 JUL 2016	NAME IFP ASSEMBLY, TYPE B, LEFT EXIT 1-PORT, NON-INVERTED.	
mm	TOLERANCES UNLESS OTHERWISE SPECIFIED:	APVD	PRODUCT SPEC	RESTRICTED TO
	0 PLC ±		APPLICATION SPEC	
	1 PLC ±0.5			
	2 PLC ±0.13			
	3 PLC ±0.013			
	4 PLC ±			
	ANGLES ±			
	FINISH ±			
MATERIAL		WEIGHT	SIZE A1	CAGE CODE C=2821723
			DRAWING NO C=2821723	REVISION A
		CUSTOMER DRAWING	SCALE 2:1	SHEET 2 OF 2

X-ON Electronics

Largest Supplier of Electrical and Electronic Components

Click to view similar products for [Specialized Cables category](#):

Click to view products by [TE Connectivity manufacturer](#):

Other Similar products are found below :

[585P5S5S](#) [603PT6](#) [603SS6L](#) [604PT6](#) [604SS6](#) [654PT2](#) [654ST2](#) [M83513/04-H02C](#) [M83513/04-H13C](#) [FFA.3S.787.CN](#) [84914-0235](#) [84914-0237](#) [9-1589475-0](#) [1200650264](#) [1200650355](#) [1200650362](#) [1200650392](#) [1200650442](#) [1200650843](#) [1200650880](#) [1200650968](#) [1200651246](#)
[1200651756](#) [1200680096](#) [1200690050](#) [1200690242](#) [1200700133](#) [1200700176](#) [1200700178](#) [1200700218](#) [120070-0224](#) [1200700267](#)
[1200730058](#) [1200730360](#) [120115-0033](#) [1201150044](#) [1200650368](#) [1200650505](#) [1200651330](#) [1200651454](#) [1200651516](#) [1200651571](#)
[1200651580](#) [1200651601](#) [1200652122](#) [1200680196](#) [1200690085](#) [1200690095](#) [1200690153](#) [1200700088](#)