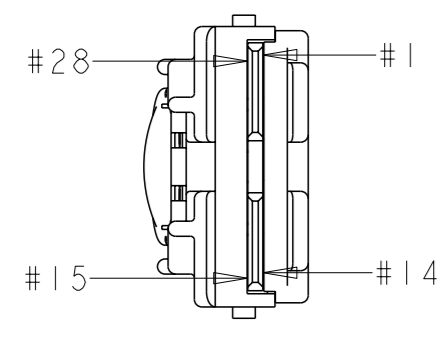
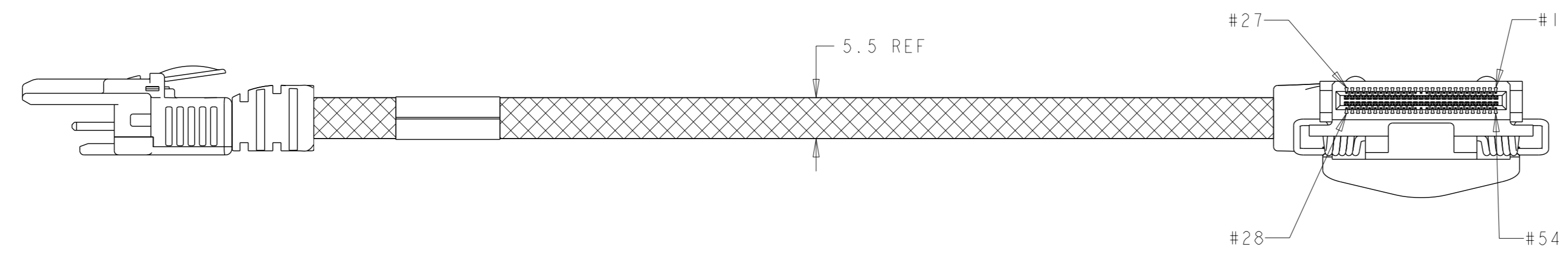
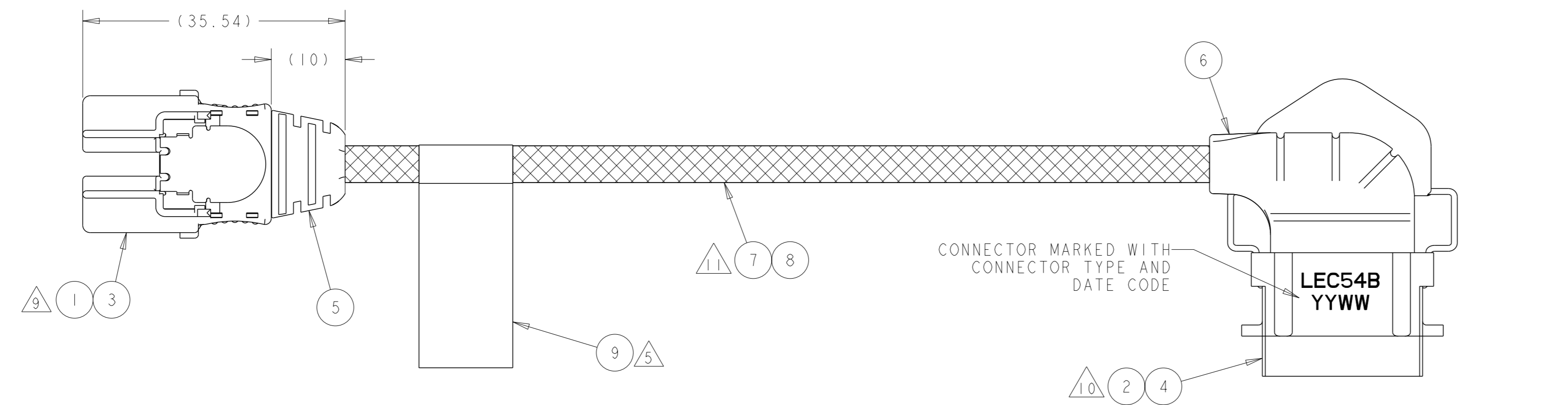


REVISIONS				
#	DATE	DESCRIPTION	OWN	APVD
A	03APR2017	RELEASED	GL	CP
B	20APR2017	REVISED PER ECO-17-004604	CP	GL
C	19SEP2017	REVISED ECO-17-013749	GL	CP

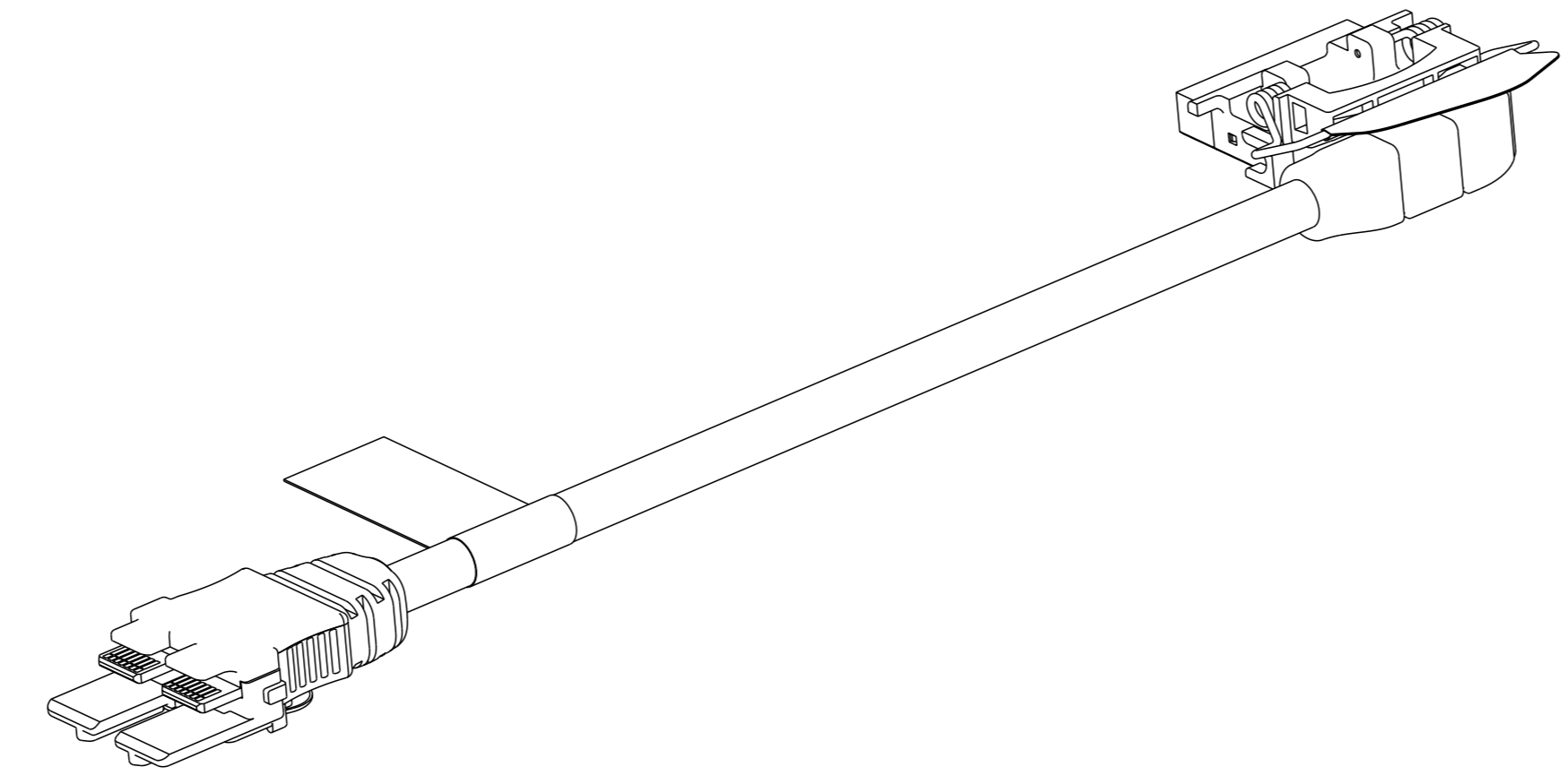


P1 2821724-1 P2

△6	WRAP (SHEET 2)	40	235±5	H79267-005	1-2821724-1△3
△7	WRAP (SHEET 2)	60	405±5	-	2821724-7
△7	WRAP (SHEET 2)	60	500±5	-	2821724-6△12
△6	WRAP (SHEET 2)	60	439±5	H74964-005	2821724-5
△7	WRAP (SHEET 2)	60	419±5	-	2821724-4
△6	WRAP (SHEET 2)	100	318±5	H86176-005	2821724-3
△6	WRAP (SHEET 2)	40	235±5	H79267-005	2821724-2
△5	FLAG (SHEET 1)	60	178±5	H74963-005	2821724-1
	LABEL TYPE	(M)	L	INTEL PART NO	TE PART NO

CABLE PINOUT			
PAIR	PIN NAME	P1	P2
GROUND BUS	-	1	1
1	HF10_RX_DN(1)	2	2
	HF10_RX_DP(1)	3	3
GROUND BUS	-	4	4
GROUND BUS	-	28	4
2	HF10_RX_DN(2)	27	5
	HF10_RX_DP(2)	26	6
GROUND BUS	-	25	7
3	HF10_RX_DN(3)	5	8
	HF10_RX_DP(3)	6	9
GROUND BUS	-	25	10
4	HF10_RX_DN(4)	24	11
	HF10_RX_DP(4)	23	12
GROUND BUS	-	22	13
GROUND BUS	-	7	14
GROUND BUS	-	8	15
5	HF10_TX_DP(4)	9	16
	HF10_TX_DN(4)	10	17
GROUND BUS	-	21	18
6	HF10_TX_DP(3)	20	19
	HF10_TX_DN(3)	19	20
GROUND BUS	-	11	21
7	HF10_TX_DP(2)	12	22
	HF10_TX_DN(2)	13	23
GROUND BUS	-	14	24
GROUND BUS	-	18	24
8	HF10_TX_DP(1)	17	25
	HF10_TX_DN(1)	16	26
GROUND BUS	-	15	27

											PULL TAB	11
											LABEL, WRAP	10
											LABEL, FLAG	9
AR	AR	AR	AR	AR	AR	AR	AR	AR	AR	AR	SLEEVING, EXPANDABLE	8
AR	AR	AR	AR	AR	AR	AR	AR	AR	AR	AR	85 OHM TWINAX CABLE, 30AWG 25G TURBO TWIN™ △1	7
											OVERMOLDED STRAIN RELIEF, LECB	6
											OVERMOLDED STRAIN RELIEF, IFP	5
											DUST COVER, LECB (NOT SHOWN)	4
											DUST COVER, IFP (NOT SHOWN)	3
											LEC 54B RECPT, 54 POSN	2
											IFP PLUG, 28 POSN	1
1-1	-7	-6	-5	-4	-3	-2	-1				DESCRIPTION	ITEM NO



THIS DRAWING IS A CONTROLLED DOCUMENT. OWN: T. SMITH 13JUL2016. CHK: C. POGASH 13JUL2016. APVD: -

DIMENSIONS: mm. TOLERANCES UNLESS OTHERWISE SPECIFIED: 0 PLC ±. 1 PLC ±0.5. 2 PLC ±0.13. 3 PLC ±0.013. 4 PLC ±. ANGLES FINISH: \*

MATERIAL: -. FINISH: -. WEIGHT: -. CUSTOMER DRAWING

NAME: IFP ASSEMBLY, TYPE B, LEFT EXIT 1-PORT, INVERTED. SIZE: A1. CAGE CODE: -. DRAWING NO: 2821724. RESTRICTED TO: -. SCALE: 2:1. SHEET 1 OF 2. REV C.

TE Connectivity

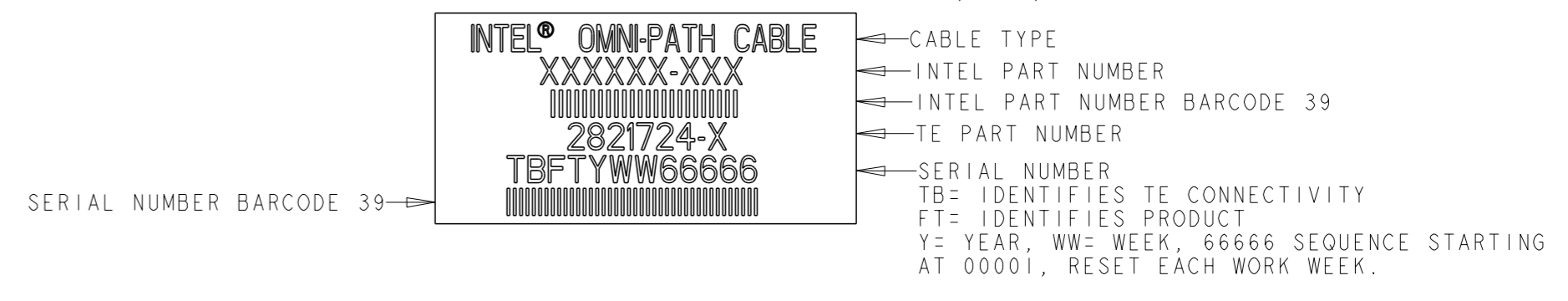
REVISIONS				
#	DATE	DESCRIPTION	OWN	APVD
1		SEE SHEET 1		

1. THIS ASSEMBLY CONFORMS TO INTEL PART NO. (SEE TABLE).
2. EACH ASSEMBLY TESTED FOR OPENS, SHORTS AND SIGNAL INTEGRITY.
3. ROHS AND REACH COMPLIANCE: PRODUCT AND PROCESSING MEETS THE REQUIREMENTS OF THE SPECIFICATION TEC-138-702.
4. EACH ASSEMBLY PACKAGED IN AN ANTISTATIC BAG.

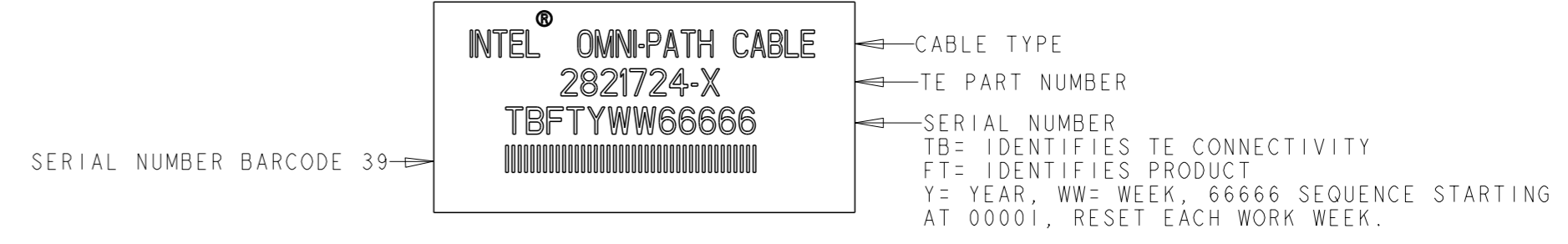
5 LABEL INFORMATION: (ITEM 9): 2821724-1 (SEE SHEET 1)



6 LABEL INFORMATION (ITEM 10): 2821724-2, -3, -5



7 LABEL INFORMATION (ITEM 10): 2821724-4, -6, -7



8. CABLE ASSEMBLY BUILT IN ACCORDANCE WITH INTEL DESIGN GUIDE 1.0

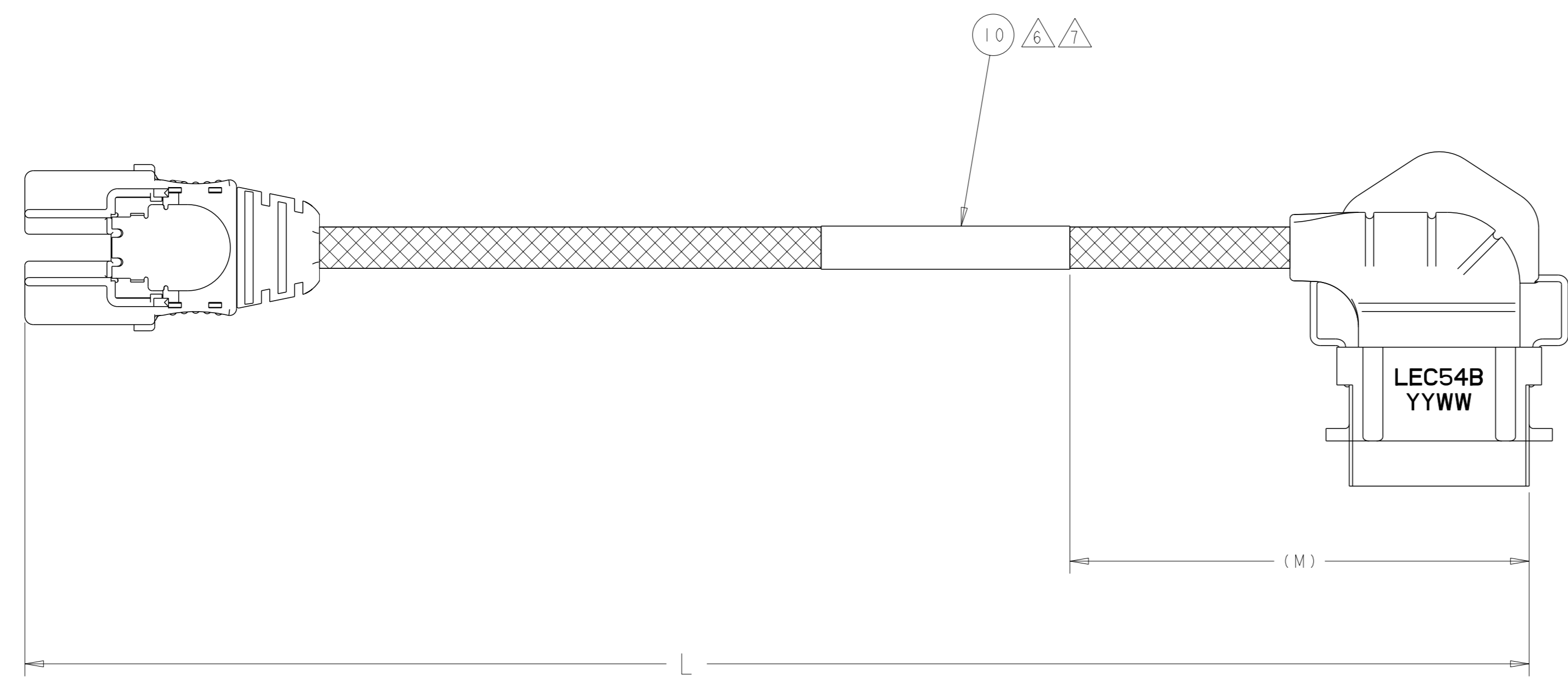
9 FINISH (CONTACT PADS): 30µIN MINIMUM GOLD PER TE SPEC 112-162-1 OVER 100µIN MINIMUM NICKEL PER TE SPEC 112-25-2.

10 FINISH: 50µIN MINIMUM GOLD PER TE SPEC 112-162-5, IN LOCALIZED GOLD PLATE AREA, OVER 50µIN MINIMUM NICKEL PER TE SPEC 112-25-2 ON ENTIRE STOCK.

11 CABLE PART #: 023B2LF023  
CABLE SPEC: 104-1587

12 CABLE ASSEMBLY LENGTH OFFERED BY TE IS NOT REFERENCED WITHIN INTEL DESIGN GUIDE 1.0

13 REQUIRED SPECIAL PACKAGE FOLLOWING CUSTOMER SPEC: J51641\_Omnipath\_kit\_TE.docx AND BELOW TABLE.



**2821724-2, -3, -4, -5, -6, -7, 1-1  
 WRAP AROUND LABEL  
 REQUIREMENT  
 ALL ASSEMBLY REQUIREMENTS  
 SAME AS -1 EXCEPT FOR  
 LABEL**

PC - L6 SYSTEMS - GOLD	DESCRIPTION	UPC/EAN	MM	TA	TA REV	PBA#/ITEM/SPARE	TE CROSS PN
AXXCBL2351FPL1	1FT Omnipath Left 235 mm	UPC: 735858346092 EAN: 5032037106375	958252	J53188-001	1	H79267-005	1-2821724-1

THIS DRAWING IS A CONTROLLED DOCUMENT.		OWN T. SMITH 13JUL2016	TE Connectivity
DIMENSIONS:		CHK C. POGASH 13JUL2016	
mm	TOLERANCES UNLESS OTHERWISE SPECIFIED:	APVD	NAME
0 PLC ±	1 PLC ±0.5	PRODUCT SPEC	IFP ASSEMBLY, TYPE B, LEFT EXIT
2 PLC ±0.13	3 PLC ±0.13	APPLICATION SPEC	1-PORT, INVERTED
4 PLC ±	ANGLES ±	SIZE	A1
MATERIAL	FINISH	WEIGHT	CAGE CODE DRAWING NO
			C=2821724
		CUSTOMER DRAWING	RESTRICTED TO
		SCALE 2:1	SHEET 2 OF 2
			REV C

## X-ON Electronics

Largest Supplier of Electrical and Electronic Components

*Click to view similar products for [Specialized Cables category](#):*

*Click to view products by [TE Connectivity manufacturer](#):*

Other Similar products are found below :

[585P5S5S](#) [603PT6](#) [603SS6L](#) [604PT6](#) [604SS6](#) [654PT2](#) [654ST2](#) [M83513/04-H02C](#) [M83513/04-H13C](#) [FFA.3S.787.CN](#) [84914-0235](#) [84914-0237](#) [9-1589475-0](#) [1200650264](#) [1200650355](#) [1200650362](#) [1200650392](#) [1200650442](#) [1200650843](#) [1200650880](#) [1200650968](#) [1200651246](#)  
[1200651756](#) [1200680096](#) [1200690050](#) [1200690242](#) [1200700133](#) [1200700176](#) [1200700178](#) [1200700218](#) [120070-0224](#) [1200700267](#)  
[1200730058](#) [1200730360](#) [120115-0033](#) [1201150044](#) [1200650368](#) [1200650505](#) [1200651330](#) [1200651454](#) [1200651516](#) [1200651571](#)  
[1200651580](#) [1200651601](#) [1200652122](#) [1200680196](#) [1200690085](#) [1200690095](#) [1200690153](#) [1200700088](#)