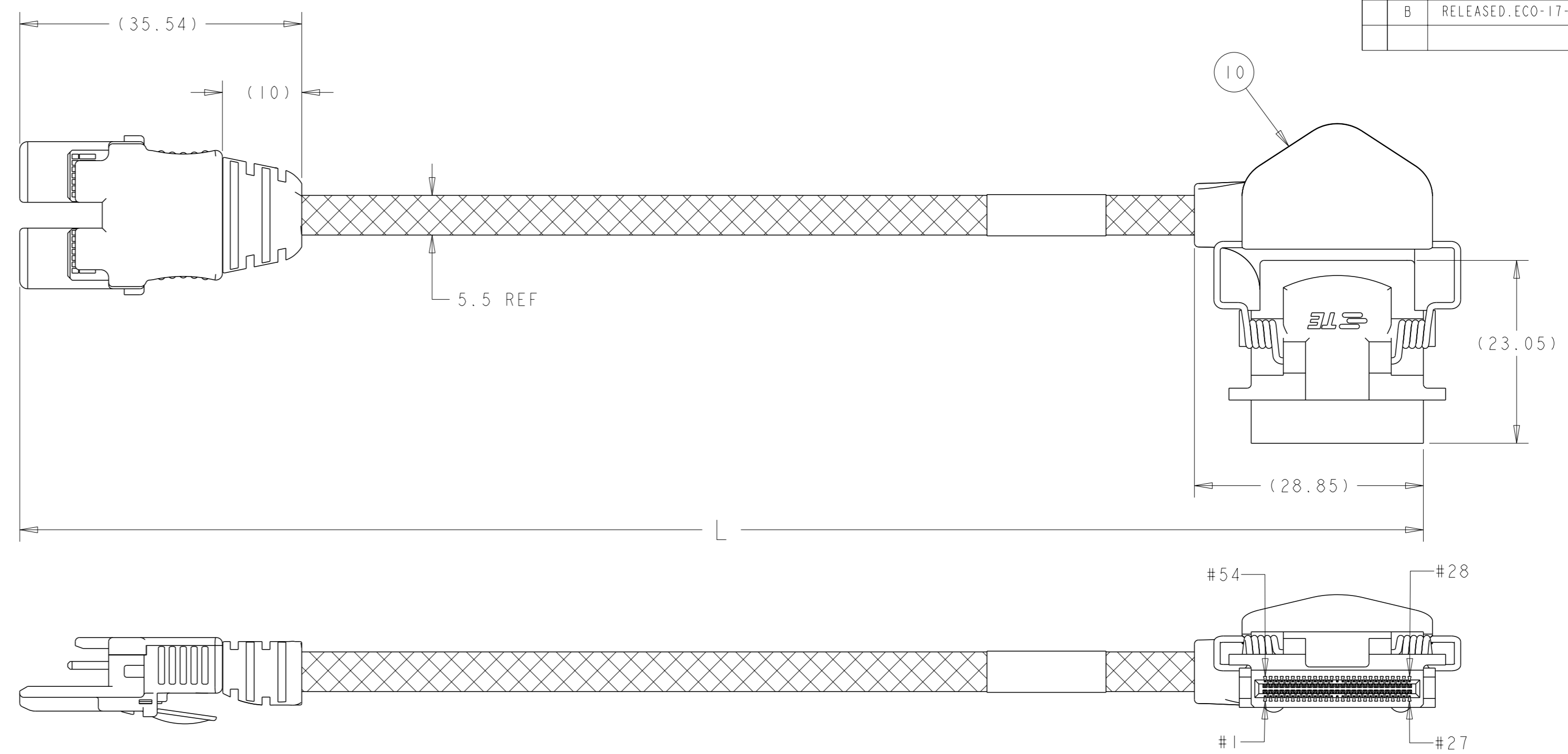
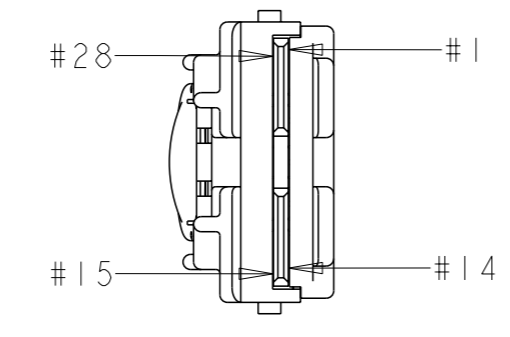
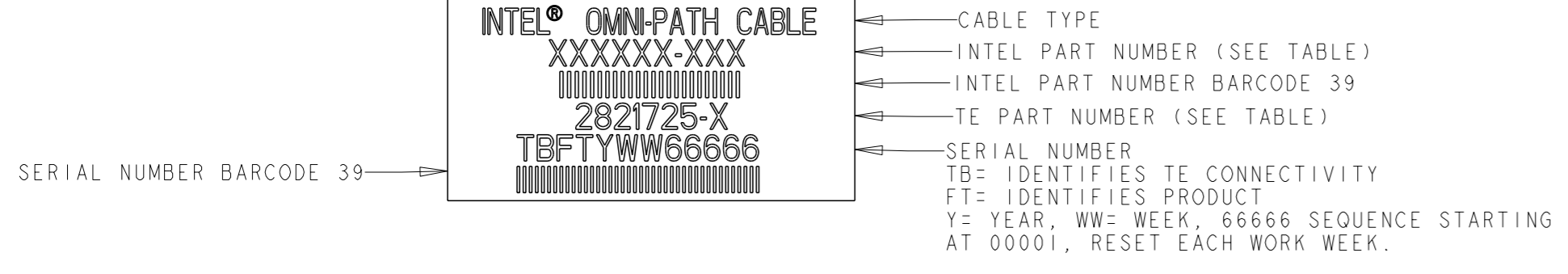


REVISIONS				
#	DATE	DESCRIPTION	OWN	APVD
A	05MAY2017	RELEASED.ECO-17-004604	GL	CP
A1	15AUG2017	RELEASED.ECO-17-011897	TZ	CP
B	19SEP2017	RELEASED.ECO-17-013749	GL	CP

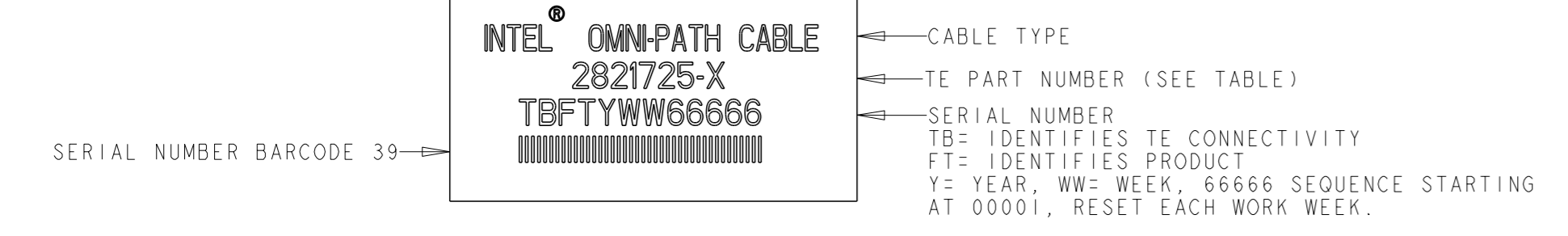
CABLE PINOUT			
PAIR	PIN NAME	P1	P2
GROUND BUS	-	1	1
1	HF10_RX_DN(1)	2	2
	HF10_RX_DP(1)	3	3
GROUND BUS	-	4	4
GROUND BUS	-	28	4
2	HF10_RX_DN(2)	27	5
	HF10_RX_DP(2)	26	6
GROUND BUS	-	25	7
3	HF10_RX_DN(3)	5	8
	HF10_RX_DP(3)	6	9
GROUND BUS	-	25	10
4	HF10_RX_DN(4)	24	11
	HF10_RX_DP(4)	23	12
GROUND BUS	-	22	13
GROUND BUS	-	7	14
GROUND BUS	-	8	15
5	HF10_TX_DP(4)	9	16
	HF10_TX_DN(4)	10	17
GROUND BUS	-	21	18
6	HF10_TX_DP(3)	20	19
	HF10_TX_DN(3)	19	20
GROUND BUS	-	11	21
7	HF10_TX_DP(2)	12	22
	HF10_TX_DN(2)	13	23
GROUND BUS	-	14	24
GROUND BUS	-	18	24
8	HF10_TX_DP(1)	17	25
	HF10_TX_DN(1)	16	26
GROUND BUS	-	15	27



- THIS ASSEMBLY CONFORMS TO INTEL PART NO. (SEE TABLE).
  - EACH ASSEMBLY TESTED FOR OPENS, SHORTS AND SIGNAL INTEGRITY.
  - ROHS AND REACH COMPLIANCE: PRODUCT AND PROCESSING MEETS THE REQUIREMENTS OF TE SPECIFICATION TEC-138-702.
  - EACH ASSEMBLY PACKAGED IN AN ANTISTATIC BAG.
- 5 LABEL INFORMATION: 2821725-1, -2, -8, -9.



- 6 LABEL INFORMATION: 2821725-3, -4, -5.



7. CABLE ASSEMBLY BUILT IN ACCORDANCE WITH INTEL DESIGN GUIDE 1.0

- 8 FINISH (CONTACT PADS): 30µIN MINIMUM GOLD PER TE SPEC 112-162-1 OVER 100µIN MINIMUM NICKEL PER TE SPEC 112-25-2

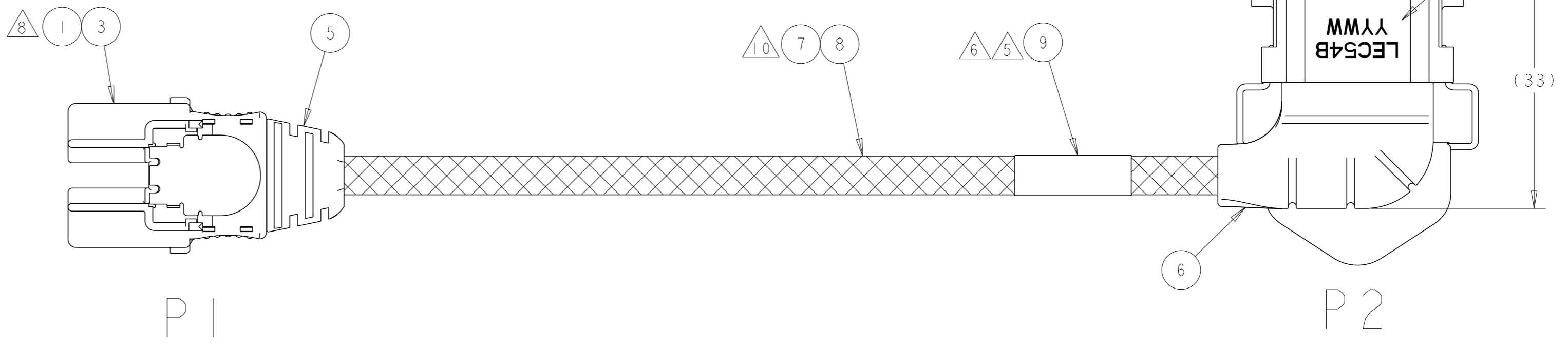
- 9 FINISH: 50µIN MINIMUM GOLD PER TE SPEC 112-162-5, IN LOCALIZED GOLD PLATE AREA, OVER MINIMUM NICKEL PER TE SPEC 112-25-2 ON ENTIRE STOCK

- 10 CABLE PART #: 023B2LF023  
CABLE SPEC: 104-1587

- 11 CABLE ASSEMBLY LENGTH OFFERED BY TE IS NOT REFERENCED WITHIN INTEL DESIGN GUIDE 1.0

- 12 REQUIRED SPECIAL PACKAGE FOLLOWING CUSTOMER SPEC: J51641-Omnipath\_kit-TE.docx AND BELOW TABLE.

PC-L6 SYSTEMS-GOLD	DESCRIPTION	UPC/EAN	MM	TA	TA REV	PBA#/ITEM/SPARE	TE CROSS PN
AXXCBL2351FPRI	IFT Omnipath Right 235 mm	UPC: 735858346078 EAN: 5032037106351	958250	J51641-001	I	H79272-005	2821725-8
AXXCBL3701FPSI	IFT Omnipath Right 370 mm	UPC: 735858346085 EAN: 5032037106368	958251	J51642-001	I	H79275-005	2821725-9



CONNECTOR MARKED WITH CONNECTOR TYPE AND DATE CODE

5	WRAP	370±5	H79275-005	2821725-9	12
5	WRAP	235±5	H79272-005	2821725-8	12
6	WRAP	405±5	-	2821725-5	
6	WRAP	300±5	-	2821725-4	
6	WRAP	500±5	-	2821725-3	11
5	WRAP	370±5	H79275-005	2821725-2	
5	WRAP	235±5	H79272-005	2821725-1	
LABEL TYPE		L	INTEL PART NO	TE PART NO	

	DESCRIPTION	ITEM NO
I	PULL TAB	10
I	LABEL, WRAP	9
AR	SLEEVING, EXPANDABLE	8
AR	85 OHM TWINAX CABLE, 30AWG 25G TURBO TWIN™	7
I	OVERMOLDED STRAIN RELIEF, LECB	6
I	OVERMOLDED STRAIN RELIEF, IFP	5
I	DUST COVER, LECA (NOT SHOWN)	4
I	DUST COVER, IFP (NOT SHOWN)	3
I	LEC 54B RECPT, 54 POSN.	2
I	IFP PLUG, 28 POSN.	1
-9		
-8		
-5		
-4		
-3		
-2		
-1		

THIS DRAWING IS A CONTROLLED DOCUMENT. OWN: T. SMITH 12JUL2016, CHK: C. POGASH 12JUL2016, APVD: -

DIMENSIONS: mm. TOLERANCES UNLESS OTHERWISE SPECIFIED: 0 PLC ±, 1 PLC ±, 2 PLC ±, 3 PLC ±, 4 PLC ±, ANGLES FINISH ±.

MATERIAL: -

PRODUCT SPEC: -

APPLICATION SPEC: -

WEIGHT: -

CUSTOMER DRAWING: -

NAME: IFT ASSEMBLY, TYPE B, RIGHT EXIT 1-PORT, INVERTED.

SIZE: A1, CAGE CODE: -

DRAWING NO: 2821725

RESTRICTED TO: -

SCALE: 4:1, SHEET: 1 OF 1, REV: B

## X-ON Electronics

Largest Supplier of Electrical and Electronic Components

*Click to view similar products for [Specialized Cables](#) category:*

*Click to view products by [TE Connectivity](#) manufacturer:*

Other Similar products are found below :

[585P5S5S](#) [603PT6](#) [603SS6L](#) [604PT6](#) [604SS6](#) [654PT2](#) [654ST2](#) [M83513/04-H02C](#) [M83513/04-H13C](#) [FFA.3S.787.CN](#) [84914-0235](#) [84914-0237](#) [9-1589475-0](#) [1200650264](#) [1200650355](#) [1200650362](#) [1200650392](#) [1200650442](#) [1200650843](#) [1200650880](#) [1200650968](#) [1200651246](#)  
[1200651756](#) [1200680096](#) [1200690050](#) [1200690242](#) [1200700133](#) [1200700176](#) [1200700178](#) [1200700218](#) [120070-0224](#) [1200700267](#)  
[1200730058](#) [1200730360](#) [120115-0033](#) [1201150044](#) [1200650368](#) [1200650505](#) [1200651330](#) [1200651454](#) [1200651516](#) [1200651571](#)  
[1200651580](#) [1200651601](#) [1200652122](#) [1200680196](#) [1200690085](#) [1200690095](#) [1200690153](#) [1200700088](#)