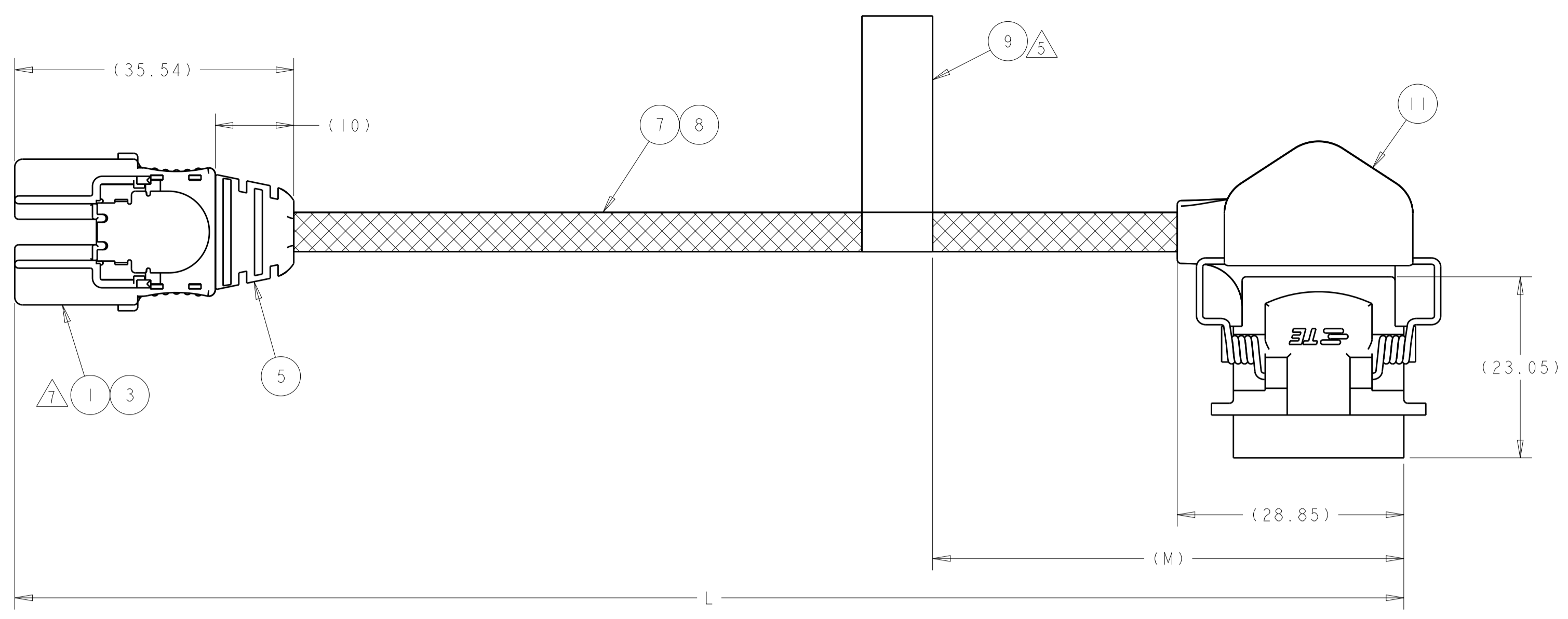
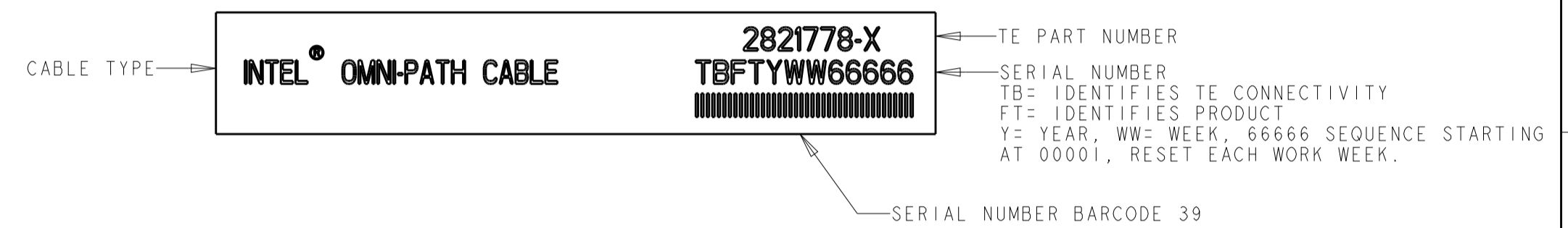


REVISIONS				
P	LTN	DESCRIPTION	DATE	OWN APVD
A1	ECO-17-007675		01JUN2017	GL CP

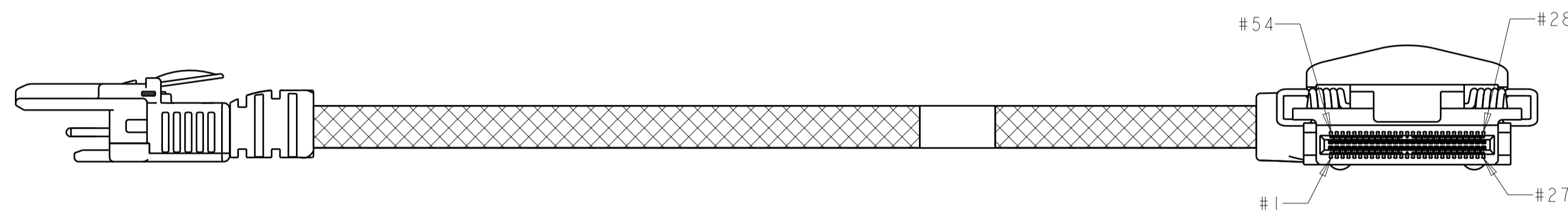
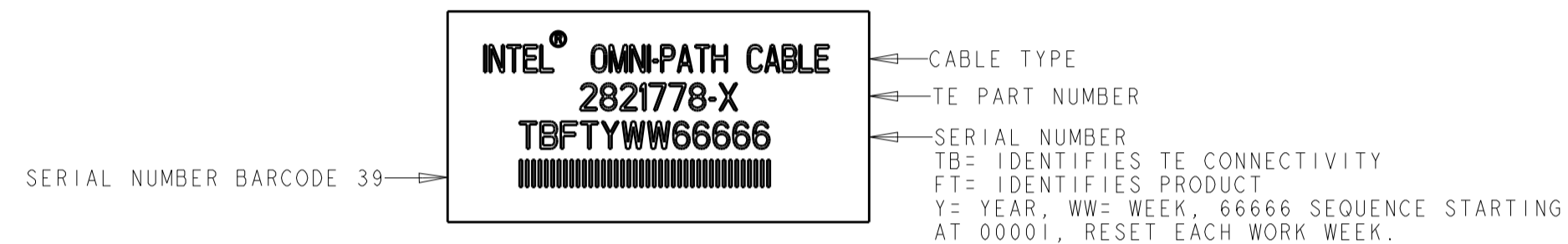


1. THIS ASSEMBLY CONFORMS TO INTEL PART NO. (SEE TABLE).
2. EACH ASSEMBLY TESTED FOR OPENS, SHORTS AND SIGNAL INTEGRITY.
3. ROHS AND REACH COMPLIANCE: PRODUCT AND PROCESSING MEETS THE REQUIREMENTS OF TE SPECIFICATION TEC-138-702.
4. EACH ASSEMBLY PACKAGED IN AN ANTISTATIC BAG.

△ LABEL INFORMATION: (ITEM 9): 2821778-1



△ LABEL INFORMATION (ITEM 10): 2821778-2, -3. (SEE SHEET 2)



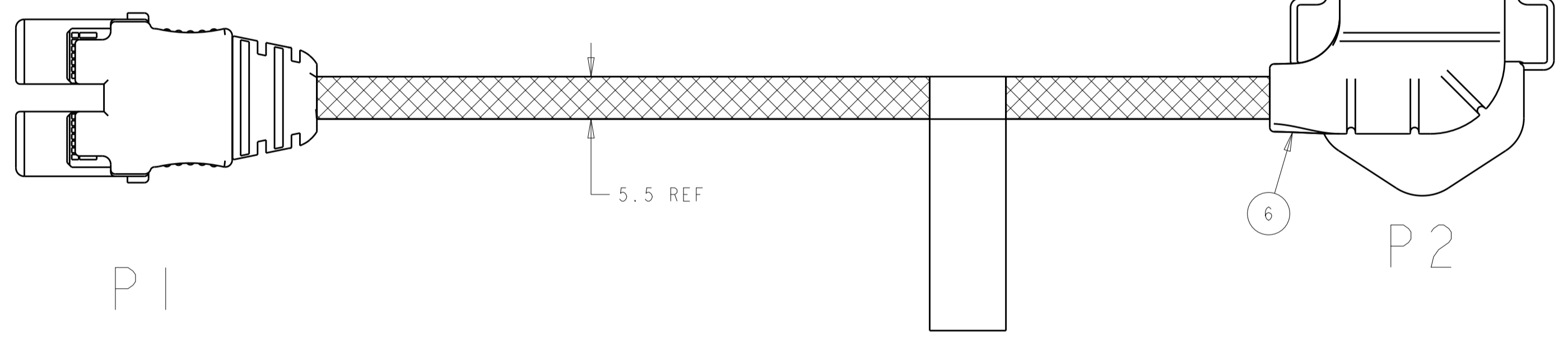
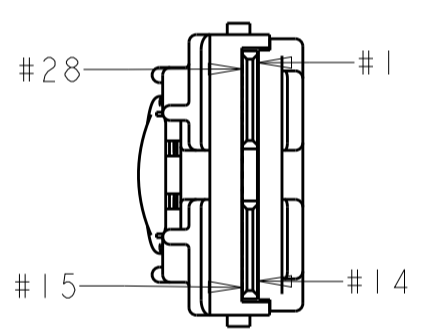
△ FINISH (CONTACT PADS): 30μIN MINIMUM GOLD PER TE SPEC 112-162-1 OVER 100μIN MINIMUM NICKEL PER TE SPEC 112-25-2.

△ FINISH: 50μIN MINIMUM GOLD PER TE SPEC 112-162-5, IN LOCALIZED GOLD PLATE AREA, OVER 50μIN MINIMUM NICKEL PER TE 112-25-2 ON ENTIRE STOCK.

△ CABLE PART #: 023B2LF023
CABLE SPEC: 104-1587.

10. CABLE ASSEMBLY BUILT IN ACCORDANCE WITH INTEL DESIGN GUIDE 1.0

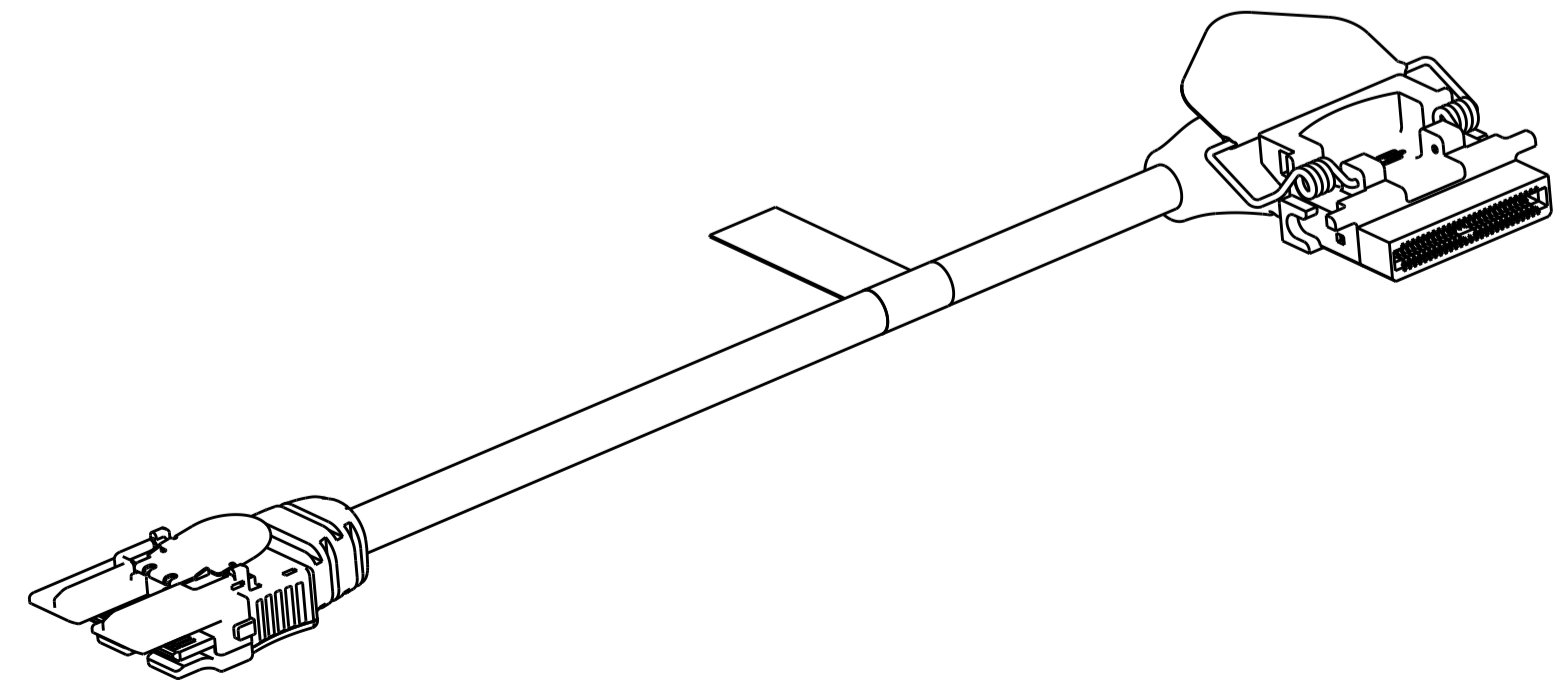
△ CABLE ASSEMBLY LENGTH OFFERED BY TE IS NOT REFERENCED WITHIN INTEL DESIGN GUIDE 1.0



CONNECTOR MARKED WITH CONNECTOR TYPE AND DATE CODE
MMYY
LECS4B

CABLE PINOUT			
PAIR	PIN NAME	P1	P2
GROUND BUS	-	1	1
1	HF10_RX_DN(1)	2	2
	HF10_RX_DP(1)	3	3
GROUND BUS	-	4	4
GROUND BUS	-	28	4
2	HF10_RX_DN(2)	27	5
	HF10_RX_DP(2)	26	6
GROUND BUS	-	25	7
3	HF10_RX_DN(3)	5	8
	HF10_RX_DP(3)	6	9
GROUND BUS	-	25	10
4	HF10_RX_DN(4)	24	11
	HF10_RX_DP(4)	23	12
GROUND BUS	-	22	13
GROUND BUS	-	7	14
GROUND BUS	-	8	15
5	HF10_TX_DP(4)	9	16
	HF10_TX_DN(4)	10	17
GROUND BUS	-	21	18
6	HF10_TX_DP(3)	20	19
	HF10_TX_DN(3)	19	20
GROUND BUS	-	11	21
7	HF10_TX_DP(2)	12	22
	HF10_TX_DN(2)	13	23
GROUND BUS	-	14	24
GROUND BUS	-	18	24
8	HF10_TX_DP(1)	17	25
	HF10_TX_DN(1)	16	26
GROUND BUS	-	15	27

2821778-1

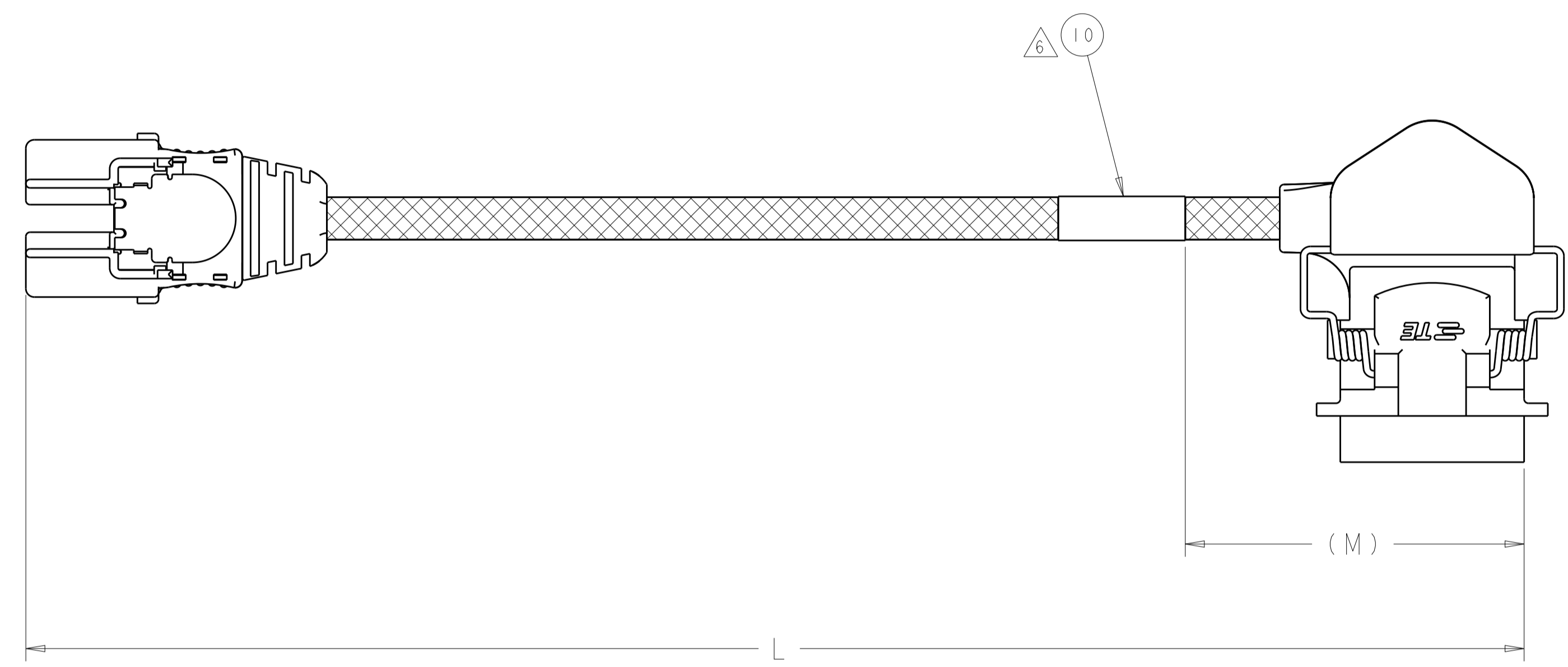


△ 6	WRAP (SHEET 2)	60	610±10	-	2821778-3
△ 6	WRAP (SHEET 2)	60	460±5	-	2821778-2
△ 5	FLAG (SHEET 1)	60	142±5	-	2821778-1
	LABEL TYPE	(M)	L	INTEL PART NO	TE PART NO

			DESCRIPTION	ITEM NO
I	I	I	PULL TAB	11
I	I	-	LABEL, WRAP	10
-	-	I	LABEL, FLAG	9
AR	AR	AR	SLEEVING, EXPANDABLE	8
AR	AR	AR	85 OHM TWINAX CABLE, 30AWG 25G TURBO TWIN™	7
I	I	I	OVERMOLDED STRAIN RELIEF, LECB	6
I	I	I	OVERMOLDED STRAIN RELIEF, IFP	5
I	I	I	DUST COVER, LECB (NOT SHOWN)	4
I	I	I	DUST COVER, IFP (NOT SHOWN)	3
I	I	I	LEC 54B RECPT, 54 POSN	2
I	I	I	IFP PLUG, 28 POSN	1
-3	-2	-1		

THIS DRAWING IS A CONTROLLED DOCUMENT.		OWN T. SMITH 15JUL2016	TE Connectivity	
DIMENSIONS:		CHK C. POGASH 15JUL2016	NAME IFP ASSEMBLY, TYPE B, RIGHT EXIT 1-PORT, NON-INVERTED.	
TOLERANCES UNLESS OTHERWISE SPECIFIED:		APVD	PRODUCT SPEC	
mm			APPLICATION SPEC	
0 PLC ±0.5			SIZE CAGE CODE DRAWING NO	
1 PLC ±0.5			RESTRICTED TO	
2 PLC ±0.13			A1 - C=2821778	
3 PLC ±0.013			SCALE 1:1 SHEET 1 OF 2 REV A1	
4 PLC ±				
ANGLES ±				
FINISH				
MATERIAL				
WEIGHT				
CUSTOMER DRAWING				

REVISIONS				
P.	LTN	DESCRIPTION	DATE	OWN APVD
		SEE SHEET 1		



2821778-2,-3
 WRAP AROUND LABEL
 REQUIREMENT
 ALL ASSEMBLY REQUIREMENTS
 SAME AS -1 EXCEPT FOR
 LABEL

THIS DRAWING IS A CONTROLLED DOCUMENT.		OWN T. SMITH 15JUL2016		
DIMENSIONS:		CHK C. POGASH 15JUL2016		
mm	TOLERANCES UNLESS OTHERWISE SPECIFIED:	APVD	NAME	IFP ASSEMBLY, TYPE B, RIGHT EXIT
0 PLC ±	1 PLC ±0.5	PRODUCT SPEC		I-PORT, NON-INVERTED.
2 PLC ±0.13	3 PLC ±0.013	APPLICATION SPEC	SIZE	A1
4 PLC ±	ANGLES ±	WEIGHT	CAGE CODE	-
MATERIAL	FINISH	CUSTOMER DRAWING	DRAWING NO	©=2821778
			SCALE	1:1
			SHEET	2 OF 2
			REV	A1

X-ON Electronics

Largest Supplier of Electrical and Electronic Components

Click to view similar products for [Specialized Cables](#) category:

Click to view products by [TE Connectivity](#) manufacturer:

Other Similar products are found below :

[585P5S5S](#) [603PT6](#) [603SS6L](#) [604PT6](#) [604SS6](#) [654PT2](#) [654ST2](#) [M83513/04-H02C](#) [M83513/04-H13C](#) [FFA.3S.787.CN](#) [84914-0235](#) [84914-0237](#) [9-1589475-0](#) [1200650264](#) [1200650355](#) [1200650362](#) [1200650392](#) [1200650442](#) [1200650843](#) [1200650880](#) [1200650968](#) [1200651246](#)
[1200651756](#) [1200680096](#) [1200690050](#) [1200690242](#) [1200700133](#) [1200700176](#) [1200700178](#) [1200700218](#) [120070-0224](#) [1200700267](#)
[1200730058](#) [1200730360](#) [120115-0033](#) [1201150044](#) [1200650368](#) [1200650505](#) [1200651330](#) [1200651454](#) [1200651516](#) [1200651571](#)
[1200651580](#) [1200651601](#) [1200652122](#) [1200680196](#) [1200690085](#) [1200690095](#) [1200690153](#) [1200700088](#)