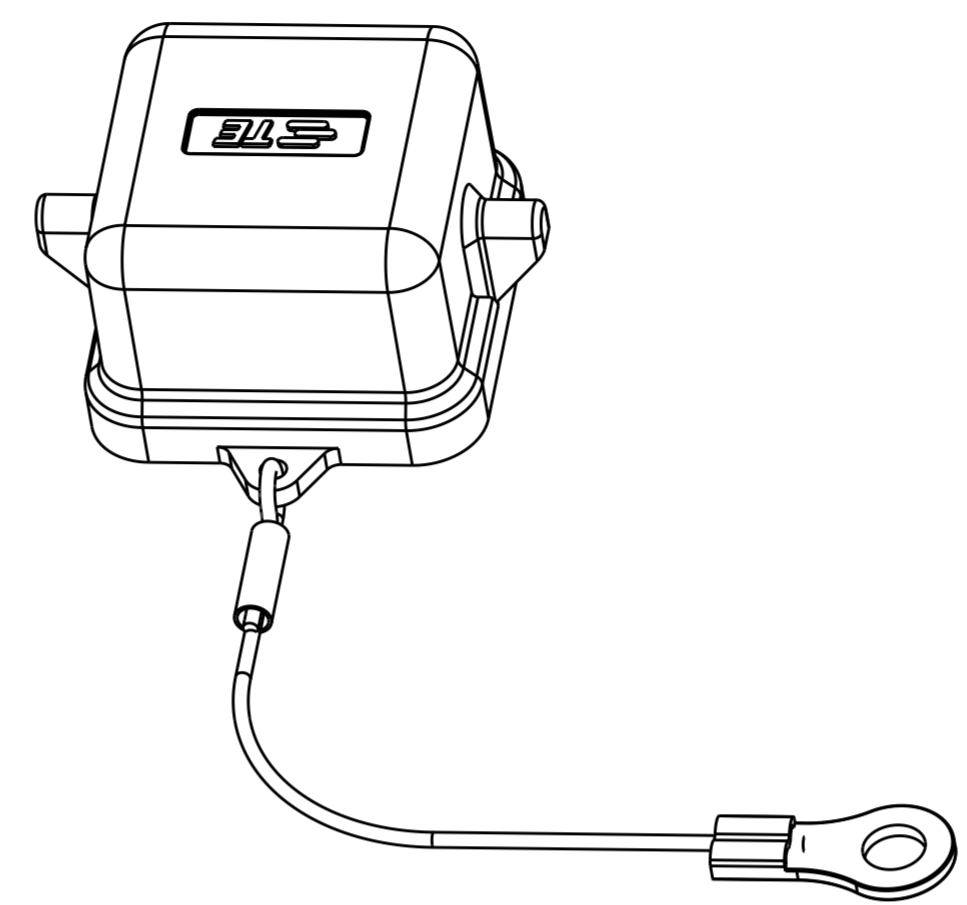
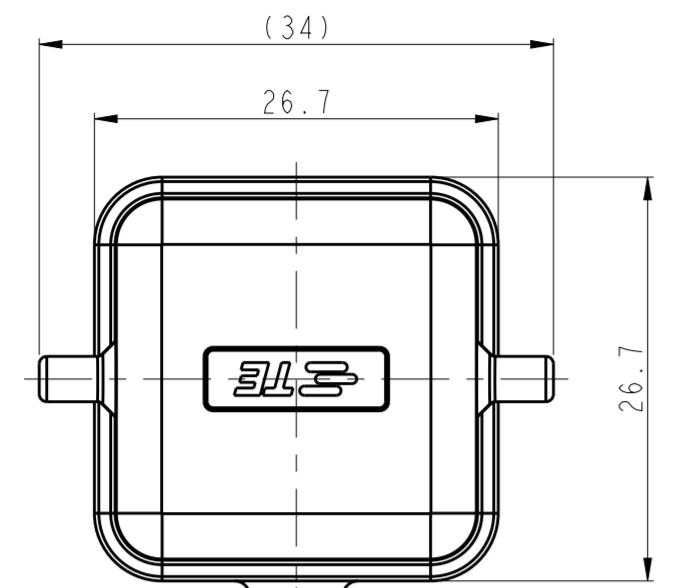


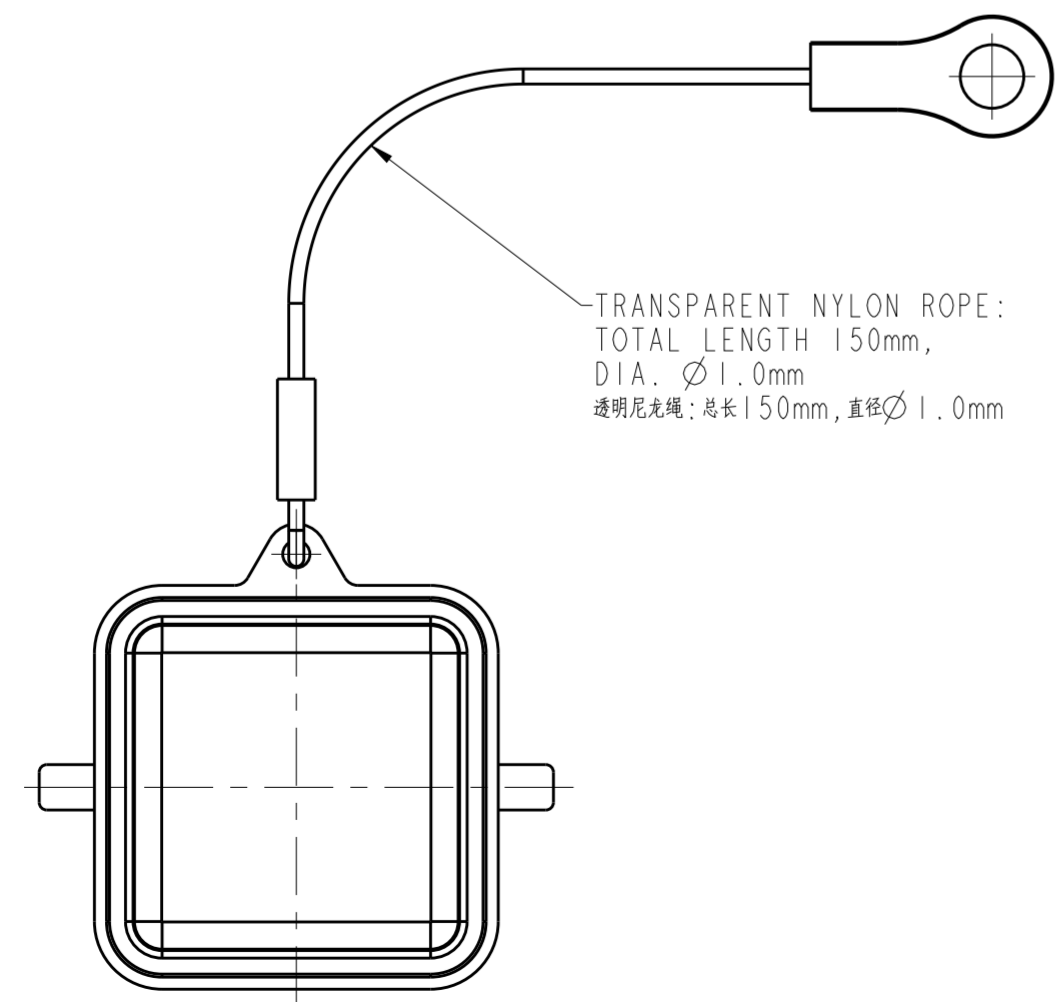
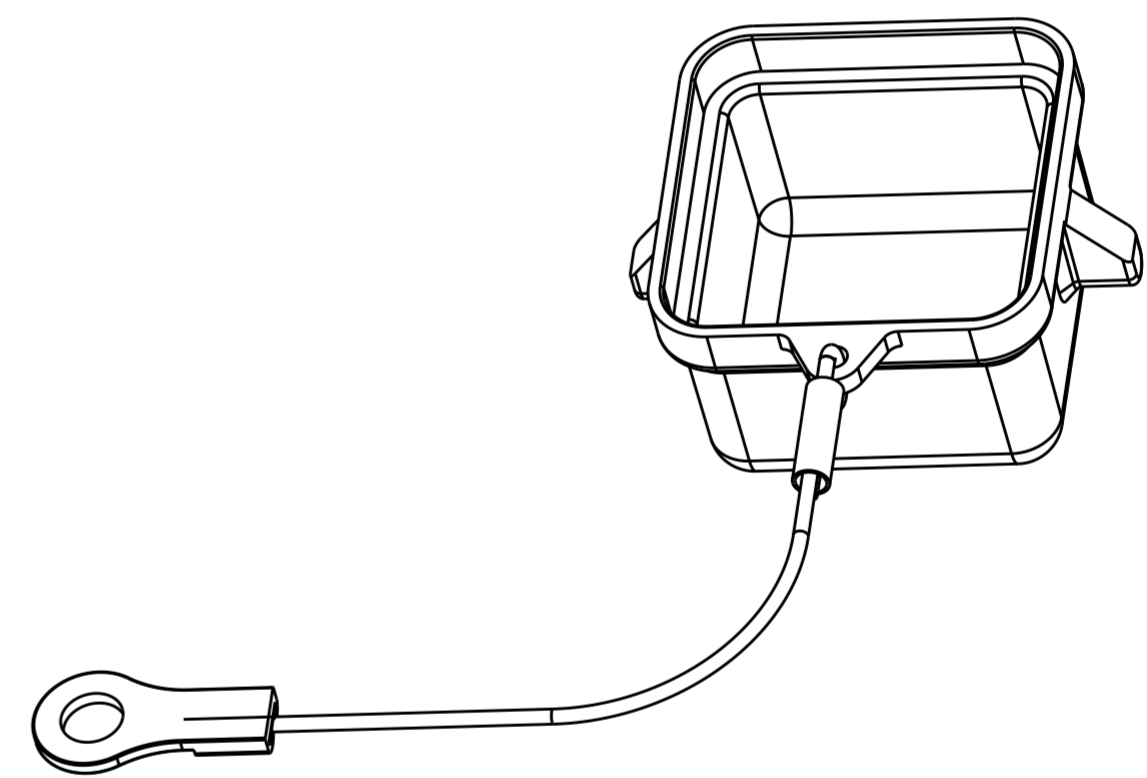
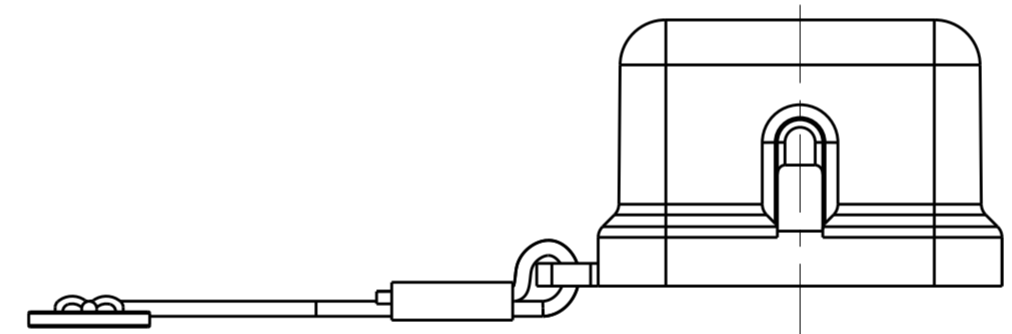
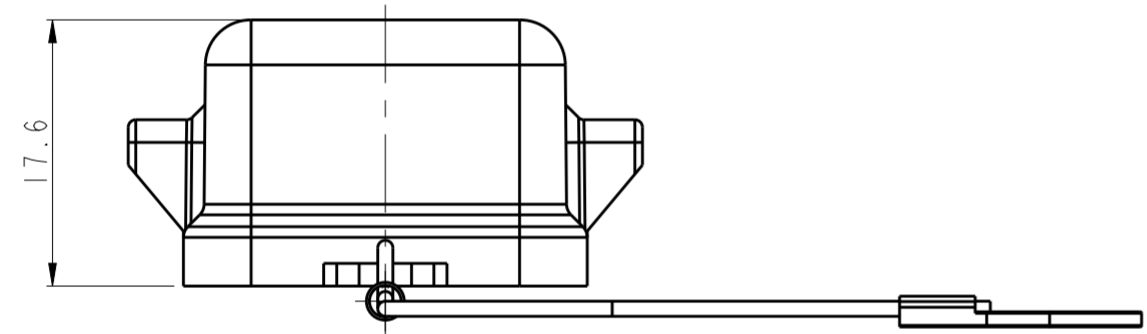
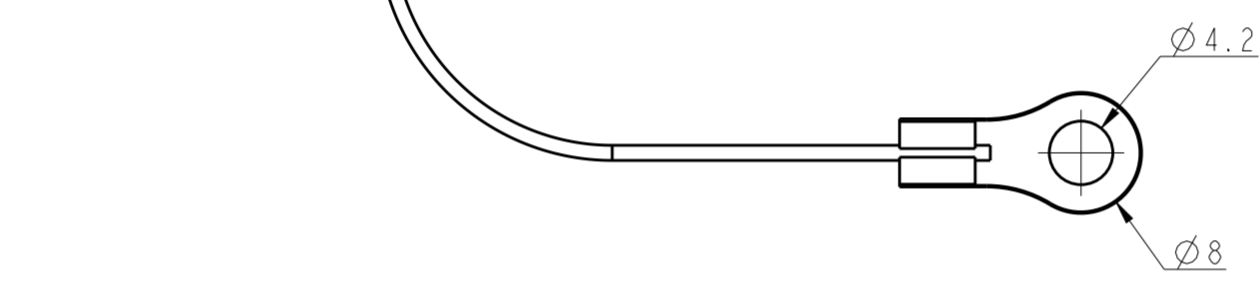
THIS DRAWING IS UNPUBLISHED. RELEASED FOR PUBLICATION  
 © COPYRIGHT copyright dbTe. ALL RIGHTS RESERVED.

REVISIONS				
P	LTR	DESCRIPTION	DATE	APVD
	A	INITIAL	11 JUL 2017	CH CW



NOTES:  
 1. TECHNICAL CHARACTERISTICS:  
 COVER MATERIAL: PC, COLOR SEE TABLE

注释:  
 1. 技术参数:  
 保护盖材质: PC, 颜色见表格.



T1010032200-000	H3A-KDBP-NRG	H3A HOUSING PLASTIC PROTECTION COVER, 2 EAR, WITHOUT SEALING, NYLON ROPE, GREY H3A下壳塑料保护盖, 2耳, 不带密封, 尼龙绳, 灰色
T1010033200-000	H3A-KDBP-NR	H3A HOUSING PLASTIC PROTECTION COVER, 2 EAR, WITHOUT SEALING, NYLON ROPE, WHITE H3A下壳塑料保护盖, 2耳, 不带密封, 尼龙绳, 白色
PART NUMBER 料号	PART DESCRIPTION 描述	

THIS DRAWING IS A CONTROLLED DOCUMENT.		DWN CHARLIE HU 11 JUL 2017	TE Connectivity															
DIMENSIONS: mm		CHK GINO YAO 11 JUL 2017																
TOLERANCES UNLESS OTHERWISE SPECIFIED:		APVD CHRIS WANG 11 JUL 2017	NAME H3A-KDBP-NR/H3A-KDBP-NRG															
<table border="1"> <tr><td>0 PLC</td><td>±</td></tr> <tr><td>1 PLC</td><td>±</td></tr> <tr><td>2 PLC</td><td>±</td></tr> <tr><td>3 PLC</td><td>±</td></tr> <tr><td>4 PLC</td><td>±</td></tr> <tr><td>ANGLES</td><td>±</td></tr> <tr><td>FINISH</td><td>±</td></tr> </table>		0 PLC	±	1 PLC	±	2 PLC	±	3 PLC	±	4 PLC	±	ANGLES	±	FINISH	±	PRODUCT SPEC -	SIZE A2	CAGE CODE -
0 PLC	±																	
1 PLC	±																	
2 PLC	±																	
3 PLC	±																	
4 PLC	±																	
ANGLES	±																	
FINISH	±																	
MATERIAL -		APPLICATION SPEC -	DRAWING NO G-T101003X200000	RESTRICTED TO -														
-		WEIGHT -	SCALE 2:1	SHEET 1 OF 1														
-		CUSTOMER DRAWING	REV A															

## X-ON Electronics

Largest Supplier of Electrical and Electronic Components

*Click to view similar products for [Heavy Duty Power Connectors](#) category:*

*Click to view products by [TE Connectivity](#) manufacturer:*

Other Similar products are found below :

[1424439](#) [1424438](#) [09330062652](#) [2-8675P1](#) [605601-1](#) [6340G1](#) [6341G1](#) [6360G1](#) [6373G1](#) [6374g2](#) [6396G1](#) [647757-1](#) [66394-4](#) [6643411-1](#)  
[6646058-2](#) [6646137-1](#) [6646138-1](#) [6646348-1](#) [6646479-1](#) [6646608-1](#) [6646786-1](#) [6646940-1](#) [6651091-1](#) [6651525-1](#) [6651529-1](#) [6651778-1](#)  
[6651788-1](#) [696465-1](#) [696475-1](#) [73000005059](#) [73000005349](#) [73000005642](#) [73080255059](#) [73080965046](#) [765-15-0080A](#) [765-16-0080B](#)  
[789.700-44](#) [789.700-54](#) [80-1010](#) [80-9](#) [827381-1](#) [829992-1](#) [902-77-02113](#) [PL00U-301-10D10](#) [PM103MOOLOO](#) [PM16S1620S32-50](#)  
[PM212MOOLOO](#) [PM309FOOLOO](#) [PM324FOOLCH](#) [PMHPAF11S03](#)