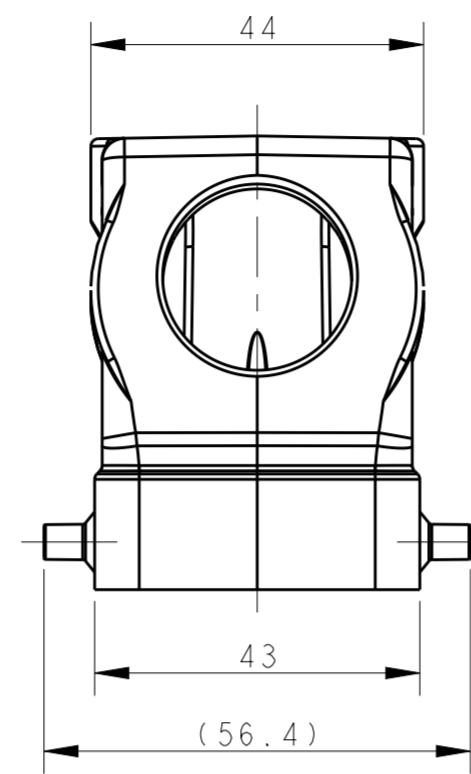
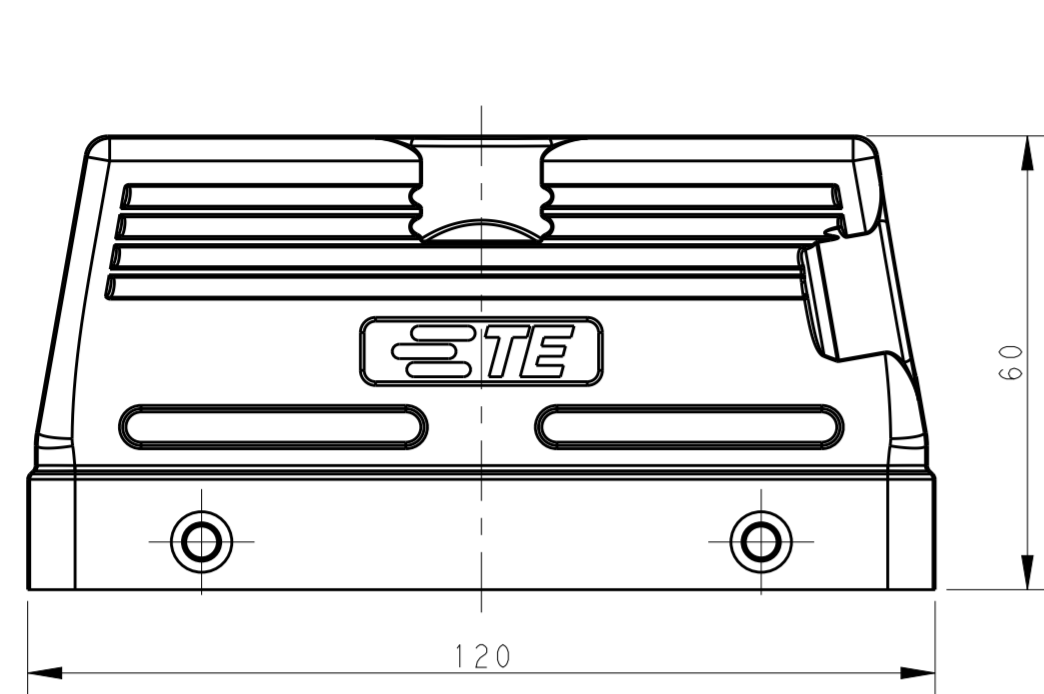


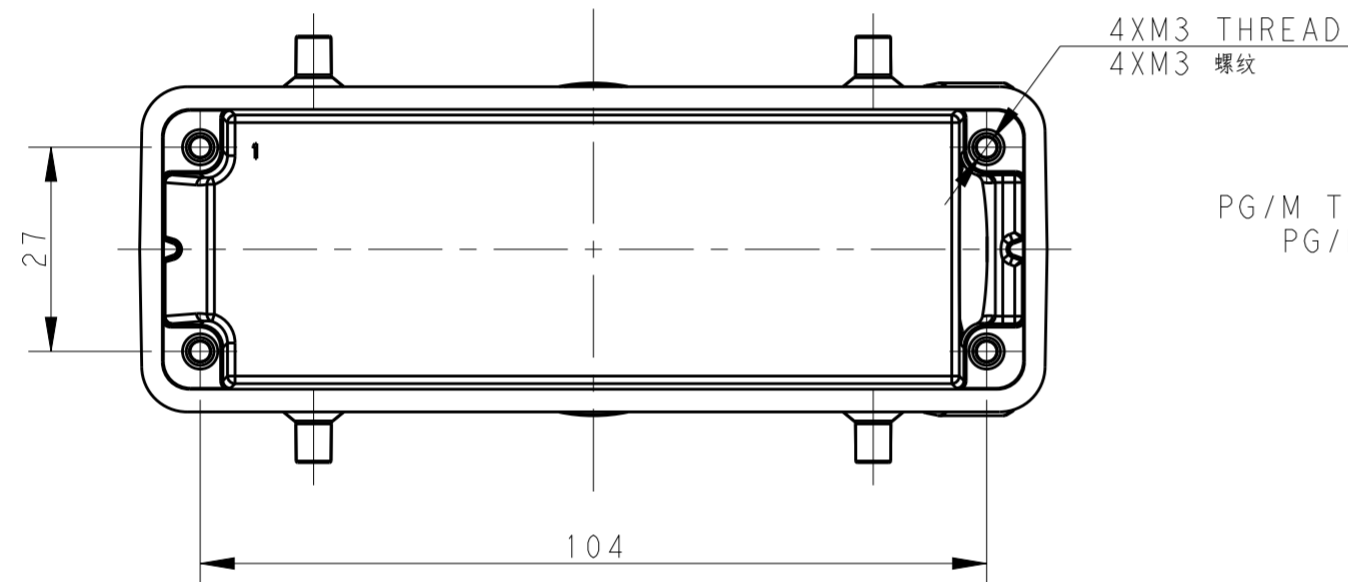
THIS DRAWING IS UNPUBLISHED. RELEASED FOR PUBLICATION 20
 © COPYRIGHT 20 BY - ALL RIGHTS RESERVED.

| REVISIONS | | | | | |
|-----------|-----|---------------|-----------|-----|------|
| P | LTR | DESCRIPTION | DATE | DWN | APVD |
| A | | INITIAL | 03JUN2015 | DW | CW |
| A1 | | ECR-16-013642 | 08MAY2017 | BS | CW |

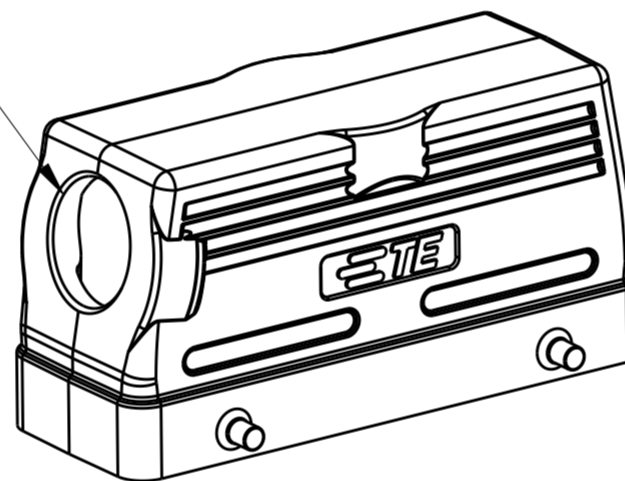


NOTES:
 1. TECHNICAL CHARACTERISTICS:
 BODY MATERIAL: DIE CAST ALUMINIUM ALLOY
 SURFACE TREATMENT: POWDER COATED, GREY
 DEGREE OF PROTECTION: IP65 (MATED)

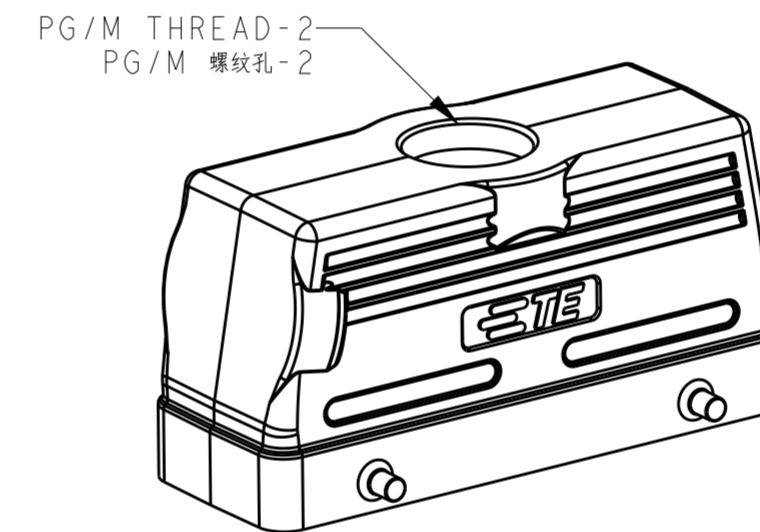
注释:
 1. 技术参数:
 主体材料: 铝合金
 表面处理: 灰色粉末喷涂
 防护等级: IP65(配合)



PG/M THREAD-1
 PG/M 螺纹孔-1



TYPE 1: SIDE ENTRY
 类型1: 侧出



TYPE 2: TOP ENTRY,
 OTHER SPEC. REFER TO TYPE 1
 类型2: 顶出, 其他规格参照类型1

| | | | | | |
|-------------------|------------------------|--|-----------------------------|-----------------------------|----------------|
| T1210240116-000 | H24B-TS-PG16 | H24B HOOD, SIDE ENTRY PG16, 4 EAR, POWDER COATED, GREY H24B上壳, 侧出PG16, 4耳, 灰色粉末喷涂 | PG16 | - | TYPE 1 类型 1 |
| T1210240120-000 | H24B-TS-M20 | H24B HOOD, SIDE ENTRY M20, 4 EAR, POWDER COATED, GREY H24B上壳, 侧出M20, 4耳, 灰色粉末喷涂 | M20 | - | |
| T1210240121-000 | H24B-TS-PG21 | H24B HOOD, SIDE ENTRY PG21, 4 EAR, POWDER COATED, GREY H24B上壳, 侧出PG21, 4耳, 灰色粉末喷涂 | PG21 | - | |
| T1210240125-000 | H24B-TS-M25 | H24B HOOD, SIDE ENTRY M25, 4 EAR, POWDER COATED, GREY H24B上壳, 侧出M25, 4耳, 灰色粉末喷涂 | M25 | - | |
| T1210240132-000 | H24B-TS-M32 | H24B HOOD, SIDE ENTRY M32, 4 EAR, POWDER COATED, GREY H24B上壳, 侧出M32, 4耳, 灰色粉末喷涂 | M32 | - | TYPE 2 类型 2 |
| T1220240116-000 | H24B-TG-PG16 | H24B HOOD, TOP ENTRY PG16, 4 EAR, POWDER COATED, GREY H24B上壳, 顶出PG16, 4耳, 灰色粉末喷涂 | - | PG16 | |
| T1220240121-000 | H24B-TG-PG21 | H24B HOOD, TOP ENTRY PG21, 4 EAR, POWDER COATED, GREY H24B上壳, 顶出PG21, 4耳, 灰色粉末喷涂 | - | PG21 | |
| T1220240125-000 | H24B-TG-M25 | H24B HOOD, TOP ENTRY M25, 4 EAR, POWDER COATED, GREY H24B上壳, 顶出M25, 4耳, 灰色粉末喷涂 | - | M25 | |
| T1220240129-000 | H24B-TG-PG29 | H24B HOOD, TOP ENTRY PG29, 4 EAR, POWDER COATED, GREY H24B上壳, 顶出PG29, 4耳, 灰色粉末喷涂 | - | PG29 | |
| T1220240132-000 | H24B-TG-M32 | H24B HOOD, TOP ENTRY M32, 4 EAR, POWDER COATED, GREY H24B上壳, 顶出M32, 4耳, 灰色粉末喷涂 | - | M32 | |
| T1220240140-000 | H24B-TG-M40 | H24B HOOD, TOP ENTRY M40, 4 EAR, POWDER COATED, GREY H24B上壳, 顶出M40, 4耳, 灰色粉末喷涂 | - | M40 | |
| T1220240134-000 | H24B-TG-G3/4 | H24B HOOD, TOP ENTRY G3/4, 4 EAR, POWDER COATED, GREY H24B上壳, 顶出G3/4, 4耳, 灰色粉末喷涂 | - | G3/4 | |
| PART NUMBER 料号 | PART DESCRIPTION 描述 | | PG/M THREAD-1 PG/M 螺纹孔-1 | PG/M THREAD-2 PG/M 螺纹孔-2 | TYPE 类型 |

| | | | | |
|--|--|-----------------------------|---|--|
| THIS DRAWING IS A CONTROLLED DOCUMENT. | | DWN David Wang 03JUN2015 | TE Connectivity | |
| DIMENSIONS: mm | | CHK Chris Wang 03JUN2015 | | |
| TOLERANCES UNLESS OTHERWISE SPECIFIED: | | APVD Xiang Xu 03JUN2015 | NAME H24B-TS/TG-M/PG | |
| | | PRODUCT SPEC 108-137013 | SIZE CAGE CODE DRAWING NO RESTRICTED TO | |
| MATERIAL - | | APPLICATION SPEC 114-137013 | A200779 C-T12X02401XX000 | |
| FINISH - | | WEIGHT - | SCALE 1:1 SHEET 1 OF 1 REV A1 | |
| | | Customer Drawing | | |

X-ON Electronics

Largest Supplier of Electrical and Electronic Components

Click to view similar products for [Heavy Duty Power Connectors](#) category:

Click to view products by [TE Connectivity](#) manufacturer:

Other Similar products are found below :

[1424439](#) [1424438](#) [09330062652](#) [2-8675P1](#) [605601-1](#) [6340G1](#) [6341G1](#) [6360G1](#) [6373G1](#) [6374g2](#) [6396G1](#) [647757-1](#) [66394-4](#) [6643411-1](#)
[6646058-2](#) [6646137-1](#) [6646138-1](#) [6646348-1](#) [6646479-1](#) [6646608-1](#) [6646786-1](#) [6646940-1](#) [6651091-1](#) [6651525-1](#) [6651529-1](#) [6651778-1](#)
[6651788-1](#) [696465-1](#) [696475-1](#) [73000005059](#) [73000005349](#) [73000005642](#) [73080255059](#) [73080965046](#) [765-15-0080A](#) [765-16-0080B](#)
[789.700-44](#) [789.700-54](#) [80-1010](#) [80-9](#) [827381-1](#) [829992-1](#) [902-77-02113](#) [PL00U-301-10D10](#) [PM103MOOLOO](#) [PM16S1620S32-50](#)
[PM212MOOLOO](#) [PM309FOOLOO](#) [PM324FOOLCH](#) [PMHPAF11S03](#)