

4

3

2

1

THIS DRAWING IS UNPUBLISHED.

RELEASED FOR PUBLICATION

20

© COPYRIGHT 20

BY -

ALL RIGHTS RESERVED.

REVISIONS

P	LTR	DESCRIPTION	DATE	DWN	APVD
	A	INITIAL RELEASE	06APR2015	GY	CW
	B	ECR-15-013759	27SEP2015	DW	CW
	B1	ECR-16-011988	25AUG2016	YC	CW

TYPE 1, T2040102101-000, WITH LOGO  
类型 1, T2040102101-000, 带LOGO

NOTES:

1. TECHNICAL CHARACTERISTICS:  
INSULATION MATERIAL: PC  
RATED VOLTAGE: 500V  
RATED CURRENT: 16A  
INSULATION RESISTANCE:  $\geq 400M\Omega$   
RATED IMPULSE VOLTAGE: 6KV  
POLLUTION DEGREE: 3  
FLAMMABILITY: UL94V-0  
MATING CYCLES: 500 CYCLES  
WIRE RANGE:  $0.5mm^2 \sim 2.5mm^2$  (AWG20-AWG14)  
CONTACT TYPE: SCREW CLAMP (M3)

注释:

1. 技术参数:  
绝缘材料: PC  
额定电压: 500V  
额定电流: 16A  
绝缘电阻:  $\geq 400M\Omega$   
脉冲电压: 6KV  
污染等级: 3  
阻燃等级: UL94V-0  
插拔次数: 500 次  
接线范围:  $0.5mm^2 \sim 2.5mm^2$  (AWG20-AWG14)  
接线类型: 螺丝压接 (M3)

4X M3 SCREW, RECOMMENDED  
TIGHTENING TORQUE 0.5Nm  
4X M3螺丝, 推荐锁紧力矩0.5Nm

M4 SCREW, RECOMMENDED  
TIGHTENING TORQUE 1.2Nm  
M4螺丝, 推荐锁紧力矩1.2Nm

PANEL CUT FOR INSERTS FOR USE  
WITHOUT HOODS/ HOUSINGS  
不使用防护外壳时芯件的安装开孔图

THIS DRAWING IS A CONTROLLED DOCUMENT.

DIMENSIONS:	TOLERANCES UNLESS OTHERWISE SPECIFIED:
-	0 PLC $\pm$
-	1 PLC $\pm$
-	2 PLC $\pm$
-	3 PLC $\pm$
-	4 PLC $\pm$
-	ANGLES $\pm$
MATERIAL	FINISH
-	-
-	-

DWN 06APR2015

GINO YAO

CHK 06APR2015

CHRIS WANG

APVD 06APR2015

XIANG XU

PRODUCT SPEC

108-137044

APPLICATION SPEC

114-137044

WEIGHT

-

CUSTOMER DRAWING

TE Connectivity

NAME  
HE-010-M

SIZE CAGE CODE DRAWING NO RESTRICTED TO

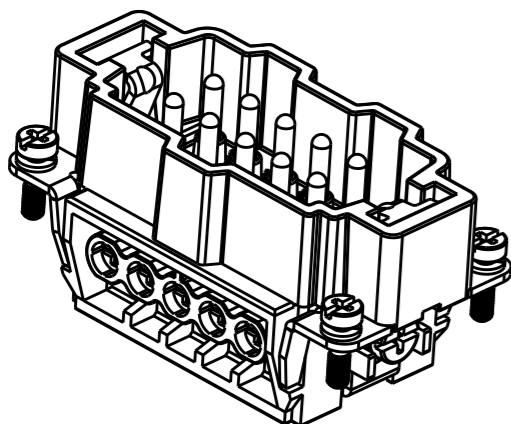
A300779 C-T2040102101000 -

SCALE 1:1 SHEET 1 OF 2 REV B1

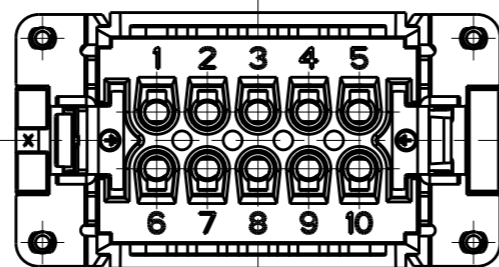
1470-19 (3/13)

REVISIONS

P	LTR	DESCRIPTION	DATE	DWN	APVD
		SEE SHEET 1			

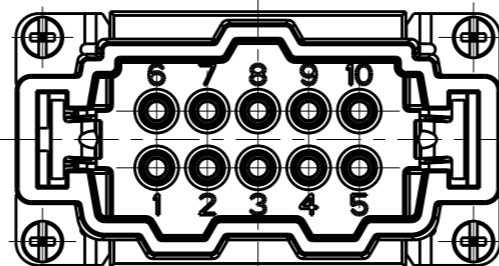
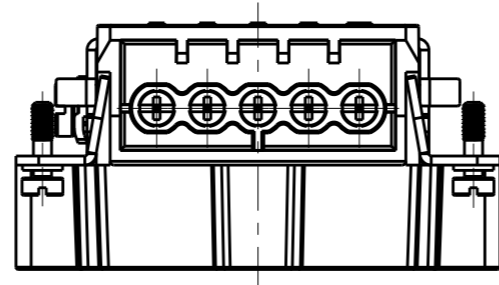
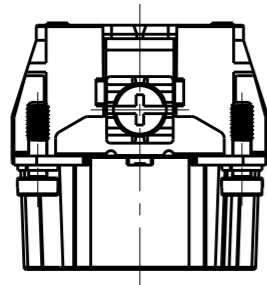


TYPE 2, T2040102101-001, WITHOUT LOGO  
 类型 2, T2040102101-001, 不带LOGO



NOTE:  
 ALL SPEC REFER TO TYPE 1

注释:  
 所有产品规范参照 TYPE 1



T2040102101-000	HE-010-M	HE-010 MALE INSERT HE-010 公插	TYPE 1
T2040102101-001	HE-010-M	HE-010 MALE INSERT, WITHOUT LOGO HE-010 公插, 无LOGO	TYPE 2
PART NUMBER 料号	PART DESCRIPTION 描述		TYPE 类型

THIS DRAWING IS A CONTROLLED DOCUMENT.		DWN GINO YAO 06APR2015					
DIMENSIONS: mm		CHK CHRIS WANG 06APR2015			NAME HE-010-M		
TOLERANCES UNLESS OTHERWISE SPECIFIED:		APVD XIANG XU 06APR2015					
0 PLC ±- 1 PLC ±- 2 PLC ±- 3 PLC ±- 4 PLC ±- ANGLES ±-		PRODUCT SPEC 108-137044	SIZE A3	CAGE CODE 00779	DRAWING NO T2040102101000	RESTRICTED TO -	
MATERIAL -		FINISH -	WEIGHT -	SCALE 1:1		SHEET 2 OF 2	REV B1
CUSTOMER DRAWING							

## X-ON Electronics

Largest Supplier of Electrical and Electronic Components

*Click to view similar products for [Heavy Duty Power Connectors](#) category:*

*Click to view products by [TE Connectivity](#) manufacturer:*

Other Similar products are found below :

[1424439](#) [1424438](#) [09330062652](#) [2-8675P1](#) [605601-1](#) [6340G1](#) [6341G1](#) [6360G1](#) [6373G1](#) [6374g2](#) [6396G1](#) [647757-1](#) [66394-4](#) [6643411-1](#)  
[6646058-2](#) [6646137-1](#) [6646138-1](#) [6646348-1](#) [6646479-1](#) [6646608-1](#) [6646786-1](#) [6646940-1](#) [6651091-1](#) [6651525-1](#) [6651529-1](#) [6651778-1](#)  
[6651788-1](#) [696465-1](#) [696475-1](#) [73000005059](#) [73000005349](#) [73000005642](#) [73080255059](#) [73080965046](#) [765-15-0080A](#) [765-16-0080B](#)  
[789.700-44](#) [789.700-54](#) [80-1010](#) [80-9](#) [827381-1](#) [829992-1](#) [902-77-02113](#) [PL00U-301-10D10](#) [PM103MOOLOO](#) [PM16S1620S32-50](#)  
[PM212MOOLOO](#) [PM309FOOLOO](#) [PM324FOOLCH](#) [PMHPAF11S03](#)