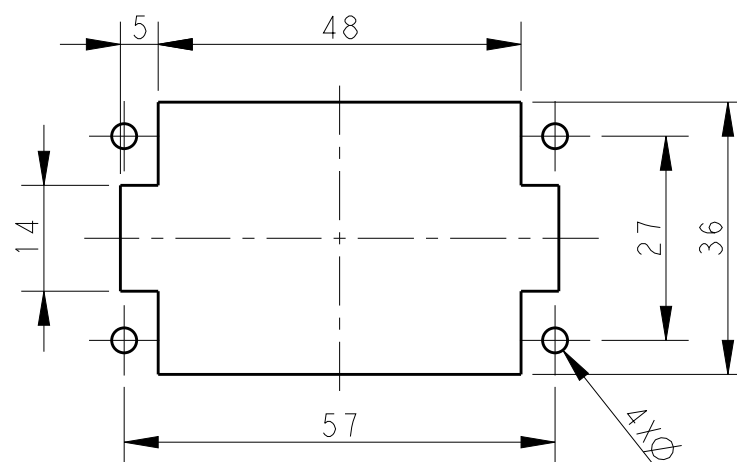
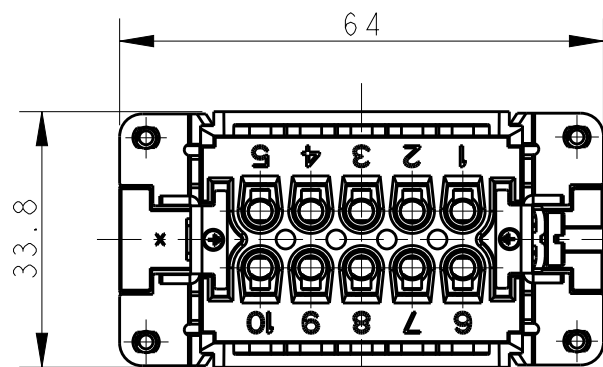


THIS DRAWING IS UNPUBLISHED. RELEASED FOR PUBLICATION 20  
 © COPYRIGHT 20 BY - ALL RIGHTS RESERVED.

REVISIONS

P	LTR	DESCRIPTION	DATE	DWN	APVD
A		INITIAL RELEASE	14APR2015	GY	CW
B		ECR-15-013759	27SEP2015	DW	CW
B1		ECR-16-011988	25AUG2016	YC	CW



PANEL CUT FOR INSERTS FOR USE WITHOUT HOODS/ HOUSINGS  
 不使用防护外壳时芯件的安装开孔图

NOTES:

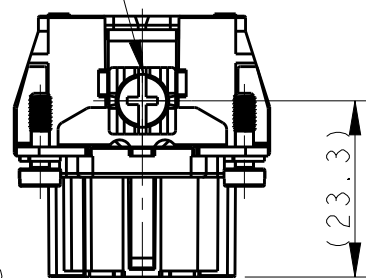
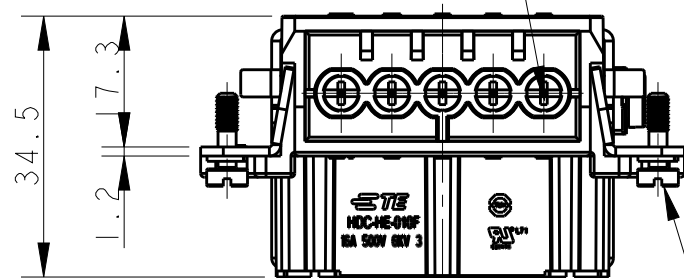
- TECHNICAL CHARACTERISTICS:  
 INSULATION MATERIAL: PC  
 RATED VOLTAGE: 500V  
 RATED CURRENT: 16A  
 INSULATION RESISTANCE:  $\geq 400M\Omega$   
 RATED IMPULSE VOLTAGE: 6KV  
 POLLUTION DEGREE: 3  
 FLAMMABILITY: UL94V-0  
 MATING CYCLES: 500 CYCLES  
 WIRE RANGE:  $0.5mm^2 \sim 2.5mm^2$  (AWG20-AWG14)  
 CONTACT TYPE: SCREW CLAMP (M3)

10X M3 SCREW, RECOMMENDED  
 TIGHTENING TORQUE 0.5Nm  
 10X M3螺丝, 推荐锁紧力矩0.5Nm

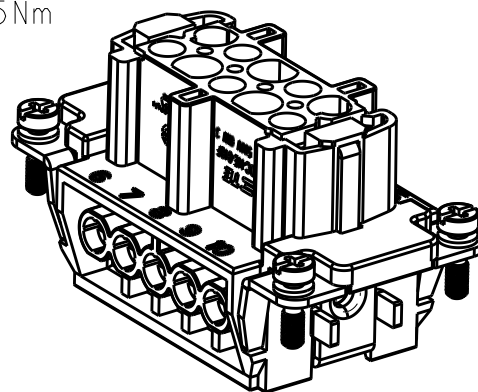
M4 SCREW, RECOMMENDED  
 TIGHTENING TORQUE 1.2Nm  
 M4螺丝, 推荐锁紧力矩1.2Nm

注释:

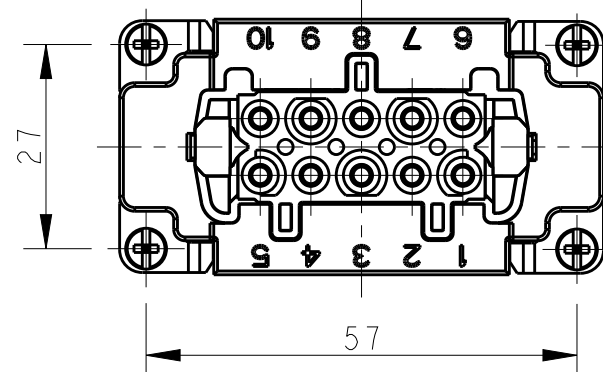
- 技术参数:  
 绝缘材料: PC  
 额定电压: 500V  
 额定电流: 16A  
 绝缘电阻:  $\geq 400M\Omega$   
 脉冲电压: 6KV  
 污染等级: 3  
 阻燃等级: UL94V-0  
 插拔次数: 500 次  
 接线范围:  $0.5mm^2 \sim 2.5mm^2$  (AWG20-AWG14)  
 接线类型: 螺丝压接 (M3)



4X M3 SCREW, RECOMMENDED  
 TIGHTENING TORQUE 0.5Nm  
 4X M3螺丝, 推荐锁紧力矩0.5Nm



TYPE 1, T2040102201-000, WITH LOGO  
 类型 1, T2040102201-000, 带LOGO



THIS DRAWING IS A CONTROLLED DOCUMENT.

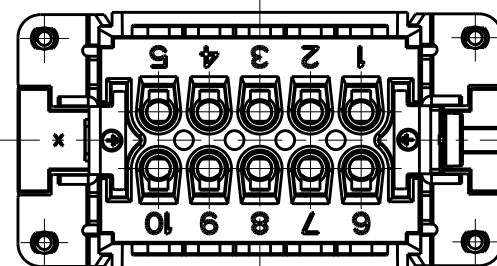
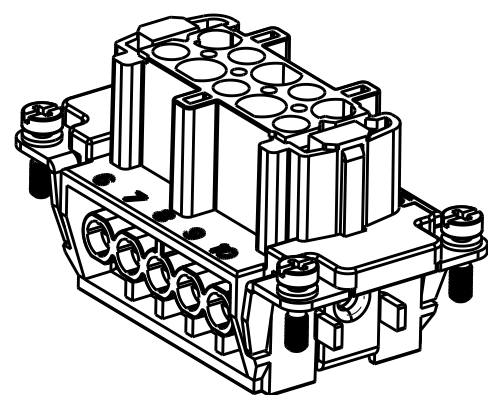
DIMENSIONS:		TOLERANCES UNLESS OTHERWISE SPECIFIED:	
mm			
		0 PLC	±-
		1 PLC	±-
		2 PLC	±-
		3 PLC	±-
		4 PLC	±-
MATERIAL		FINISH	
-		-	

DWN	GINO YAO	14APR2015
CHK	CHRIS WANG	14APR2015
APVD	XIANG XU	14APR2015
PRODUCT SPEC	108-137044	
APPLICATION SPEC	114-137044	
WEIGHT	-	
CUSTOMER DRAWING		

		TE Connectivity	
		NAME HE-010-F	
SIZE	CAGE CODE	DRAWING NO	RESTRICTED TO
A3	00779	©-T2040102201000	-
SCALE 1:1		SHEET 1 OF 2	REV B1

REVISIONS

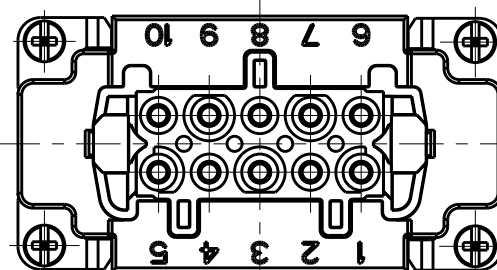
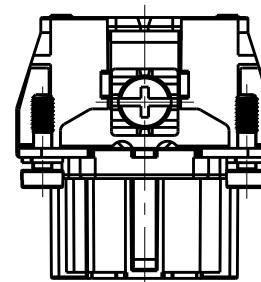
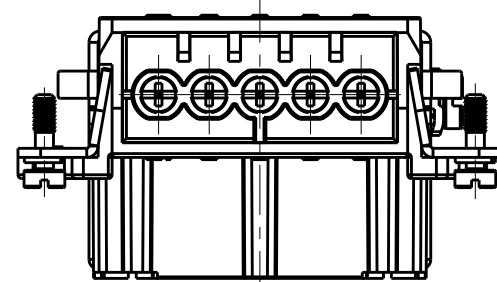
P	LTR	DESCRIPTION	DATE	DWN	APVD
		SEE SHEET 1			



NOTE:  
ALL SPEC REFER TO TYPE 1

注释:  
所有产品规范参照 TYPE 1

TYPE 2, T2040102201-001, WITHOUT LOGO  
类型 2, T2040102201-001, 不带LOGO



T2040102201-000	HE-010-F	HE-010 FEMALE INSERT HE-010 母插	TYPE 1
T2040102201-001	HE-010-F	HE-010 FEMALE INSERT, WITHOUT LOGO HE-010 母插, 无LOGO	TYPE 2
PART NUMBER 料号	PART DESCRIPTION 描述		TYPE 类型

THIS DRAWING IS A CONTROLLED DOCUMENT.		DWN GINO YAO 14APR2015				
DIMENSIONS: mm		CHK CHRIS WANG 14APR2015			NAME HE-010-F	
TOLERANCES UNLESS OTHERWISE SPECIFIED:		APVD XIANG XU 14APR2015			PRODUCT SPEC 108-137044	
0 PLC ±- 1 PLC ±- 2 PLC ±- 3 PLC ±- 4 PLC ±- ANGLES ±-		APPLICATION SPEC 114-137044	SIZE A3	CAGE CODE 00779	DRAWING NO T2040102201000	RESTRICTED TO -
MATERIAL -	FINISH -	WEIGHT -	SCALE 1:1		SHEET 2 OF 2	REV B1
		CUSTOMER DRAWING				

## X-ON Electronics

Largest Supplier of Electrical and Electronic Components

*Click to view similar products for [Heavy Duty Power Connectors](#) category:*

*Click to view products by [TE Connectivity](#) manufacturer:*

Other Similar products are found below :

[1424439](#) [1424438](#) [09330062652](#) [2-8675P1](#) [605601-1](#) [6340G1](#) [6341G1](#) [6360G1](#) [6373G1](#) [6374g2](#) [6396G1](#) [647757-1](#) [66394-4](#) [6643411-1](#)  
[6646058-2](#) [6646137-1](#) [6646138-1](#) [6646348-1](#) [6646479-1](#) [6646608-1](#) [6646786-1](#) [6646940-1](#) [6651091-1](#) [6651525-1](#) [6651529-1](#) [6651778-1](#)  
[6651788-1](#) [696465-1](#) [696475-1](#) [73000005059](#) [73000005349](#) [73000005642](#) [73080255059](#) [73080965046](#) [765-15-0080A](#) [765-16-0080B](#)  
[789.700-44](#) [789.700-54](#) [80-1010](#) [80-9](#) [827381-1](#) [829992-1](#) [902-77-02113](#) [PL00U-301-10D10](#) [PM103MOOLOO](#) [PM16S1620S32-50](#)  
[PM212MOOLOO](#) [PM309FOOLOO](#) [PM324FOOLCH](#) [PMHPAF11S03](#)