

4

3

2

1

THIS DRAWING IS UNPUBLISHED.

RELEASED FOR PUBLICATION

20

© COPYRIGHT 20

BY -

ALL RIGHTS RESERVED.

REVISIONS

P	LTR	DESCRIPTION	DATE	DWN	APVD
A		INITIAL RELEASE	14APR2015	GY	CW
B		ECR-15-013759	28SEP2015	DW	CW
B1		ECR-16-011988	26AUG2016	YC	CW
B2		ECR-16-017834	21DEC2016	YC	CW

PANEL CUT FOR INSERTS FOR USE
WITHOUT HOODS/ HOUSINGS

不使用防护外壳时芯件的安装开孔图

M4 SCREW, RECOMMENDED
TIGHTENING TORQUE 1.2Nm
M4螺丝, 推荐锁紧力矩1.2Nm

16X M3 SCREW, RECOMMENDED TIGHTENING TORQUE 0.5Nm
16X M3螺丝, 推荐锁紧力矩0.5Nm

4X M3 SCREW, RECOMMENDED TIGHTENING TORQUE 0.5Nm
4X M3螺丝, 推荐锁紧力矩0.5Nm

TYPE 1, T2040162101-000, TE LOGO
类型 1, T2040162101-000, TE LOGO

NOTES:

1. TECHNICAL CHARACTERISTICS:
INSULATION MATERIAL: PC
RATED VOLTAGE: 500V
RATED CURRENT: 16A
INSULATION RESISTANCE: $\geq 400M\Omega$
RATED IMPULSE VOLTAGE: 6KV
POLLUTION DEGREE: 3
FLAMMABILITY: UL94V-0
MATING CYCLES: 500 CYCLES
WIRE RANGE: $0.5mm^2 \sim 2.5mm^2$ (AWG20-AWG14)
CONTACT TYPE: SCREW CLAMP (M3)

注释:

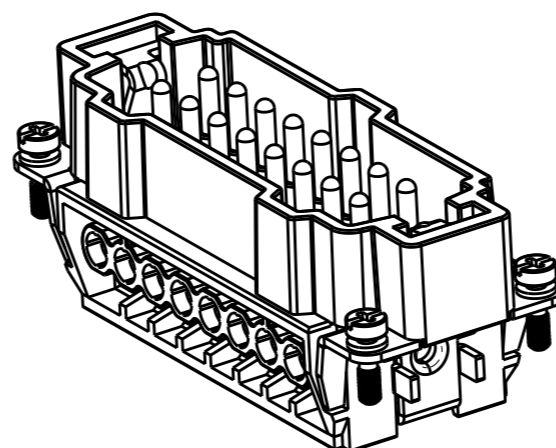
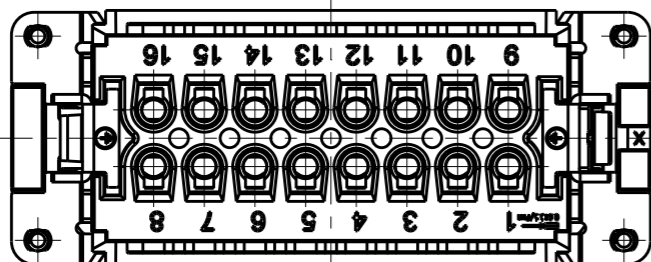
1. 技术参数:
绝缘材料: PC
额定电压: 500V
额定电流: 16A
绝缘电阻: $\geq 400M\Omega$
脉冲电压: 6KV
污染等级: 3
阻燃等级: UL94V-0
插拔次数: 500 次
接线范围: $0.5mm^2 \sim 2.5mm^2$ (AWG20-AWG14)
接线类型: 螺丝压接 (M3)

THIS DRAWING IS A CONTROLLED DOCUMENT.		DWN	GINO YAO	14APR2015	 TE Connectivity	NAME		HE-016-M
DIMENSIONS:		CHK	CHRIS WANG	14APR2015		PRODUCT SPEC		108-137044
mm		APVD	XIANG XU	14APR2015		APPLICATION SPEC		114-137044
TOLERANCES UNLESS OTHERWISE SPECIFIED:		MATERIAL		WEIGHT		RESTRICTED TO		
0 PLC \pm		-		-		-		
1 PLC \pm		-		-		-		
2 PLC \pm		-		-		-		
3 PLC \pm		-		-		-		
4 PLC \pm		-		-		-		
ANGLES \pm		FINISH		-		-		
-		-		-		-		
-		-		-		-		
		CUSTOMER DRAWING		SCALE		SHEET		
				1:1		1 OF 2		
				REV		B2		

1470-19 (3/13)

REVISIONS

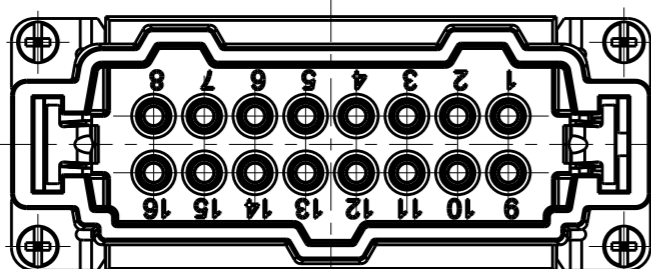
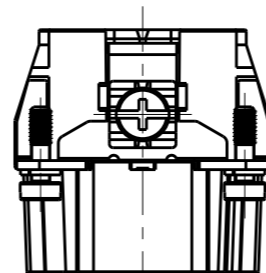
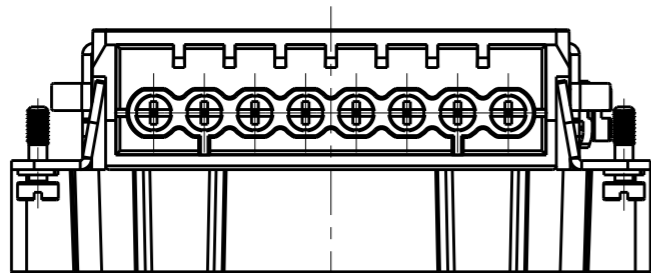
P	LTR	DESCRIPTION	DATE	DWN	APVD
-		SEE SHEET 1	-	-	-



NOTE:
ALL SPEC REFER TO TYPE 1

注释:
所有产品规范参照 TYPE 1

TYPE 2, T2040162101-001, NO LOGO
类型 2, T2040162101-001, 无LOGO



T2040162101-000	HE-016-M	HE-016 MALE INSERT HE-016 公插	TYPE 1
T2040162101-001	HE-016-M	HE-016 MALE INSERT, NO LOGO HE-016 公插, 无LOGO	TYPE 2
PART NUMBER 料号	PART DESCRIPTION 描述		TYPE 类型

THIS DRAWING IS A CONTROLLED DOCUMENT.		DWN GINO YAO 14APR2015					
DIMENSIONS: mm		CHK CHRIS WANG 14APR2015					
TOLERANCES UNLESS OTHERWISE SPECIFIED:		APVD XIANG XU 14APR2015					
0 PLC ±- 1 PLC ±- 2 PLC ±- 3 PLC ±- 4 PLC ±- ANGLES ±-		PRODUCT SPEC 108-137044	NAME HE-016-M				
MATERIAL -		FINISH -	APPLICATION SPEC 114-137044	SIZE A3	CAGE CODE 00779	DRAWING NO T2040162101000	RESTRICTED TO -
CUSTOMER DRAWING			WEIGHT -	SCALE 1:1	SHEET 2 OF 2	REV B2	

X-ON Electronics

Largest Supplier of Electrical and Electronic Components

Click to view similar products for [Heavy Duty Power Connectors](#) category:

Click to view products by [TE Connectivity](#) manufacturer:

Other Similar products are found below :

[1424439](#) [1424438](#) [09330062652](#) [2-8675P1](#) [605601-1](#) [6340G1](#) [6341G1](#) [6360G1](#) [6373G1](#) [6374g2](#) [6396G1](#) [647757-1](#) [66394-4](#) [6643411-1](#)
[6646058-2](#) [6646137-1](#) [6646138-1](#) [6646348-1](#) [6646479-1](#) [6646608-1](#) [6646786-1](#) [6646940-1](#) [6651091-1](#) [6651525-1](#) [6651529-1](#) [6651778-1](#)
[6651788-1](#) [696465-1](#) [696475-1](#) [73000005059](#) [73000005349](#) [73000005642](#) [73080255059](#) [73080965046](#) [765-15-0080A](#) [765-16-0080B](#)
[789.700-44](#) [789.700-54](#) [80-1010](#) [80-9](#) [827381-1](#) [829992-1](#) [902-77-02113](#) [PL00U-301-10D10](#) [PM103MOOLOO](#) [PM16S1620S32-50](#)
[PM212MOOLOO](#) [PM309FOOLOO](#) [PM324FOOLCH](#) [PMHPAF11S03](#)