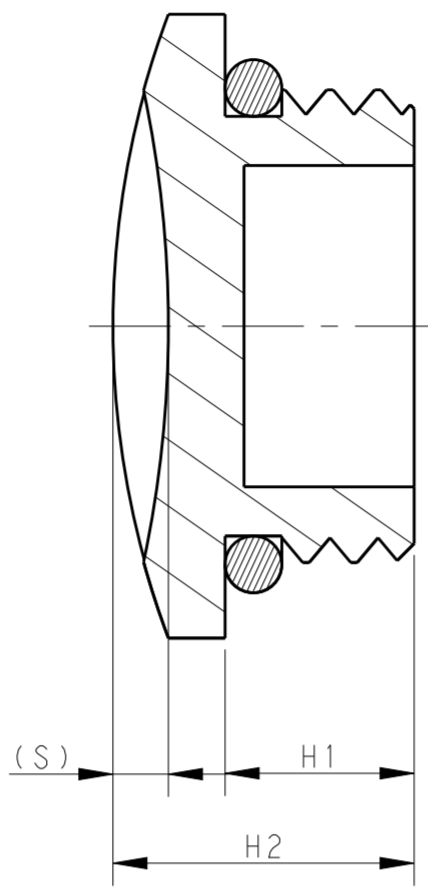
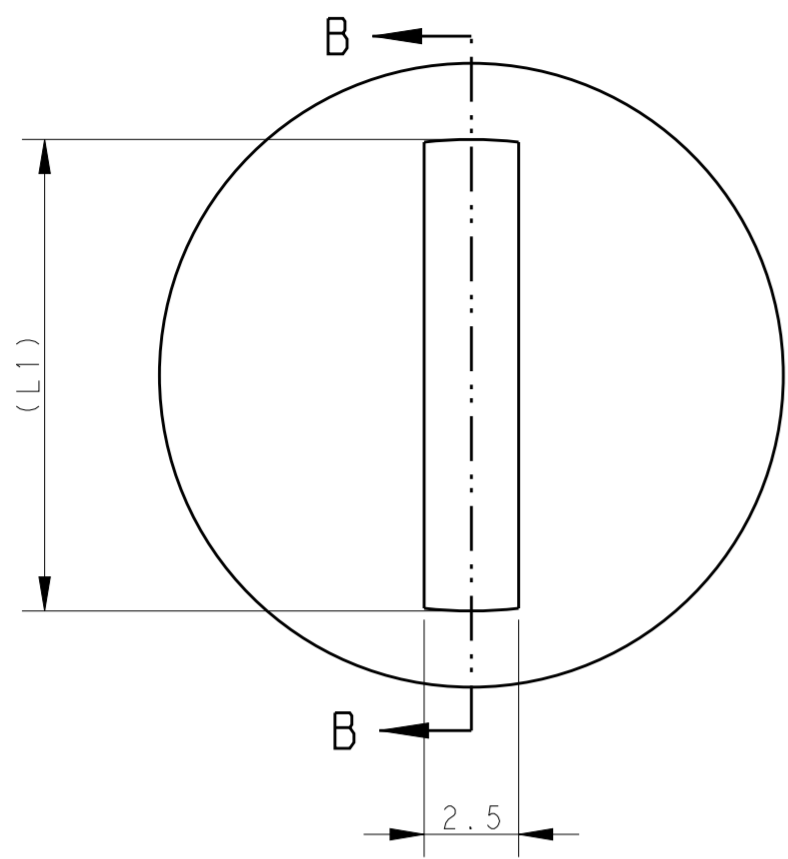
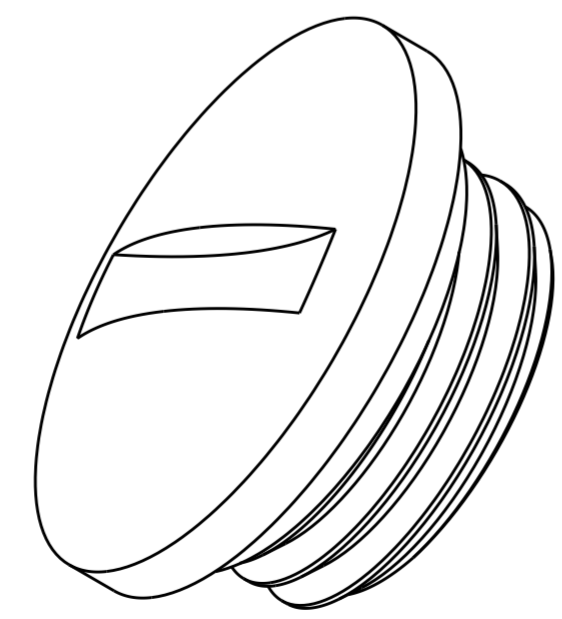
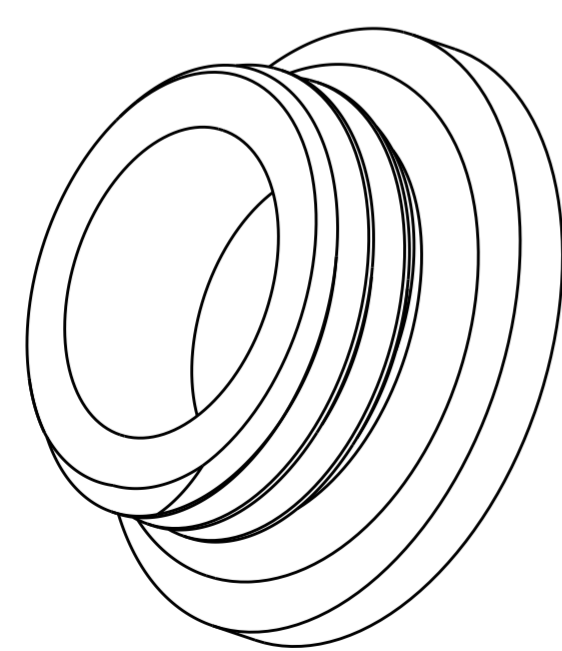
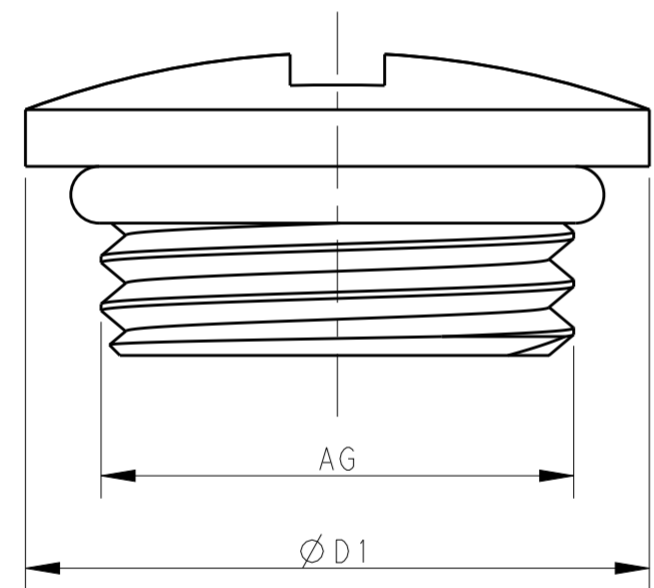


THIS DRAWING IS UNPUBLISHED. RELEASED FOR PUBLICATION 20
 © COPYRIGHT 20 BY - ALL RIGHTS RESERVED.

REVISIONS					
P	LTR	DESCRIPTION	DATE	DWN	APVD
	A	INITIAL RELEASE	07JUL2015	GY	CW
	A1	ECR-18-011957	13AUG2018	KW	CW
	A2	ECR-18-010068	18OCT2018	YC	CW



SECTION B-B



NOTES:

- 1. TECHNICAL CHARACTERISTICS:
- BODY MATERIAL:
 BLIND-32-M-BX & BLIND-25-M-BX: STAINLESS STEEL
 OTHERS: NICKEL PLATED BRASS
- SEAL MATERIAL: NBR
- PROTECTION DEGREE: IP65

注释:

- 1. 技术参数:
- 主体材料:
 BLIND-32-M-BX & BLIND-25-M-BX: 不锈钢
 其余型号: 黄铜镀镍
- 密封圈材料: NBR
- 防护等级: IP65

PART NUMBER	零件料号	PART DESCRIPTION	零件描述	AG	D1	H1	H2	S	L1
T3165070101-001	BLIND-7-MS	METAL BLIND PLUG PG7 金属堵头 PG7	PG7	16.5	5	8	1.5	11	
T3165090101-001	BLIND-9-MS	METAL BLIND PLUG PG9 金属堵头 PG9	PG9	19	6	9	1.5	12.5	
T3165110101-001	BLIND-11-MS	METAL BLIND PLUG PG11 金属堵头 PG11	PG11	22.5	6	9	1.5	13.5	
T3165130101-001	BLIND-13-MS	METAL BLIND PLUG PG13.5 金属堵头 PG13.5	PG13.5	24.5	7	10	1.5	14.5	
T3165160101-001	BLIND-16-MS	METAL BLIND PLUG PG16 金属堵头 PG16	PG16	26.5	7	10	2	17	
T3165210101-001	BLIND-21-MS	METAL BLIND PLUG PG21 金属堵头 PG21	PG21	32	7	11	2.5	19	
T3165290101-001	BLIND-29-MS	METAL BLIND PLUG PG29 金属堵头 PG29	PG29	41	8	12	2.5	20.5	
T3165360101-001	BLIND-36-MS	METAL BLIND PLUG PG36 金属堵头 PG36	PG36	51	9	15	3.5	24	
T3165420101-001	BLIND-42-MS	METAL BLIND PLUG PG42 金属堵头 PG42	PG42	58	10	16	3.5	26	
T3165480101-001	BLIND-48-MS	METAL BLIND PLUG PG48 金属堵头 PG48	PG48	64	10	16	3.5	27	
T3165120111-001	BLIND-12-M	METAL BLIND PLUG M12 金属堵头 M12	M12X1.5	16	5	8	1.5	11	
T3165160111-001	BLIND-16-M	METAL BLIND PLUG M16 金属堵头 M16	M16X1.5	20	6	9	1.5	12	
T3165200111-001	BLIND-20-M	METAL BLIND PLUG M20 金属堵头 M20	M20X1.5	24	7	10	1.5	14.5	
T3165250111-001	BLIND-25-M	METAL BLIND PLUG M25 金属堵头 M25	M25X1.5	29	7	10	2	18	
T3165320111-001	BLIND-32-M	METAL BLIND PLUG M32 金属堵头 M32	M32X1.5	36	8	12	2.5	19	
T3165400111-001	BLIND-40-M	METAL BLIND PLUG M40 金属堵头 M40	M40X1.5	44	9	15	3.5	23	
T3165500111-001	BLIND-50-M	METAL BLIND PLUG M50 金属堵头 M50	M50X1.5	54	10	16	3.5	24	
T3165250111-101	BLIND-25-M-BX	METAL BLIND PLUG M25, STAINLESS STEEL 金属堵头 M25 不锈钢	M25X1.5	29	7	10	2	18	
T3165320111-101	BLIND-32-M-BX	METAL BLIND PLUG M32, STAINLESS STEEL 金属堵头 M32 不锈钢	M32X1.5	36	8	12	2.5	19	

THIS DRAWING IS A CONTROLLED DOCUMENT.

DWN: Gino Yao 06JUL2015
 CHK: Chris Wang 06JUL2015
 APVD: Xiang Xu 06JUL2015

STE TE Connectivity

NAME: Metal blind plug

PRODUCT SPEC: -
 APPLICATION SPEC: -
 WEIGHT: -

MATERIAL: -
 FINISH: -

SIZE: A2 CAGE CODE: - DRAWING NO: C-T3165XX01XXX00 RESTRICTED TO: -
 SCALE: 5:1 SHEET 1 OF 1 REV: A2

Customer Drawing

X-ON Electronics

Largest Supplier of Electrical and Electronic Components

Click to view similar products for [Heavy Duty Power Connectors](#) category:

Click to view products by [TE Connectivity](#) manufacturer:

Other Similar products are found below :

[1424439](#) [1424438](#) [09330062652](#) [2-8675P1](#) [605601-1](#) [6340G1](#) [6341G1](#) [6360G1](#) [6373G1](#) [6374g2](#) [6396G1](#) [647757-1](#) [66394-4](#) [6643411-1](#)
[6646058-2](#) [6646137-1](#) [6646138-1](#) [6646348-1](#) [6646479-1](#) [6646608-1](#) [6646786-1](#) [6646940-1](#) [6651091-1](#) [6651525-1](#) [6651529-1](#) [6651778-1](#)
[6651788-1](#) [696465-1](#) [696475-1](#) [73000005059](#) [73000005349](#) [73000005642](#) [73080255059](#) [73080965046](#) [765-15-0080A](#) [765-16-0080B](#)
[789.700-44](#) [789.700-54](#) [80-1010](#) [80-9](#) [827381-1](#) [829992-1](#) [902-77-02113](#) [PL00U-301-10D10](#) [PM103MOOLOO](#) [PM16S1620S32-50](#)
[PM212MOOLOO](#) [PM309FOOLOO](#) [PM324FOOLCH](#) [PMHPAF11S03](#)