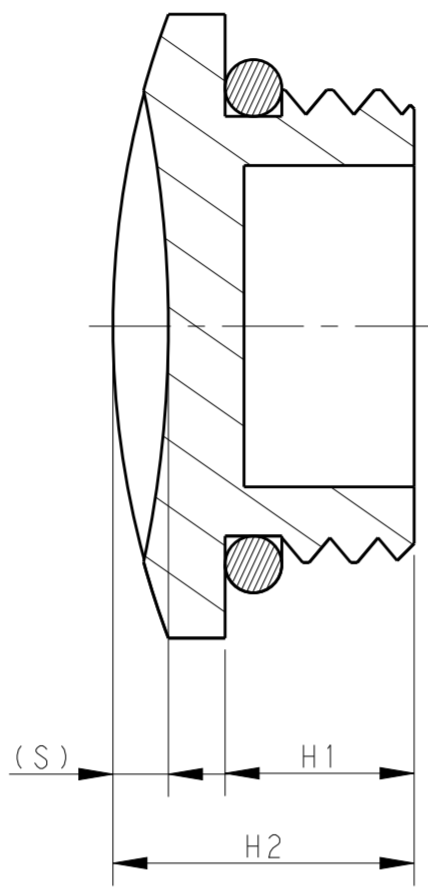
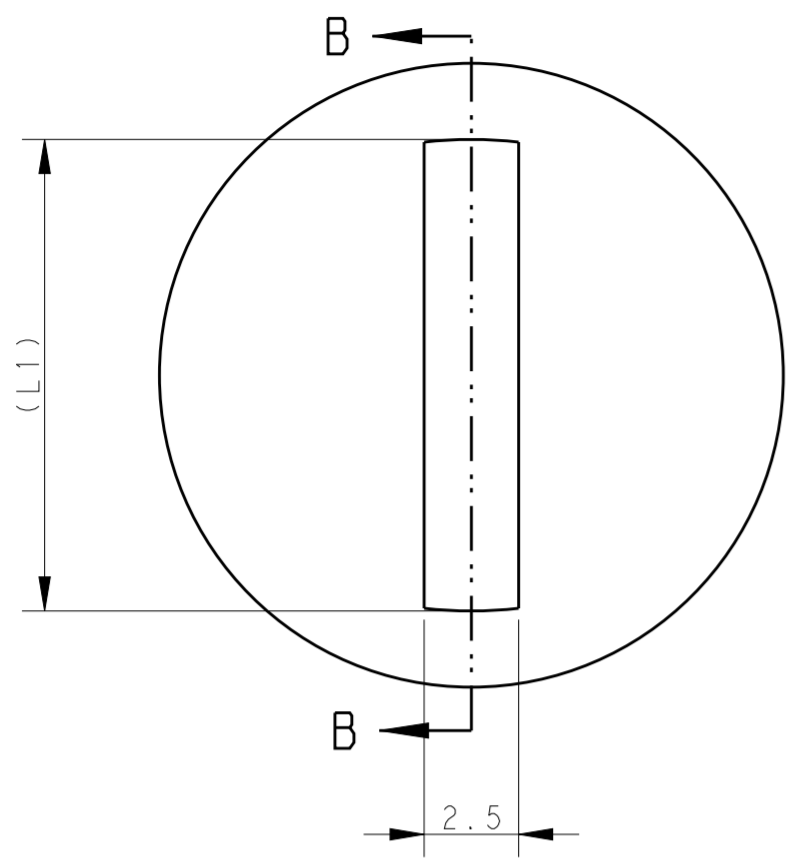
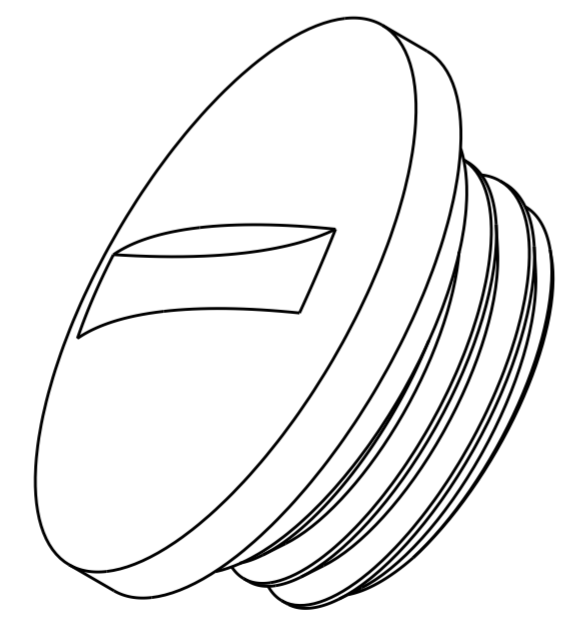
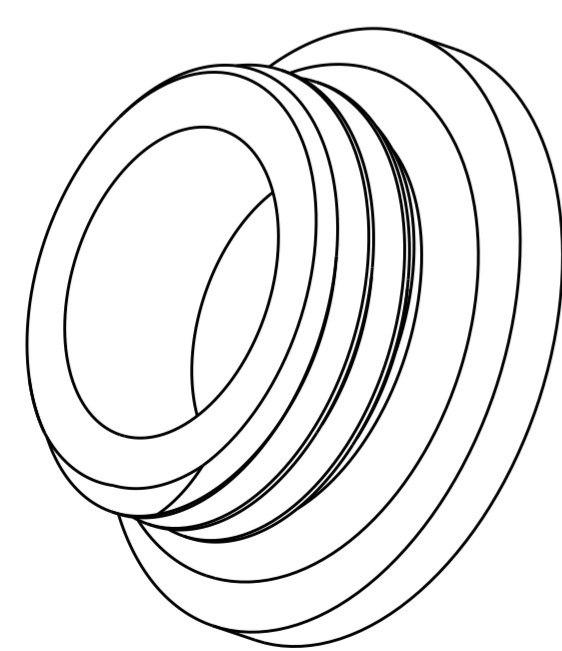
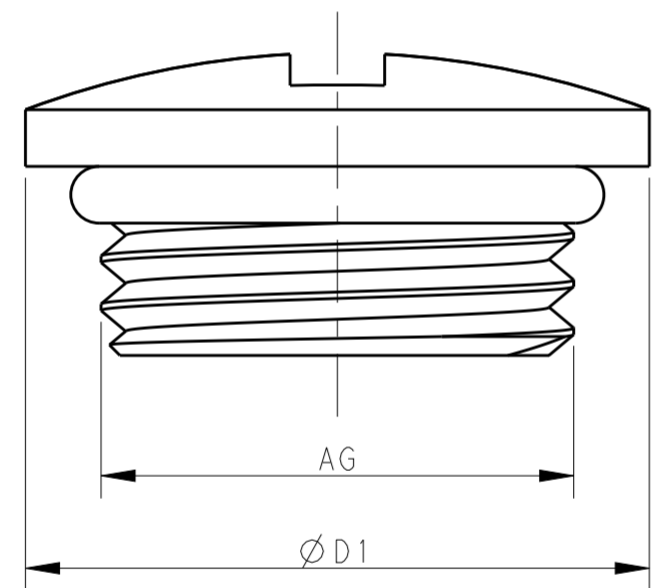


THIS DRAWING IS UNPUBLISHED. RELEASED FOR PUBLICATION 20  
 © COPYRIGHT 20 BY - ALL RIGHTS RESERVED.

| REVISIONS |     |                 |           |     |      |
|-----------|-----|-----------------|-----------|-----|------|
| P         | LTR | DESCRIPTION     | DATE      | DWN | APVD |
|           | A   | INITIAL RELEASE | 07JUL2015 | GY  | CW   |
|           | A1  | ECR-18-011957   | 13AUG2018 | KW  | CW   |
|           | A2  | ECR-18-010068   | 18OCT2018 | YC  | CW   |



SECTION B-B



NOTES:

- 1. TECHNICAL CHARACTERISTICS:  
 BODY MATERIAL:  
 BLIND-32-M-BX & BLIND-25-M-BX: STAINLESS STEEL  
 OTHERS: NICKEL PLATED BRASS  
 SEAL MATERIAL: NBR  
 PROTECTION DEGREE: IP65

注释:

- 1. 技术参数:  
 主体材料:  
 BLIND-32-M-BX & BLIND-25-M-BX: 不锈钢  
 其余型号: 黄铜镀镍  
 密封圈材料: NBR  
 防护等级: IP65

| PART NUMBER     | 零件料号          | PART DESCRIPTION   | 零件描述    | AG   | D1 | H1 | H2  | S    | LI |
|-----------------|---------------|--|---------|------|----|----|-----|------|----|
| T3165070101-001 | BLIND-7-MS    | METAL BLIND PLUG PG7<br>金属堵头 PG7                         | PG7     | 16.5 | 5  | 8  | 1.5 | 11   |    |
| T3165090101-001 | BLIND-9-MS    | METAL BLIND PLUG PG9<br>金属堵头 PG9                         | PG9     | 19   | 6  | 9  | 1.5 | 12.5 |    |
| T3165110101-001 | BLIND-11-MS   | METAL BLIND PLUG PG11<br>金属堵头 PG11                       | PG11    | 22.5 | 6  | 9  | 1.5 | 13.5 |    |
| T3165130101-001 | BLIND-13-MS   | METAL BLIND PLUG PG13.5<br>金属堵头 PG13.5                   | PG13.5  | 24.5 | 7  | 10 | 1.5 | 14.5 |    |
| T3165160101-001 | BLIND-16-MS   | METAL BLIND PLUG PG16<br>金属堵头 PG16                       | PG16    | 26.5 | 7  | 10 | 2   | 17   |    |
| T3165210101-001 | BLIND-21-MS   | METAL BLIND PLUG PG21<br>金属堵头 PG21                       | PG21    | 32   | 7  | 11 | 2.5 | 19   |    |
| T3165290101-001 | BLIND-29-MS   | METAL BLIND PLUG PG29<br>金属堵头 PG29                       | PG29    | 41   | 8  | 12 | 2.5 | 20.5 |    |
| T3165360101-001 | BLIND-36-MS   | METAL BLIND PLUG PG36<br>金属堵头 PG36                       | PG36    | 51   | 9  | 15 | 3.5 | 24   |    |
| T3165420101-001 | BLIND-42-MS   | METAL BLIND PLUG PG42<br>金属堵头 PG42                       | PG42    | 58   | 10 | 16 | 3.5 | 26   |    |
| T3165480101-001 | BLIND-48-MS   | METAL BLIND PLUG PG48<br>金属堵头 PG48                       | PG48    | 64   | 10 | 16 | 3.5 | 27   |    |
| T3165120111-001 | BLIND-12-M    | METAL BLIND PLUG M12<br>金属堵头 M12                         | M12X1.5 | 16   | 5  | 8  | 1.5 | 11   |    |
| T3165160111-001 | BLIND-16-M    | METAL BLIND PLUG M16<br>金属堵头 M16                         | M16X1.5 | 20   | 6  | 9  | 1.5 | 12   |    |
| T3165200111-001 | BLIND-20-M    | METAL BLIND PLUG M20<br>金属堵头 M20                         | M20X1.5 | 24   | 7  | 10 | 1.5 | 14.5 |    |
| T3165250111-001 | BLIND-25-M    | METAL BLIND PLUG M25<br>金属堵头 M25                         | M25X1.5 | 29   | 7  | 10 | 2   | 18   |    |
| T3165320111-001 | BLIND-32-M    | METAL BLIND PLUG M32<br>金属堵头 M32                         | M32X1.5 | 36   | 8  | 12 | 2.5 | 19   |    |
| T3165400111-001 | BLIND-40-M    | METAL BLIND PLUG M40<br>金属堵头 M40                         | M40X1.5 | 44   | 9  | 15 | 3.5 | 23   |    |
| T3165500111-001 | BLIND-50-M    | METAL BLIND PLUG M50<br>金属堵头 M50                         | M50X1.5 | 54   | 10 | 16 | 3.5 | 24   |    |
| T3165250111-101 | BLIND-25-M-BX | METAL BLIND PLUG M25,<br>STAINLESS STEEL<br>金属堵头 M25 不锈钢 | M25X1.5 | 29   | 7  | 10 | 2   | 18   |    |
| T3165320111-101 | BLIND-32-M-BX | METAL BLIND PLUG M32,<br>STAINLESS STEEL<br>金属堵头 M32 不锈钢 | M32X1.5 | 36   | 8  | 12 | 2.5 | 19   |    |

THIS DRAWING IS A CONTROLLED DOCUMENT.

DWN: Gino Yao 06JUL2015  
 CHK: Chris Wang 06JUL2015  
 APVD: Xiang Xu 06JUL2015

**STE** TE Connectivity

NAME: Metal blind plug

PRODUCT SPEC: -  
 APPLICATION SPEC: -  
 WEIGHT: -

MATERIAL: -  
 FINISH: -

SIZE: A2 CAGE CODE: - DRAWING NO: C-T3165XX01XXX00 RESTRICTED TO: -  
 SCALE: 5:1 SHEET 1 OF 1 REV: A2

Customer Drawing

## X-ON Electronics

Largest Supplier of Electrical and Electronic Components

*Click to view similar products for [Heavy Duty Power Connectors](#) category:*

*Click to view products by [TE Connectivity](#) manufacturer:*

Other Similar products are found below :

[1424439](#) [1424438](#) [09330062652](#) [2-8675P1](#) [605601-1](#) [6340G1](#) [6341G1](#) [6360G1](#) [6373G1](#) [6374g2](#) [6396G1](#) [647757-1](#) [66394-4](#) [6643411-1](#)  
[6646058-2](#) [6646137-1](#) [6646138-1](#) [6646348-1](#) [6646479-1](#) [6646608-1](#) [6646786-1](#) [6646940-1](#) [6651091-1](#) [6651525-1](#) [6651529-1](#) [6651778-1](#)  
[6651788-1](#) [696465-1](#) [696475-1](#) [73000005059](#) [73000005349](#) [73000005642](#) [73080255059](#) [73080965046](#) [765-15-0080A](#) [765-16-0080B](#)  
[789.700-44](#) [789.700-54](#) [80-1010](#) [80-9](#) [827381-1](#) [829992-1](#) [902-77-02113](#) [PL00U-301-10D10](#) [PM103MOOLOO](#) [PM16S1620S32-50](#)  
[PM212MOOLOO](#) [PM309FOOLOO](#) [PM324FOOLCH](#) [PMHPAF11S03](#)