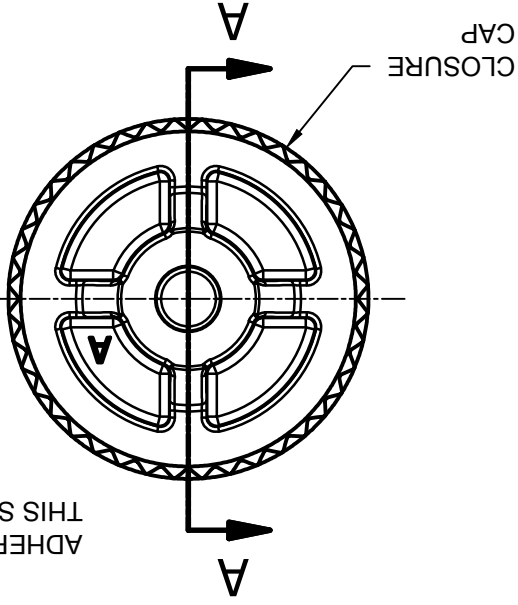


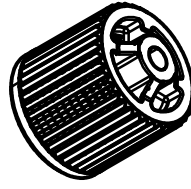
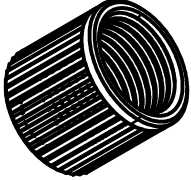
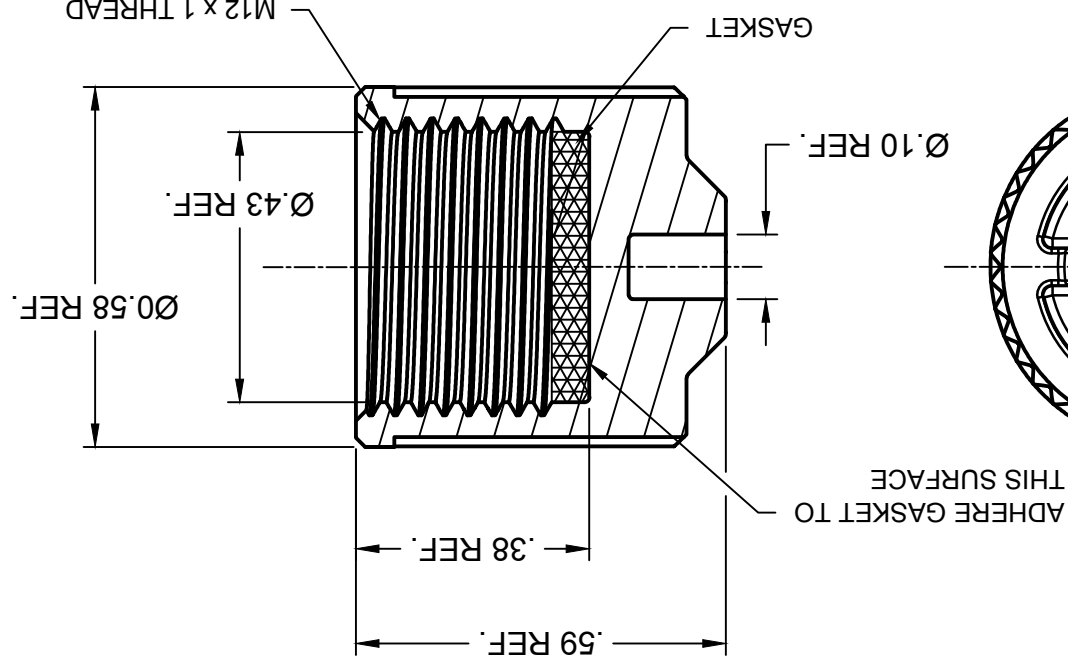
NOTES:
 1. FOR USE ONLY WITH NON-ACTIVE MALE M12 ULTRA-LOCK
 2. GASKET THICKNESS: .062"

TEMPERATURE RATING: -20°C TO +80°C
 FLAMMABILITY RATING: UL94 V-0 (CAP ONLY)

ENVIRONMENTAL: (B)
 MATERIALS:
 CLOSURE CAP: NYLON, BLACK
 GASKET: NEOPRENE RUBBER, BLACK



SECTION A-A



ADD NOTES		REV		B	
FC NO: PC2016-0879		DRWN: MZIELINS		2015/12/10	
CHKD: BARDEN		2015/12/11			
APPR: KJOZMIK		2015/11/09			
QUALITY SYMBOLS		DESCRIPTION			
QUALITY SYMBOLS		QUALITY SYMBOLS			
=0		=0			
1 PLACE		1 PLACE			
2 PLACES		2 PLACES			
3 PLACES		3 PLACES			
4 PLACES		4 PLACES			
ANGULAR ±---		ANGULAR ±---			
DRAFT WHERE APPLICABLE MUST REMAIN WITHIN DIMENSIONS		DRAFT WHERE APPLICABLE MUST REMAIN WITHIN DIMENSIONS			
SIZE		SIZE			
MATERIAL NO.		MATERIAL NO.		1200770149	
APPROVED BY		APPROVED BY		JFMURPHY	
DATE		DATE		2015/11/09	
CHECKED BY		CHECKED BY		RSTONE	
DATE		DATE		2015/11/04	
DRAWN BY		DRAWN BY		MZIELINS	
DATE		DATE		2015/10/28	
DIMENSION STYLE		DIMENSION STYLE		IN ONLY	
SCALE		SCALE		NTS	
DESIGN UNITS		DESIGN UNITS		INCH	
THIRD ANGLE PROJECTION		THIRD ANGLE PROJECTION			
TITLE		TITLE		MICRO-CHANGE FEMALE CLOSURE CAP	
DOCUMENT NO.		DOCUMENT NO.		SD-120077-004	
SHEET NO.		SHEET NO.		1 OF 1	
THIS DRAWING CONTAINS INFORMATION THAT IS PROPRIETARY TO MOLEX INCORPORATED AND SHOULD NOT BE USED WITHOUT WRITTEN PERMISSION		THIS DRAWING CONTAINS INFORMATION THAT IS PROPRIETARY TO MOLEX INCORPORATED AND SHOULD NOT BE USED WITHOUT WRITTEN PERMISSION			

MICRO-CHANGE FEMALE CLOSURE CAP
 MOLEX INCORPORATED

1 2 3 4 5 6

A

A

B

B

C

C

D

D

E

E

1 2 3 4 5 6

X-ON Electronics

Largest Supplier of Electrical and Electronic Components

Click to view similar products for [Standard Circular Connector](#) category:

Click to view products by [Molex](#) manufacturer:

Other Similar products are found below :

[C015](#) [10F006](#) [001](#) [1](#) [5M2530B10P](#) [600259N006](#) [600273N007](#) [600432N009](#) [6280-2PG-519](#) [6280-3PG-311](#) [6280-3SG-311](#) [6280-7SG-3DC](#)
[6280-7SG-522](#) [6282-5PG-311](#) [6282-6PG-519](#) [6282-8SG-311](#) [6283-11](#) [6283-15](#) [6290](#) [6382-2PG-311](#) [6382-2PG-3DC](#) [6382-2SG-321](#) [6382-2SG-3DC](#) [6382-4SG-516](#) [67-03E20-37P](#) [681-PMG](#) [CXS3102A14S2P](#) [CXS3102A181S](#) [CXS3106A14S6S](#) [MB12P-1](#) [MB12R-6](#) [7251-2PG-300](#) [7251-2SG-300](#) [7251-4PG-300](#) [7251-4SG-300](#) [7251-5PG-300](#) [7251-5SG-300](#) [7251-6SG-300](#) [7251-7PG-300](#) [7251-8PG-300](#) [7271-6SG-300](#) [7282-3PG-300-CH3](#) [73000005663](#) [75-190216-08S](#) [75-190218-10P](#) [75-474118-10P](#) [75-474618-01S](#) [75-474620-07P](#) [799539-000](#) [MI8-SE](#) [80-190222-18P](#) [805-005-07NF11-19PC](#) [805-005-07NF15-7PA](#)