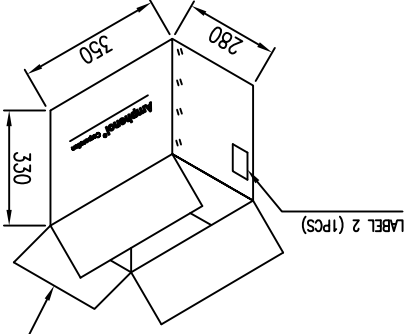


This document is the property of Amphenol Corporation and is delivered on the express condition that it is not to be disclosed, reproduced or used, in whole or in part, for manufacture or sale by anyone other than Amphenol Corporation without its prior consent, and that no right is granted to disclose or to use any information in this document. The marking on this product doesn't contain environmental hazardous material and must follow one or more specifications per Material Specification SS-00259 for Sony GP compliant or per directive 2011/65/EU for RoHS compliant or per IEC 61249-2-21 for Halogen Free compliant.

REV	DATE	DESCRIPTION	BY
A	07/02/2010	RELEASE TO PRODUCTION	Sondra Song
B	07/28/2010	MODIFIED THE FRONT SHELL PLATING	Sondra Song
C	08/06/2010	MODIFIED PMS	Sondra Song
D	10/06/2010	MODIFIED MATERIAL	Sondra Song
E	06/23/2011	ADDED PANEL CUTOUT	Sondra Song
F	01/22/2014	MODIFIED PMS ADDED OPTIONS	Sondra Song
A1	08/11/2015	ADD SHARPENED HEIGHT DIM	Airon Lin
B1	12/06/2016	ADDED D/C PK	Airon Lin

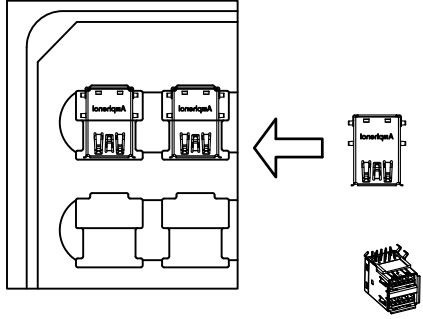
PN :	GSBX11231HR
QTY :	100
LABEL 1 = QTY :	1500
LABEL 2 = QTY :	1500
P/O :	411-012345-001
DATE :	04/01/2010
MM / DD / YYYY	
G.W :	15.00 KG
RoHS	

Amphenol Taiwan Corporation
LABEL 1 & LABEL 2
CARTON



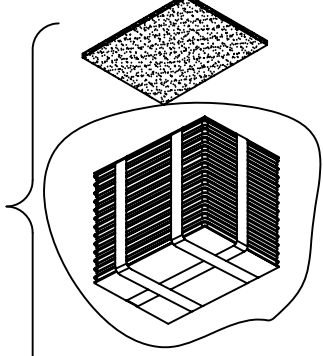
NOTES:
 1. MATERIAL: TRAY-PET
 2. THICKNESS: 0.80 mm MINIMUM
 3. THE BARCODE MUST BE 3 OF 9 BARCODE
 4. COMPONENTS LOAD PER THE TRAY: 100 PCS.
 5. THIS PRODUCT DOESN'T CONTAIN ENVIRONMENTAL HAZARDOUS MATERIALS
 PER DIRECTIVE 2011/65/EC FOR ROHS COMPLIANT

(mm) FOR REFERENCE			
PART NO.	PCS. / TRAY	100X15=1500 PCS.	
TRAY / CARTON	N.W.	G.W.	

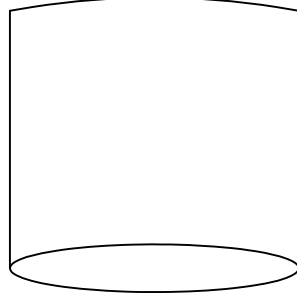
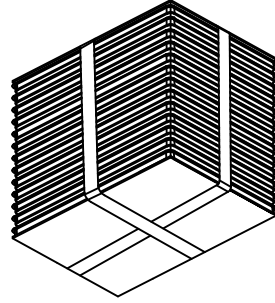
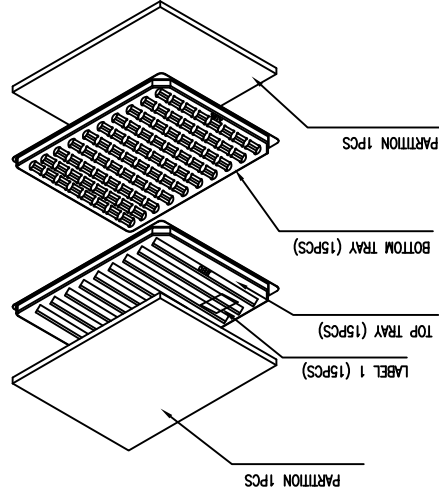


100 PCS / TRAY

EPE FOAMS X2



= 15 TRAYS / SETS + PARTITION X2PCS



PE BAG

TOLERANCE	APPROVALS	DATE	TITLE	USB 3.0 CONNECTOR, STANDARD A, STACKED, R/A DIP TYPE	Amphenol Corporation Amphenol Taiwan Corporation
X. X.X ±0.30 X.XX ±0.20 X.XXX ±0.10	DRAWN Deby Hung	12/06/2016	DATE	US 3.0 CONNECTOR, STANDARD A, STACKED, R/A DIP TYPE	Amphenol Corporation Amphenol Taiwan Corporation
ANGULAR ±1	CHECKED Roger Tsai	12/06/2016	APPROVED	US 3.0 CONNECTOR, STANDARD A, STACKED, R/A DIP TYPE	Amphenol Corporation Amphenol Taiwan Corporation
UNLESS OTHERWISE SPECIFIED	APPROVED Airon Lin	12/06/2016	PROJECT CODE	US 3.0 CONNECTOR, STANDARD A, STACKED, R/A DIP TYPE	Amphenol Corporation Amphenol Taiwan Corporation
	CUST DWG	OTHER	PROJECT CODE	US 3.0 CONNECTOR, STANDARD A, STACKED, R/A DIP TYPE	Amphenol Corporation Amphenol Taiwan Corporation
	DWG TYPE	OTHER	PROJECT CODE	US 3.0 CONNECTOR, STANDARD A, STACKED, R/A DIP TYPE	Amphenol Corporation Amphenol Taiwan Corporation

REV	B1
DWG No.	GSB311231HR
SHEET	2 OF 2
SCALE	NA
LIMIT	mm
SIZE	A3
PART No.	GSB3 112 XX XHR

X-ON Electronics

Largest Supplier of Electrical and Electronic Components

Click to view similar products for [USB Connectors](#) category:

Click to view products by [Amphenol](#) manufacturer:

Other Similar products are found below :

[10033527-N3112MLF](#) [17-210561](#) [GMCB05B11124H1EU](#) [17-200931](#) [65-647-8-BK-BU](#) [690-010-295-484](#) [73725-1191BLF](#) [950](#) [E8144-B01021-L](#) [A-USB A-LP-SMT-C](#) [A-USB B-TOP-C](#) [MUSBA511N5](#) [MUSBB15131](#) [MUSBC111M5](#) [MUSBD11135](#) [217450-1](#) [CA 6 W LD](#) [896-30-004-00-000000](#) [KUSBVX-BS1N-W30](#) [KUSBX-AP-KIT-SCBLK](#) [KUSBX-AS2N-W](#) [KUSBX-SMT2AP1S-W](#) [KUSBX-SMTBS1NBTR](#) [30-498-6](#) [SK-60A-2](#) [17-200261](#) [17-210051](#) [1734082-1](#) [FK-37-32SL](#) [30-1574](#) [30-470](#) [30-489](#) [30-572-3](#) [30-9503](#) [M9177/2-1](#) [MAB 5 S](#) [MIKROE-1451](#) [33UBBR-04SW11R](#) [USBFTV2PEM2G](#) [USBFTVC6ZN](#) [USBFTVSCCG](#) [KUSBX-AS2N-W30](#) [KUSBX-SLAS1N-W](#) [KUSBX-SLAS1N-W30](#) [1-1734084-2](#) [E8110-001-01](#) [MUSBC11135](#) [33UBAR-04SW11](#) [USBF21ZNSCC](#) [USBBFTV6ZC](#)