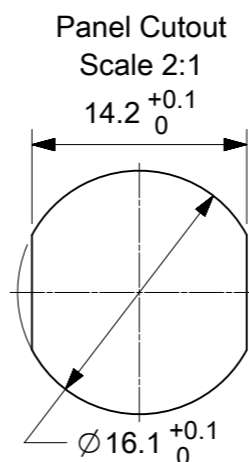
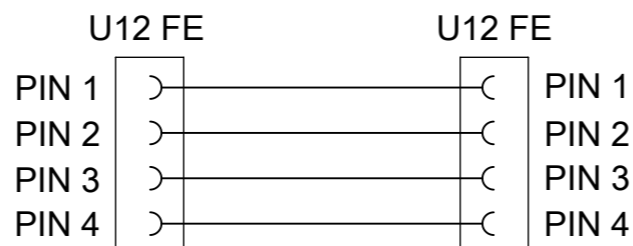
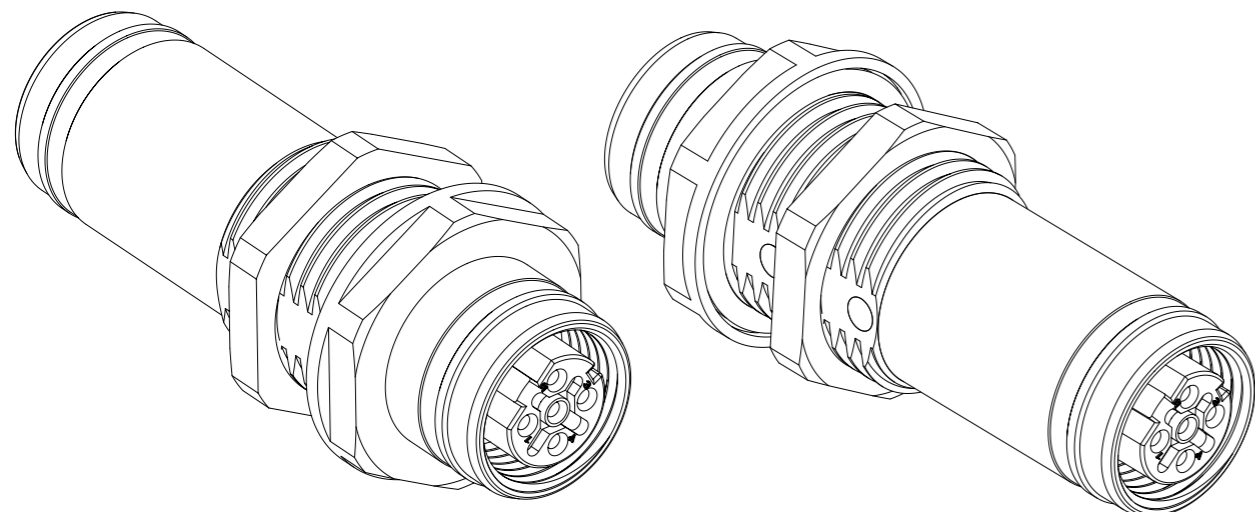


WIRING DIAGRAM



**NOTES:**  
 CONTACT CURRENT RATING: 4A  
 VOLTAGE RATING: 60V  
 TEMPERATURE: -25°C / +85°C  
 INTERNATIONAL PROTECTION: SIDE 1 - IP 67/68/69K  
 SIDE 2 - IP65

ITEM	QTY.	DESCRIPTION	MATERIAL	FINISH
8	-	POTTING MATERIAL 2-CMPT	PUR-BASE	---
7	1	LOCKNUT SW19 M16x1.5	BRASS	NICKEL
6	1	ORING Ø16mm BLACK	EPDM	---
5	-	WIRES 0.35mm <sup>2</sup>	PVC	---
4	2	ORING Ø7.1mm RED	FPM	---
3	2	INSERT FEMALE 5P AC BLACK	PUR	---
2	1	SHELL U12/M16/U12	BRASS	NICKEL
1	8	CONTACT M12 FEMALE	BRONZE	SELECTIVE Au OVER Ni



SCALE 2:1

<b>QUALITY SYMBOLS</b> FA = 0 FE = 0 FB = 0 ▼ = 0 C = 0 ⊗ = 0 ■ = 0 ∇ = 0	THIS DRAWING CONTAINS INFORMATION THAT IS PROPRIETARY TO MOLEX ELECTRONIC TECHNOLOGIES, LLC AND SHOULD NOT BE USED WITHOUT WRITTEN PERMISSION		DIMENSION UNITS: MM SCALE: 3:1				
	EC NO: 110653 DRWN: JMARSZALEK CHK'D: RSILLER APPR: RSILLER	2016/11/15 2016/11/22	GENERAL TOLERANCES (UNLESS SPECIFIED) ANGULAR TOL ± 1.0 ° 4 PLACES ± 3 PLACES ± 2 PLACES ± 0.05 1 PLACE ± 0.3 0 PLACES ± 0.5			DRWN BY: JMARSZALEK DATE: 2016/08/11 CHK'D BY: RSILLER DATE: 2016/08/29	<b>REC U12 U12 4P DC FE FE M16 BULKHEAD</b>
	DRAFT WHERE APPLICABLE MUST REMAIN WITHIN DIMENSIONS		DRAWING SIZE: A3 THIRD ANGLE PROJECTION	PRODUCT CUSTOMER DRAWING			
	SERIES: 120084 MATERIAL NUMBER: 1200848170 CUSTOMER: GENERAL MARKET		DOCUMENT NUMBER: 1200848170 DOC TYPE: PSD DOC PART: 000 SHEET NUMBER: 1 OF 1				

## X-ON Electronics

Largest Supplier of Electrical and Electronic Components

*Click to view similar products for [Circular Metric Connectors](#) category:*

*Click to view products by [Molex](#) manufacturer:*

Other Similar products are found below :

[1424048](#) [1021212](#) [600X518037X](#) [6STD09SAM99B70X](#) [6STD15PCR99B70A](#) [8R4000A16M020](#) [1200910002](#) [1201150041](#) [1203580030](#)  
[1200700064](#) [1200700263](#) [1200700416](#) [1200730102](#) [1200770002](#) [1-2823588-2](#) [130203-0054](#) [1300140026](#) [1300150099](#) [1-3637-600-5205](#)  
[1545399](#) [1594331](#) [1600413](#) [1612606](#) [1612618](#) [1614660](#) [1A4000-348](#) [CA06EW24-10P-B-03](#) [21036836414](#) [2823064-1](#) [1610759](#) [A1642LK-](#)  
[II-T](#) [1R3006A20M005](#) [41-01016](#) [41-40011](#) [41-40017](#) [42-00006](#) [42-01015](#) [4-22279-4](#) [4-22281-1](#) [4-22284-9](#) [43-00002](#) [43-00113](#) [43-00130](#)  
[43-01028](#) [43-01034](#) [43-01088](#) [43-01090](#) [43-01203](#) [43-01209](#) [43-01335](#)