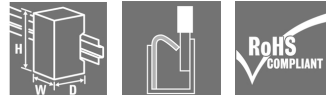


ACT20P ACT20P-PRO DCDC II-P

Weidmüller Interface GmbH & Co. KG
 Klingenbergstraße 16
 D-32758 Detmold
 Germany
 Fon: +49 5231 14-0
 Fax: +49 5231 14-292083
 www.weidmueller.com

Similar to illustration



ACT20P: The flexible solution

- Precise and highly functional signal converters
- Simple configuration via display (Pro DCDC II), FDT/DTM software or DIP switch
- Release levers simplify handling
- More space in the control cabinet, from 12.5 mm wide for two channels

General ordering data

| | |
|------------|---|
| Type | ACT20P-PRO DCDC II-P |
| Order No. | 1481960000 |
| Version | ACT20P, Signal converter/insulator, Signal converter/isolator, universal, 24...230 V AC/DC power supply |
| GTIN (EAN) | 4050118291025 |
| Qty. | 1 pc(s). |

ACT20P
ACT20P-PRO DCDC II-P

Weidmüller Interface GmbH & Co. KG
 Klingenbergstraße 16
 D-32758 Detmold
 Germany
 Fon: +49 5231 14-0
 Fax: +49 5231 14-292083
 www.weidmueller.com

Technical data**Dimensions and weights**

| | | | |
|--------|----------|-----------------|------------|
| Width | 12.5 mm | Width (inches) | 0.492 inch |
| Height | 117.2 mm | Height (inches) | 4.614 inch |
| Depth | 113.7 mm | Depth (inches) | 4.476 inch |
| Weight | 130 g | Net weight | 20 g |

Temperatures

| | |
|-----------------------|---------------------|
| Operating temperature | Storage temperature |
|-----------------------|---------------------|

Environmental Product Compliance

| | |
|------------|----------------|
| REACH SVHC | Lead 7439-92-1 |
|------------|----------------|

Input

| | | | |
|---------------------------|---|---------------|--|
| Number of inputs | 1 | Input voltage | configurable, ± 20 mV... ± 300 V, min. measuring range 40 mV |
| Input resistance, voltage | approx. 1 M Ω | Input current | configurable, ± 0.1 mA... \pm 100 mA |
| Input resistance, current | < 5 mA: approx. 100 Ω ; >5 mA: approx. 5 Ω | | |

Output

| | | | |
|---------------------------|-----------------------------|------------------------|------------------------------|
| Output voltage, note | adjustable, 0... ± 10 V | Output current | adjustable, 0... ± 20 mA |
| Cut-off frequency (-3 dB) | > 10 kHz / < 10 Hz | load impedance voltage | ≥ 1 k Ω |
| load impedance current | ≤ 600 Ω | Offset voltage | < 10 mV |
| Offset current | 20 μ A | Status indicator | Green LED |

Display

| | | | |
|------|---|---------------|---|
| Type | Dot-matrix display with ticker text, green | Display value | current measured value, Configuration data |
|------|---|---------------|---|

General data

| | | | |
|-------------------------|---|--------------------|---|
| Accuracy | < 0.05 % of measuring range | Configuration | DIP switch, or via display and push-buttons |
| Galvanic isolation | 3-way isolator, between input / output / supply | Power consumption | ≤ 2.3 W |
| Rail | TS 35 | Step response time | ≤ 50 ms |
| Temperature coefficient | $\leq 0.01\%$ of the output measurement range / $^{\circ}$ C | Voltage supply | 24...230 V DC ± 20 %, 24...230 V AC ± 10 % @ 48...62 Hz |

Insulation coordination

| | | | |
|--------------------|--|---------------------------|-----------------------|
| Galvanic isolation | 3-way isolator, between input / output / supply | Impulse withstand voltage | 5 kV (1.2/50 μ s) |
| Insulation voltage | 4 kV _{eff} , input / output / power supply | Pollution severity | 2 |
| Rated voltage | 600 V | Surge voltage category | II |

ACT20P
ACT20P-PRO DCDC II-P

Weidmüller Interface GmbH & Co. KG
 Klingenbergstraße 16
 D-32758 Detmold
 Germany
 Fon: +49 5231 14-0
 Fax: +49 5231 14-292083
 www.weidmueller.com

Technical data**Connection data**

| | | | |
|---|---------------------|---|---------------------|
| Type of connection | PUSH IN | Tightening torque, min. | 0.4 Nm |
| Tightening torque, max. | 0.6 Nm | Clamping range, rated connection | 2.5 mm ² |
| Clamping range, min. | 0.5 mm ² | Clamping range, max. | 2.5 mm ² |
| Wire connection cross section AWG, min. | AWG 30 | Wire connection cross section AWG, max. | AWG 14 |

Ratings IECEx/ATEX/cUL

| | |
|------------------------|------------------|
| Certificate No. (ATEX) | DEMKO15ATEX1397X |
|------------------------|------------------|

Classifications

| | | | |
|------------|-------------|------------|-------------|
| ETIM 6.0 | EC002653 | eClass 6.2 | 27-21-01-20 |
| eClass 9.0 | 27-21-01-20 | eClass 9.1 | 27-21-01-20 |

Product information

| | |
|---------------------|---|
| Product information | <p>The universally configurable DC isolating amplifier ACT20P-PRO DCDC II isolates and converts analogue signals. An analogue input signal (current or voltage) is linearly converted into an analogue output signal (current or voltage) and galvanically isolated. The power supply is galvanically isolated from the input and output (3-way isolation).</p> <p>Properties</p> <ul style="list-style-type: none"> • universal wide-range voltage supply • universally configurable via DIP switch or via the LED display using control buttons • Active or passive signal output • Operating status display on a front panel LED • Galvanic 3-way isolation between input, output and supply. |
|---------------------|---|

Approvals

Approvals



| | |
|-----------|------------------|
| Approvals | CULUS;GERMLLOYD; |
| ROHS | Conform |

Downloads

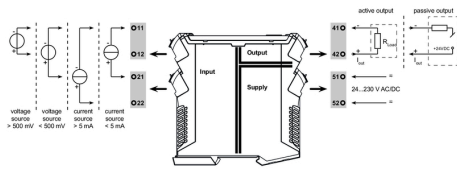
| | |
|---|---|
| Approval/Certificate/Document of Conformity | Declaration of Conformity UL file number DNV German Loyd approval |
| Software | DIP switch configuration tool |
| User Documentation | Instruction sheet |

**ACT20P
ACT20P-PRO DCDC II-P**

Weidmüller Interface GmbH & Co. KG
Klingenbergstraße 16
D-32758 Detmold
Germany
Fon: +49 5231 14-0
Fax: +49 5231 14-292083
www.weidmueller.com

Drawings

Wiring



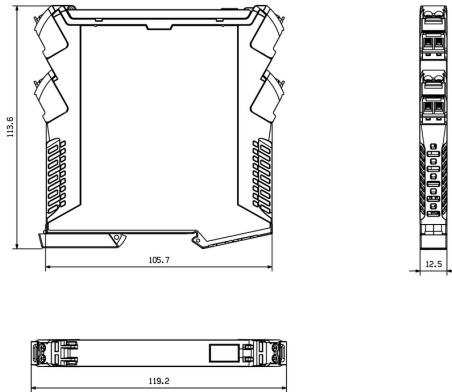
Configuration

| Input range | DIP switch | | | |
|---------------------------|------------|---|---|---|
| | 1 | 2 | 3 | 4 |
| configuration via display | | | | |
| -10...+10 V | | | | |
| -5...+5V | | | | |
| 0...300 V | | | | |
| 0...100 V | | | | |
| 0...30 V | | | | |
| 0...10 V | | | | |
| 2...10 V | | | | |
| 0...5 V | | | | |
| 1...5 V | | | | |
| 0...150 mV | | | | |
| 0...60 mV | | | | |
| -20...+20 mA | | | | |
| 0...20 mA | | | | |
| 4...20 mA | | | | |
| reserved | | | | |

| Output range | DIP switch | | | |
|---------------------------|------------|---|---|---|
| | 5 | 6 | 7 | 8 |
| configuration via display | | | | |
| -10...+10 V | | | | |
| -5...+5V | | | | |
| 10...0 V * | | | | |
| 0...10 V | | | | |
| 2...10 V | | | | |
| 5...0 V * | | | | |
| 0...5 V | | | | |
| 1...5 V | | | | |
| -20...+20 mA | | | | |
| -10...+10 mA | | | | |
| 20...0 mA * | | | | |
| 0...20 mA | | | | |
| 20...4 mA * | | | | |
| 4...20 mA | | | | |
| reserved | | | | |

■ = ON * Inverted output range: Output polarity must be reversed!

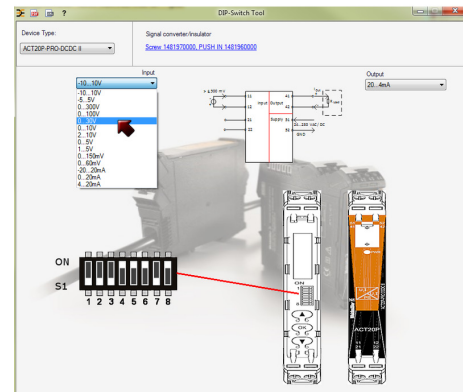
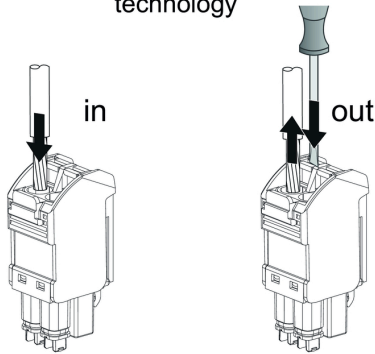
Dimensioned drawing, Similar to illustration



**ACT20P
ACT20P-PRO DCDC II-P**

Weidmüller Interface GmbH & Co. KG
 Klingenbergstraße 16
 D-32758 Detmold
 Germany
 Fon: +49 5231 14-0
 Fax: +49 5231 14-292083
 www.weidmueller.com

**PUSH IN
technology**



example for DIP switch setting (with ACT20 tool)

X-ON Electronics

Largest Supplier of Electrical and Electronic Components

Click to view similar products for [Measuring Tools](#) category:

Click to view products by [Weidmuller](#) manufacturer:

Other Similar products are found below :

[G336](#) [M225203-01](#) [G426](#) [G1333](#) [G1327](#) [G1154](#) [G1150](#) [G1152](#) [G1157](#) [G1153](#) [G1155](#) [G1009](#) [1051-03](#) [121010D](#) [121050D](#) [25541](#) [8255](#)
[NF-221200130](#) [20323](#) [20329](#) [20363](#) [20365](#) [20515](#) [20516](#) [G800](#) [G1229](#) [5205000](#) [5206000](#) [5223000](#) [6921000](#) [YT-30061](#) [W002900](#)
[W061008](#) [W061009](#) [W061010](#) [W062004](#) [W066005](#) [W066006](#) [15225](#) [16135](#) [16456](#) [17215](#) [17218](#) [17221](#) [17670](#) [17672](#) [17677](#) [17953](#)
[18115](#) [18879](#)