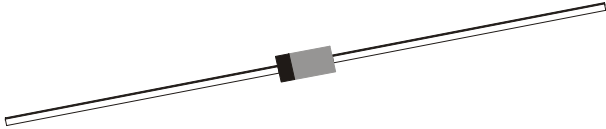


SILICON PLANAR ZENER DIODES

**1N5223B to 1N5273B
2.7V to 120V**



**DO- 35
Glass Axial Package**

FEATURES

The zeners with glass passivated junction in the hermetically sealed glass package with double studs, provides excellent stability, reliability and better power dissipation.

ABSOLUTE MAXIMUM RATINGS

DESCRIPTION	SYMBOL	VALUE	UNIT
DC Power Dissipation	P_D	500	mW
Power Derating above 75°C		4.0	mW/°C
Operating and Storage Temperature	T_{stg}	- 65 to +200	°C

ELECTRICAL CHARACTERISTICS ($T_a=25^\circ\text{C}$ unless specified otherwise)

Forward Voltage at $I_F=200\text{mA}$ $V_F < 1.1\text{ V}$

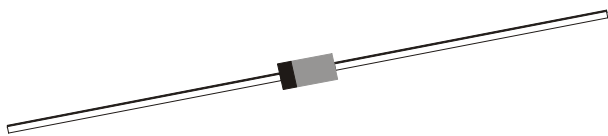
No Suffix $\pm 20\%$ tolerance, Suffix 'A' $\pm 10\%$ tolerance, and Suffix 'B' $\pm 5\%$ tolerance

Device (Note 1)	Nominal Voltage V_Z at I_{ZT}	Test Current I_{ZT}	Max Zener Impedance A & B Suffix only (Note 2)		Max Reverse Leakage Current		Max Zener Voltage Temp. Coeff. αV_Z (Note 3) (A&B Suffix only) αV_Z (% /°C)
			Z_{ZT} at I_{ZT} W	Z_{ZK} at $I_{ZK}=0.25\text{mA}$ W	I_R at V_R mA	 V	
1N5223B	2.7	20	30	1300	75	1.0	-0.080
1N5224B	2.8	20	30	1400	75	1.0	-0.080
1N5225B	3.0	20	29	1600	50	1.0	-0.075
1N5226B	3.3	20	28	1600	25	1.0	-0.070
1N5227B	3.6	20	24	1700	15	1.0	-0.065
1N5228B	3.9	20	23	1900	10	1.0	-0.060
1N5229B	4.3	20	22	2000	5.0	1.0	± 0.055
1N5230B	4.7	20	19	1900	5.0	2.0	± 0.030
1N5231B	5.1	20	17	1600	5.0	2.0	± 0.030
1N5232B	5.6	20	11	1600	5.0	3.0	+0.038
1N5233B	6.0	20	7	1600	5.0	3.5	+0.038
1N5234B	6.2	20	7	1000	5.0	4.0	+0.045
1N5235B	6.8	20	5	750	3.0	5.0	+0.050
1N5236B	7.5	20	6	500	3.0	6.0	+0.058
1N5237B	8.2	20	8	500	3.0	6.5	+0.062
1N5238B	8.7	20	8	600	3.0	6.5	+0.065
1N5239B	9.1	20	10	600	3.0	7.0	+0.068
1N5240B	10	20	17	600	3.0	8.0	+0.075
1N5241B	11	20	22	600	2.0	8.4	+0.076
1N5242B	12	20	30	600	1.0	9.1	+0.077

1N5223B_5273B Rev_1 050303E

SILICON PLANAR ZENER DIODES

1N5223B to 1N5273B
2.7V to 120V



DO- 35
Glass Axial Package

ELECTRICAL CHARACTERISTICS (T_a=25°C unless specified otherwise)

Forward Voltage at I_F = 200mA V_F < 1.1 V

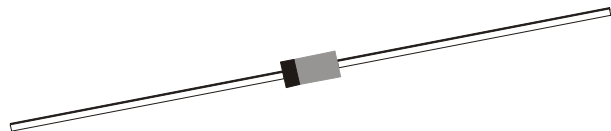
No Suffix ±20% tolerance, Suffix 'A' ±10% tolerance, and Suffix 'B' ±5% tolerance

Device (Note 1)	Nominal Voltage V _Z at I _{ZT}	Test Current I _{ZT}	Max Zener Impedance A & B Suffix only (Note 2)		Max Reverse Leakage Current I _R at V _R		Max Zener Voltage Temp. Coeff. αV _Z (Note 3) (A&B Suffix only) a V _Z (% /°C)
			Z _{ZT} at I _{ZT}	Z _{ZK} at I _{ZK} =0.25mA	mA	V	
			W	W			
1N5243B	13	9.5	13	600	0.5	9.9	+0.079
1N5244B	14	9.0	15	600	0.1	10	+0.082
1N5245B	15	8.5	16	600	0.1	11	+0.082
1N5246B	16	7.8	17	600	0.1	12	+0.083
1N5247B	17	7.4	19	600	0.1	13	+0.084
1N5248B	18	7.0	21	600	0.1	14	+0.085
1N5249B	19	6.6	23	600	0.1	14	+0.086
1N5250B	20	6.2	25	600	0.1	15	+0.086
1N5251B	22	5.6	29	600	0.1	17	+0.087
1N5252B	24	5.2	33	600	0.1	18	+0.088
1N5253B	25	5.0	35	600	0.1	19	+0.089
1N5254B	27	4.6	41	600	0.1	21	+0.090
1N5255B	28	4.5	44	600	0.1	21	+0.091
1N5256B	30	4.2	49	600	0.1	23	+0.091
1N5257B	33	3.8	58	700	0.1	25	+0.092
1N5258B	36	3.4	70	700	0.1	27	+0.093
1N5259B	39	3.2	80	800	0.1	30	+0.094
1N5260B	43	3.0	93	900	0.1	33	+0.095
1N5261B	47	2.7	105	1000	0.1	36	+0.095
1N5262B	51	2.5	125	1100	0.1	39	+0.096
1N5263B	56	2.2	150	1300	0.1	43	+0.096
1N5264B	60	2.1	170	1400	0.1	46	+0.097
1N5265B	62	2.0	185	1400	0.1	47	+0.097
1N5266B	68	1.8	230	1600	0.1	52	+0.097
1N5267B	75	1.7	270	1700	0.1	56	+0.098
1N5268B	82	1.5	330	2000	0.1	62	+0.098
1N5269B	87	1.4	370	2200	0.1	68	+0.099

1N5223B_5273B Rev_1 050303E

SILICON PLANAR ZENER DIODES

1N5223B to 1N5273B
2.7V to 120V



DO- 35
Glass Axial Package

ELECTRICAL CHARACTERISTICS (T_a=25°C unless specified otherwise)

Forward Voltage at I_F=200mA V_F <1.1 V

No Suffix +20% tolerance, Suffix 'A' +10% tolerance, and Suffix 'B' +5% tolerance

Device (Note 1)	Nominal Voltage V _Z @ I _{ZT} V	Test Current I _{ZT} mA	Max Zener Impedance A & B Suffix only (Note 2)		Max Reverse Leakage Current I _R at V _R		Max Zener Voltage Temp. Coeff. qV _Z (Note 3) (A&B Suffix only) a V _Z (% /°C)
			Z _{ZT} @ I _{ZT} W	Z _{ZK} @ I _{ZK} =0.25mA W	mA	V	
1N5270B	91	1.4	400	2300	0.1	69	+0.099
1N5271B	100	1.3	500	2600	0.1	76	+0.110
1N5272B	110	1.1	750	3000	0.1	84	+0.110
1N5273B	120	1.0	900	4000	0.1	91	+0.110

1N5223B_5273B Rev_1 050303E

NOTE 1: The electrical characteristics are measured after allowing the device to stabilize for 20 seconds when mounted with a 9.525 mm (3/8") minimum lead length from the case.

NOTE 2: The zener impedance is derived from the 50 Hz AC voltage, which results when AC current having an RMS value equal to 10% of the DC zener current (I_{ZT} or I_{ZK}) is superimposed on I_{ZT} or I_{ZK}. Zener impedance is measured at two points to insure a sharp knee on the breakdown curve, thereby, eliminating unstable units.

NOTE 3: Temperature coefficient (qV_Z).

Test conditions for temperature coefficient are as follows.

a. I_{ZT}=7.5mA, T_J=25°C

T₂=125°C(1N5223A, B thru 1N5242A, B)

b. I_{ZT}=Rated I_{ZT}, T_J=25°C

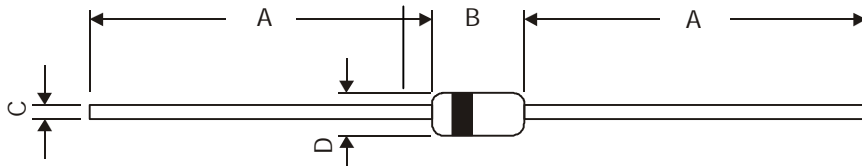
T₂=125°C(1N5243A, B thru 1N5273A, B)

Device to be temperature stabilized with current applied prior to reading breakdown voltage at the specified ambient temperature

**1N5223B to 1N5273B
2.7V to 120V**

**DO-35
Glass Axial Package**

DO-35 Glass Axial Package

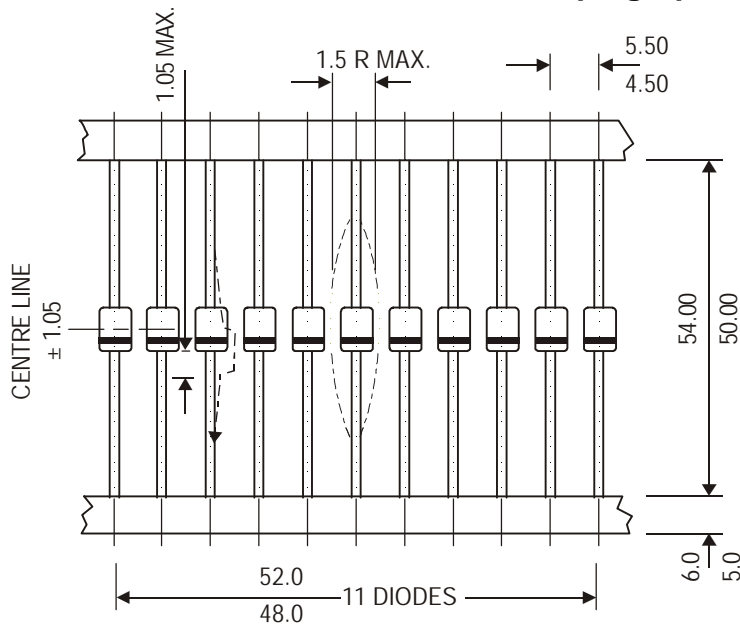


DIM	MIN	MAX
A	25.40	—
B	3.05	4.15
C	0.46	0.56
D	1.70	2.29

All dimensions are in mm.

NOTE: Cathode is marked by Band.

DO-35, 52mm Taping Specification

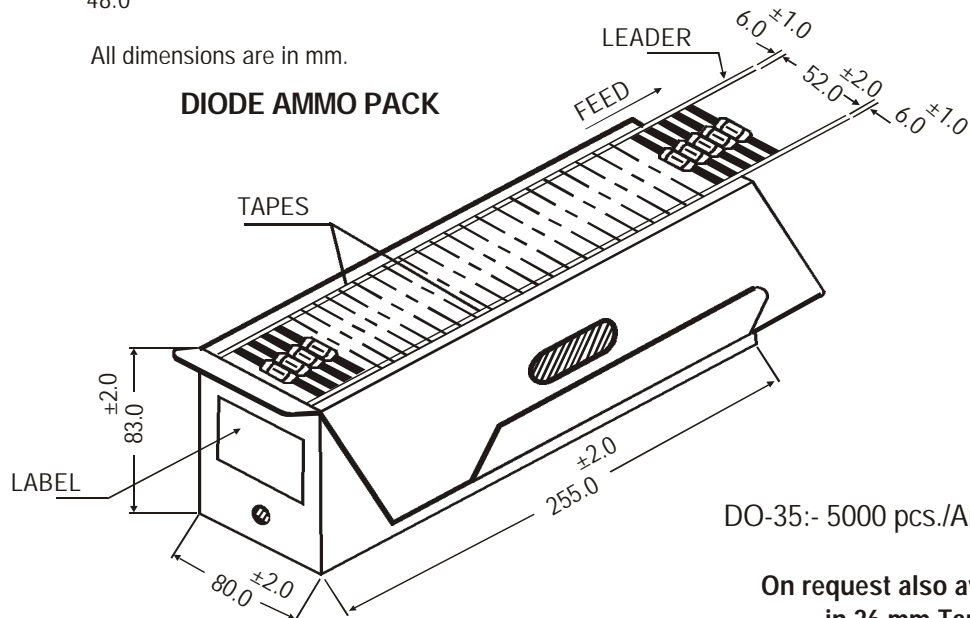


52 mm Taping Specification

1. T & A indicates Axial Tape and Ammo Packing (52 mm Tape Spacing).
2. 300 mm (min) leader tape on every tape.
3. No. of empty places allowed 0.25% without consecutive empty places.
4. Ends of leads shall preferably not protrude beyond the tapes.
5. Components shall be held sufficiently in the tape or tapes so that they can not come free in normal handling.

All dimensions are in mm.

DIODE AMMO PACK



DO-35:- 5000 pcs./Ammo Pack

On request also available
in 26 mm Tape

Packing Detail

PACKAGE	STANDARD PACK		INNER CARTON BOX		OUTER CARTON BOX		
	Details	Net Weight/Qty	Size	Qty	Size	Qty	Gr Wt
DO-35 T&A	5K/ammo box	0.88 kg/5K pcs	10" x 3.2" x 3.2"	5K	12.7" x 12.7" x 20"	125K	25 kgs

Disclaimer

The product information and the selection guides facilitate selection of the CDIL's Discrete Semiconductor Device(s) best suited for application in your product(s) as per your requirement. It is recommended that you completely review our Data Sheet(s) so as to confirm that the Device(s) meet functionality parameters for your application. The information furnished in the Data Sheet and on the CDIL Web Site/CD are believed to be accurate and reliable. CDIL however, does not assume responsibility for inaccuracies or incomplete information. Furthermore, CDIL does not assume liability whatsoever, arising out of the application or use of any CDIL product; neither does it convey any license under its patent rights nor rights of others. These products are not designed for use in life saving/support appliances or systems. CDIL customers selling these products (either as individual Discrete Semiconductor Devices or incorporated in their end products), in any life saving/support appliances or systems or applications do so at their own risk and CDIL will not be responsible for any damages resulting from such sale(s).

CDIL strives for continuous improvement and reserves the right to change the specifications of its products without prior notice.



CDIL is a registered Trademark of
Continental Device India Limited

C-120 Naraina Industrial Area, New Delhi 110 028, India.
Telephone + 91-11-2579 6150 Fax + 91-11-2579 9569, 2579 5290
e-mail sales@cdil.com www.cdil.com www.cdilsemi.com

X-ON Electronics

Largest Supplier of Electrical and Electronic Components

Click to view similar products for [Zener Diodes](#) category:

Click to view products by [CDIL](#) manufacturer:

Other Similar products are found below :

[MMSZ5245BS-7-F](#) [RKZ13B2KG#P1](#) [RKZ5.6B2KJ#R1](#) [EDZTE6113B](#) [EDZTE6116B](#) [EDZTE616.8B](#) [1N747A](#) [1N966B](#) [NTE5116A](#)
[NTE5121A](#) [NTE5139A](#) [NTE5147A](#) [NTE5152A](#) [NTE5156A](#) [NTE5164A](#) [JANS1N4974US](#) [SMAJ4764A-TP](#) [RKZ5.1BKU#P6](#)
[3SMAJ5946B-TP](#) [3SMAJ5950B-TP](#) [3SMBJ5920B-TP](#) [3SMBJ5925B-TP](#) [TDZTR24](#) [441774C](#) [MMSZ4678-TP](#) [MMSZ5232BQ-13-F](#)
[BZG04-36](#) [BZG05C9V1-HE3-TR](#) [HZM30NBTR-E](#) [UDZTE-175.1B](#) [3SMAJ5945B-TP](#) [3SMAJ5947B-TP](#) [3SMBJ5941B-TP](#) [DL4746A-TP](#)
[RKZ18B2KK#R1](#) [RKZ10B2KL#R1](#) [RKZ6.8B2KL#R1](#) [RKZ8.2B2KL#R1](#) [DZ2S240M0L](#) [SMAZ27-TP](#) [SMBZ5920B-E3/52](#) [ZMM3.0](#)
[RD16UM-T1-A](#) [RD39S-T1-A](#) [RD9.1S-T1-A](#) [RD10S-T1-A](#) [RD20S-T1-A](#) [RD2.2S-T1-A](#) [RD2.7UM-T1-A](#) [HZM24NB1TL-E](#)