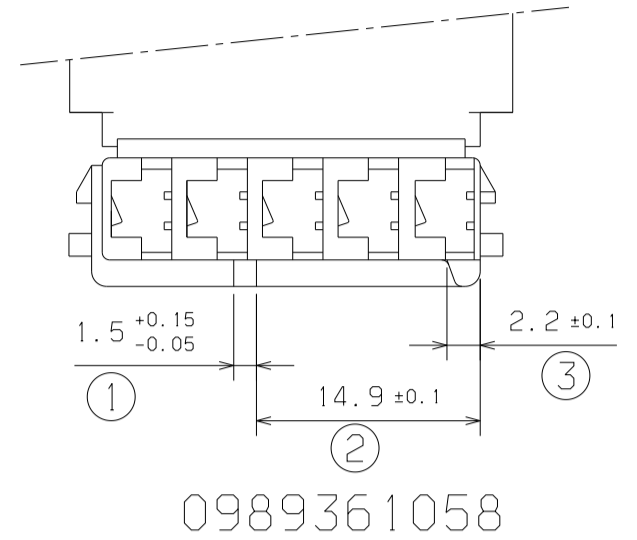
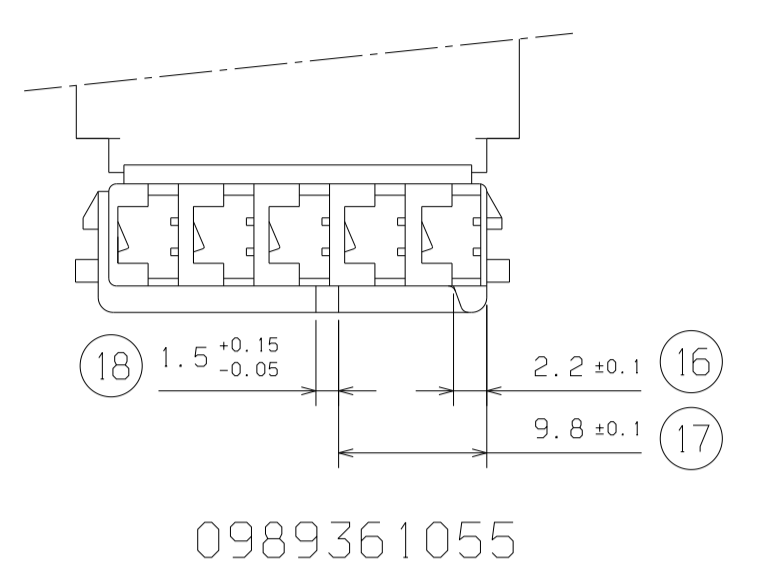
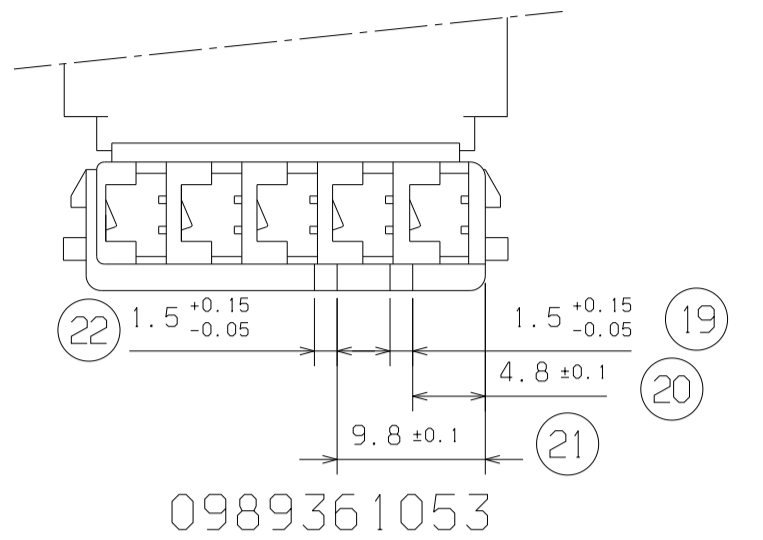
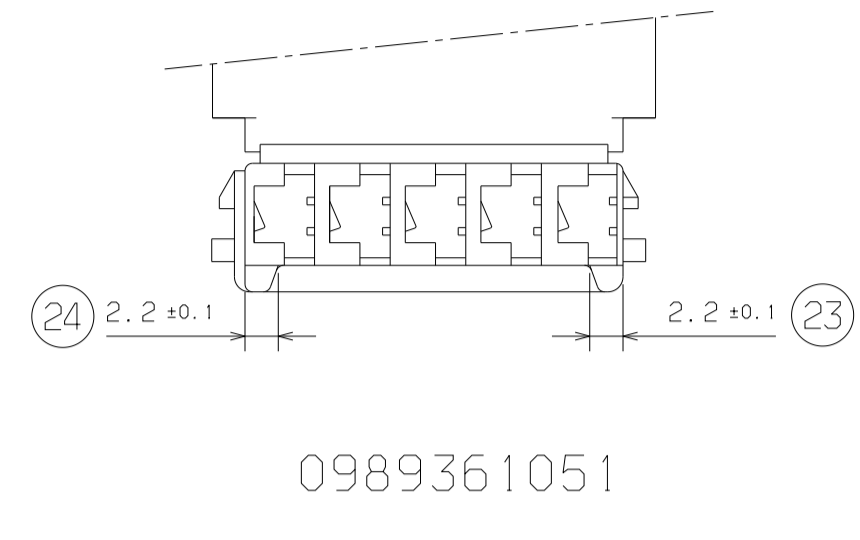
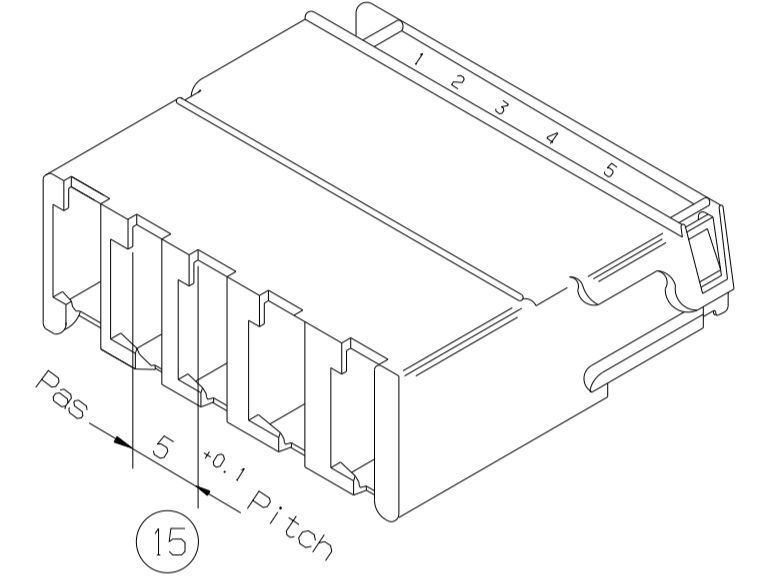
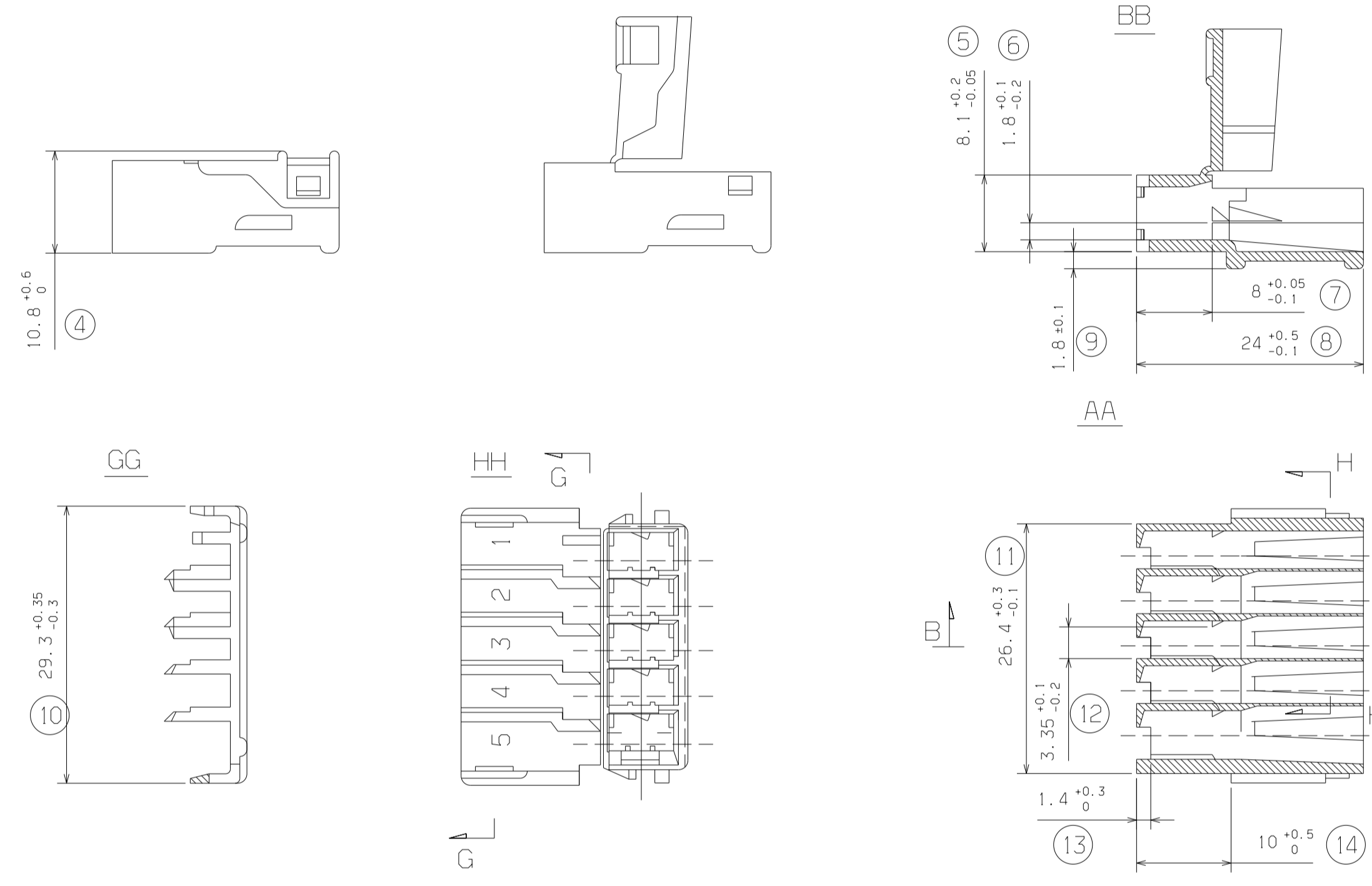


FROM DRAWING P/N 417-2... IND.P 95/06/08
 P1 CHANGE PART NUMBERS, SUPPLIER LOGO AND DRAWING FRAME 05/09/23
 P2 CHANGE P/N 0989361050 to 0989361074 2012/11/21
 P3 UPDATE MODEL MANAGER FOR PDF 2012/11/29
 O REVIEWED



Gris	0989361058	Grey	PA 6.6
Vert	0989361055	Green	
Orange	0989361053	Orange	
Noir	0989361051	Black	
Couleur	Référence	Color	

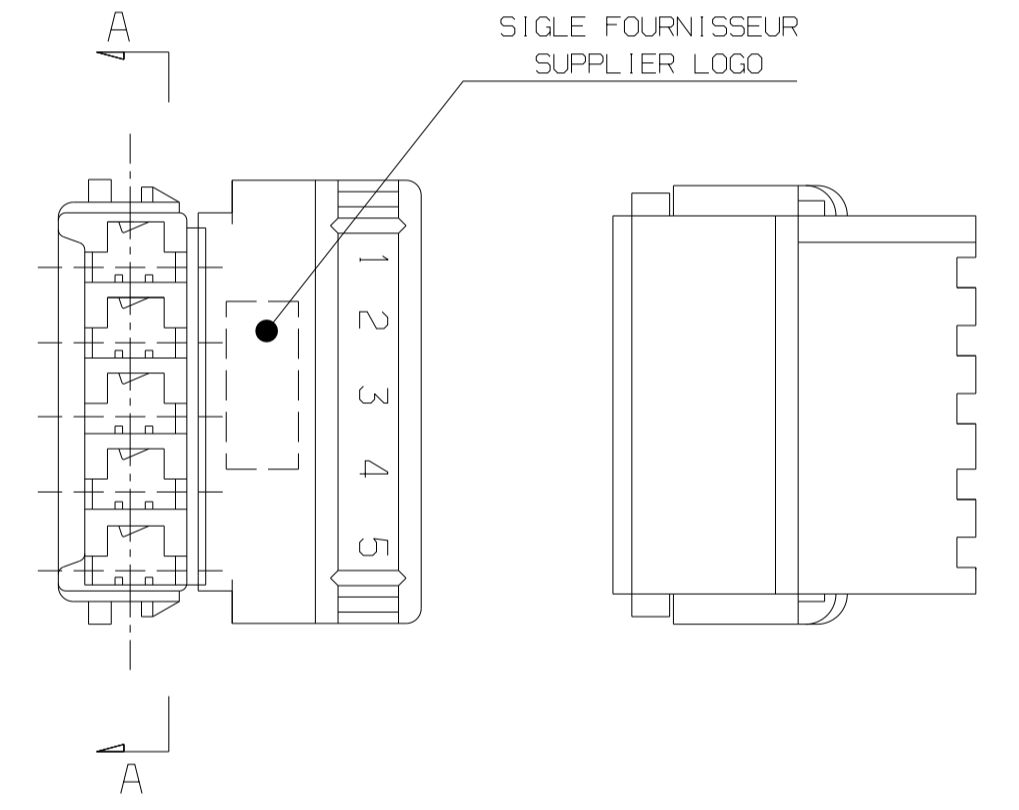


Connexions à employer :
 Use terminals :

0988951011
0988952011
0988951012
0988952012
0988951013
0988952013
0988951014
0988952014

CAPACITY OF CAVITIES CAPACITE DES ALVEOLES		
CRIMP SERTISSAGE	for wire size conducteur section en mm ²	insulation isolant Ø ext.en mm
single wire sur fil unitaire	3 ² maxi	4 maxi
coupled wires	1 ² + 1.4 ²	2.7 max+3 max
sur fils jumelés	0.6 ² + 2 ²	2.4 max+3.2 max

NOTA
NOTE
 Cotes à contrôler sur pièces en état stabilisé à 2.5% ± 0.5% de teneur en eau.
 Measurements to check on parts in a stabilized state of 2.5% ± 0.5% of water absorption.



ENTER DESCRIPTION EC NO: G2015-0078 DRAWN: TEBADAROUX 2014/11/28 CH: KD: JOLUOS 2014/11/28 APPR: OFLESSIS 2014/11/28	QUALITY SYMBOLS ▽=0 ◁=0	GENERAL TOLERANCES (UNLESS SPECIFIED)		DIMENSION STYLE MM ONLY		SCALE 2:1	DESIGN UNITS METRIC	FIRST ANGLE PROJECTION
		4 PLACES ± 3 PLACES ± 2 PLACES ± 1 PLACE ±	mm INCH ± ± ± ± ± ±	DRAWN BY HE	DATE 81/10/16	TITLE CSP5 Rcpt Hsq W/Cap PA 50kt		
DRAFT WHERE APPLICABLE MUST REMAIN WITHIN DIMENSIONS	SEE CHART	MATERIAL NO. SD-98936-001		MOLEX INCORPORATED		SHEET NO. 1 OF 1		THIS DRAWING CONTAINS INFORMATION THAT IS PROPRIETARY TO MOLEX INCORPORATED AND SHOULD NOT BE USED WITHOUT WRITTEN PERMISSION

X-ON Electronics

Largest Supplier of Electrical and Electronic Components

Click to view similar products for [Automotive Connectors](#) category:

Click to view products by [Molex](#) manufacturer:

Other Similar products are found below :

[003-018-000](#) [600858](#) [60403001](#) [60993906-B](#) [60993913-B](#) [629515004020001](#) [M902-2131](#) [M902-2161](#) [M902-2344](#) [72.330.1035.1](#)
[73.353.4028.0](#) [F118010](#) [F119300-B](#) [F132210](#) [F132210-B](#) [F166900](#) [F180100](#) [F258300](#) [F258300-B](#) [F294300-B](#) [F339100](#) [F339700](#) [F358300-](#)
[B](#) [F374110](#) [F407400](#) [F412210](#) [F427600](#) [F444110](#) [F487000](#) [F495100-B](#) [F500900-B](#) [F509500B-B](#) [770444-1](#) [776880-1](#) [827153-1](#) [881735-1](#)
[8N1515-32-24P](#) [9-1326727-8](#) [9-1326729-8](#) [925467-1](#) [925474-1](#) [928905-1](#) [936398-2](#) [964562-1](#) [964562-4](#) [964731-2](#) [965051-1](#) [968782-1](#)
[GT17SA-8DS-HU](#) [GT17VS-10DP-5.2CF](#)