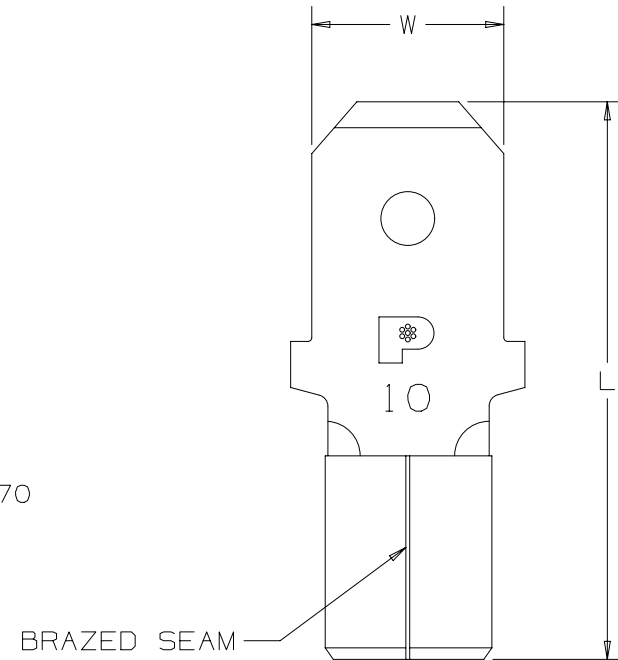


THIS COPY IS PROVIDED ON A RESTRICTED BASIS AND IS NOT TO BE USED IN ANY WAY DETRIMENTAL TO THE INTERESTS OF PANDUIT CORP.

PANDUIT PART #	WIRE RANGE AWG [ mm² ]	TAB SIZE INCH [ mm ]	DIMENSIONS in. [ mm ]	
			L ± .03 [ 0,8 ]	W ± .01 [ 0,3 ]
ED10-250M	#12-10 [ 4,0-6,0 ]	.250 X .032 [ 6,3 X 0,8 ]	.72 [ 18,3 ]	.25 [ 6,3 ]

NOTES:

- USED FOR:
  - STRANDED COPPER WIRE ONLY
  - 302°F [150°C] MAX OPERATING TEMPERATURE
  - 2000V MAX VOLTAGE
- MATERIAL:
  - STAMPING: .032" (.81) THICK NICKEL PLATED COPPER
- INSTALLATION TOOLS: CT-100A, CT-200, CT-260, CT-570, CT-1570
- WIRE STRIP LENGTH: 9/32" <sup>+1/32</sup><sub>-0</sub> [7,1mm <sup>+0,8</sup><sub>-0</sub>]
- SEE WWW.PANDUIT.COM FOR PACKAGE QUANTITIES INDICATED BY PART NUMBER SUFFIX
- DIMENSIONS IN BRACKETS ARE METRIC EQUIVALENT



B

B



A

A

D10100DA/20

00	2/18	JHNU	TMR	RGB	RELEASED	00123SH	
REV	DATE	BY	CHK	APR	DESCRIPTION	ECN	

<b>STRONGHOLD MALE DISCONNECT (250 SERIES) NON-INSULATED, BRAZED SEAM #12-10 AWG</b>					
CUSTOMER DRAWING					
ITEM REVISION NAME <b>00123SHW/00</b>				<b>PANDUIT</b>	
DATASET FILE NAME <b>00123SHW/00</b>					
UNLESS OTHERWISE SPECIFIED, DIMENSIONAL TOLERANCES ARE: IN [ mm ] .x ± .1 [ 2.54 ]      .xxx ± .005 [ .127 ] .xx ± .01 [ .25 ]      ANGLES ± 5 °					
DRAWING NUMBER: <b>SH41546</b>				MATERIAL: <b>SEE NOTES</b>	
DRAWN BY <b>JHNU</b>		DATE <b>2/18</b>		THIRD ANGLE PROJECTION	
CHK <b>TMR</b>		SCALE <b>NTS</b>		DRAWING NUMBER: <b>SHT 1 OF 1</b>	
SIZE <b>A</b>					

## X-ON Electronics

Largest Supplier of Electrical and Electronic Components

*Click to view similar products for [Terminals](#) category:*

*Click to view products by [Panduit](#) manufacturer:*

Other Similar products are found below :

[HT-13-10](#) [71M-250-32-NB](#) [01-2065-1-0216](#) [00581P0075](#) [M10-10RX](#) [M10BCK](#) [60205-1](#) [604200-1](#) [60598-1-CUT-TAPE](#) [60617-1-C](#) [60873-1](#) [M14-516R/SK](#) [M14-6RSX](#) [M18-10FLX](#) [M18-8FBX](#) [M18-8R/LX](#) [M18BCK](#) [61314-6-C](#) [61-S](#) [61-SN-A](#) [62-NBM-A](#) [63-S](#) [640179-1](#) [640917-2-CUT-TAPE](#) [6501550002](#) [66107-2-C](#) [696683-1](#) [696834-1](#) [696861-1](#) [696931-1](#) [696999-1](#) [M8-516RK](#) [M86700006](#) [MA250DMFMX-A](#) [701-2007](#) [701-2307](#) [701-7761-03](#) [70F-110-32-PB](#) [718-N-A](#) [71M-187-20-NBL](#) [71M-250-32-NBL](#) [72F-187-20-NBL](#) [72M-250-32-NBL](#) [7310](#) [73F-250-32](#) [73F-250-32-NBL](#) [73F-250-32-NL](#) [F14-10C](#) [F-1M](#) [751-250](#)