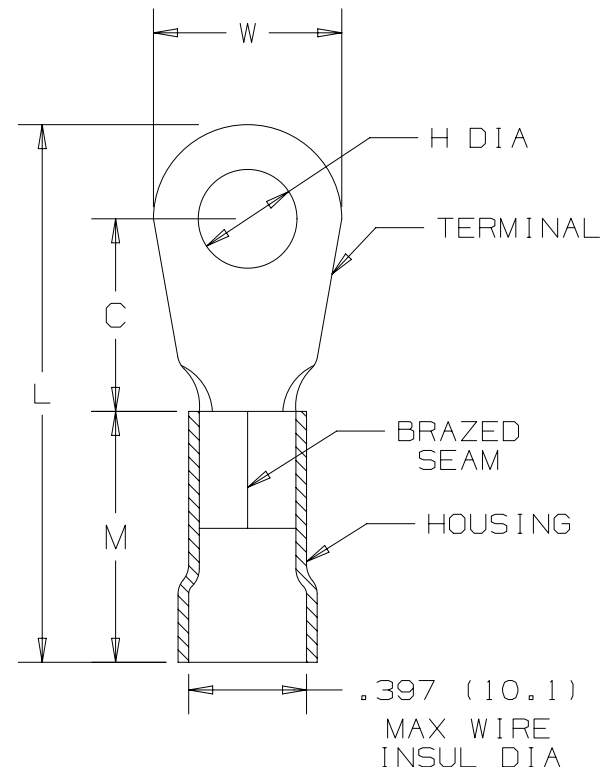


THIS COPY IS PROVIDED ON A RESTRICTED BASIS AND IS NOT TO BE USED IN ANY WAY DETRIMENTAL TO THE INTERESTS OF PANDUIT CORP.

PANDUIT PART NUMBER	STUD SIZE		DIMENSIONS - in. [mm]					TOOLS
	ENGLISH	METRIC	L± [1,6] ±.06	W± [0,3] ±.01	C± [0,3] ±.01	M± [0,9] ±.04	H +0,4 -0	
EV6-10R	#10	M5	1.65 (41.8)	.47 (12.0)	.52 (13.3)	0.89 (22.5)	.21 (5.3)	KST-HDC38A
EV6-56R	5/16"	M8	1.76 (44.7)	.63 (16.0)	.56 (14.2)	.89 (22.5)	.33 (8.4)	
EV6-38R	3/8"	M10	1.76 (44.7)	.63 (16.0)	.56 (14.2)	.89 (22.5)	.41 (10.5)	
EV6-12R	1/2"	M12	2.10 (53.3)	.87 (22.0)	.78 (19.8)	.89 (22.5)	.51 (13.0)	



NOTES:

- UL LISTED FOR:
 - A. #6 AWG [14mm²] STRANDED COPPER WIRE
 - B. 221°F (105°C) MAX TEMP RATING
 - C. 600V MAX VOLTAGE RATING
- MATERIAL:
 - A. STAMPING - .059" (1.5) THICK COPPER, TIN PLATED
 - B. HOUSING - VINYL, BLUE
- WIRE STRIP LENGTH: 9/16" ^{+1/32}/₋₀ [14mm ^{+0.8}/₋₀]
- SEE WWW.PANDUIT.COM FOR PACKAGE QUANTITIES
- DIMENSIONS IN BRACKETS ARE METRIC EQUIVALENT



LISTED
20U0
E52164



A

A

9174DDA/16

00	2/18	JHNU	TMR	RGB	DRAWING RELEASED			00123SS
REV	DATE	BY	CHK	APR	DESCRIPTION			ECN

TITLE
**STRONGHOLD RING TERMINAL
VINYL INSULATED, BRAZED SEAM #6 AWG [14mm²]**
CUSTOMER DRAWING

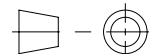
ITEM REVISION NAME: 00123SSA/00
DATASET FILE NAME: 00123SSA/00



UNLESS OTHERWISE SPECIFIED, DIMENSIONAL TOLERANCES ARE: IN [mm]

MATERIAL: SEE NOTES

.X ± .XXX ±
.XX ± ANGLES ±



THIRD ANGLE PROJECTION

DRAWING NUMBER: 00123SSA-DC

DRAWN BY: JHNU	DATE: 2/18	CHK: TMR	SCALE: NONE	SHT 1 OF 1	SIZE: A
----------------	------------	----------	-------------	------------	---------

X-ON Electronics

Largest Supplier of Electrical and Electronic Components

Click to view similar products for [Terminals](#) category:

Click to view products by [Panduit](#) manufacturer:

Other Similar products are found below :

[HT-13-10](#) [71M-250-32-NB](#) [01-2065-1-0216](#) [00581P0075](#) [M10-10RX](#) [M10BCK](#) [60205-1](#) [604200-1](#) [60598-1-CUT-TAPE](#) [60617-1-C](#) [60873-1](#) [M14-516R/SK](#) [M14-6RSX](#) [M18-10FLX](#) [M18-8FBX](#) [M18-8R/LX](#) [M18BCK](#) [61314-6-C](#) [61-S](#) [61-SN-A](#) [62-NBM-A](#) [63-S](#) [640179-1](#) [640917-2-CUT-TAPE](#) [6501550002](#) [66107-2-C](#) [696683-1](#) [696834-1](#) [696861-1](#) [696931-1](#) [696999-1](#) [M8-516RK](#) [M86700006](#) [MA250DMFMX-A](#) [701-2007](#) [701-2307](#) [701-7761-03](#) [70F-110-32-PB](#) [718-N-A](#) [71M-187-20-NBL](#) [71M-250-32-NBL](#) [72F-187-20-NBL](#) [72M-250-32-NBL](#) [7310](#) [73F-250-32](#) [73F-250-32-NBL](#) [73F-250-32-NL](#) [F14-10C](#) [F-1M](#) [751-250](#)