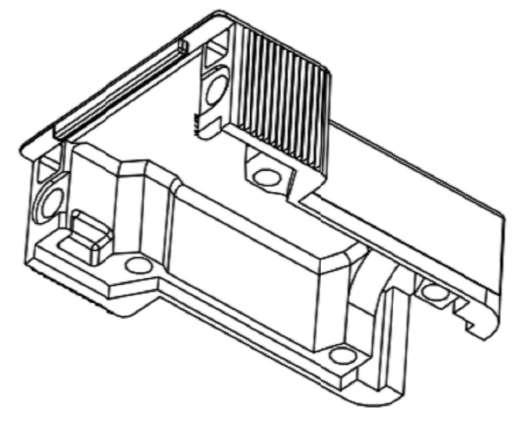
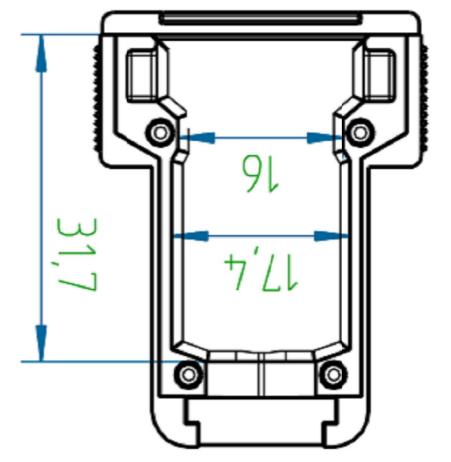
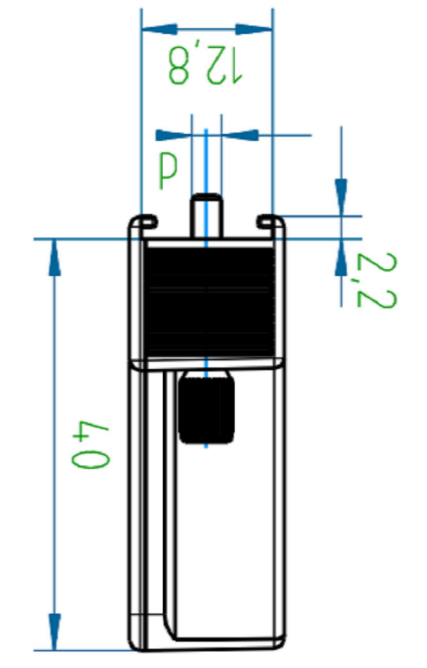
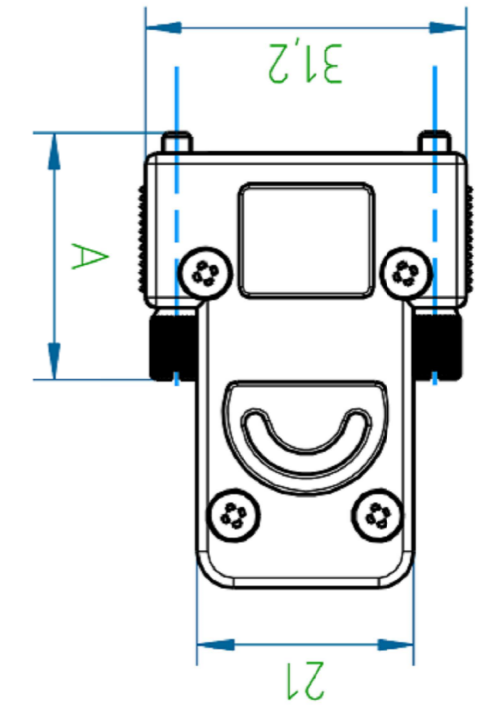
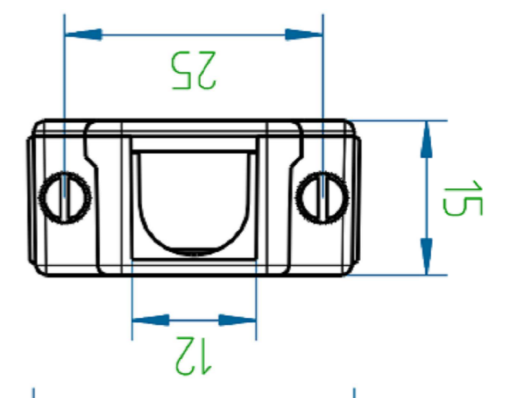


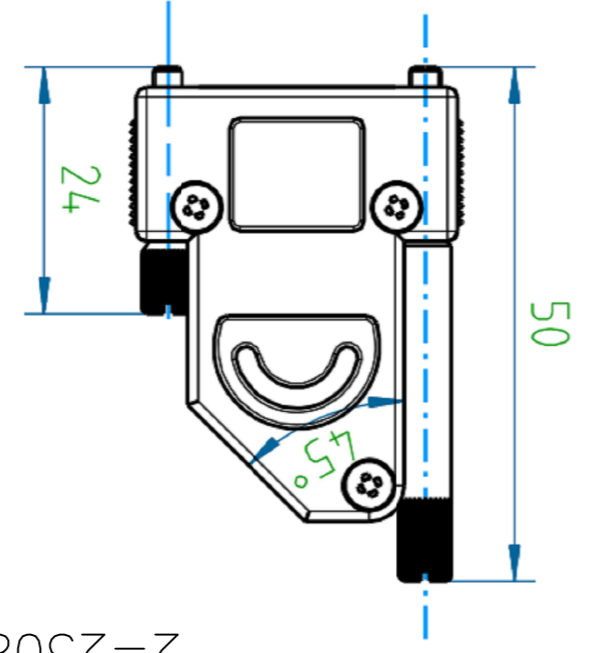
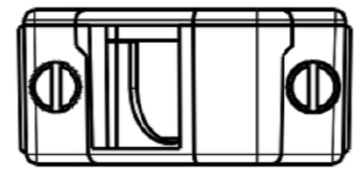
- NOTES:
1. FINISH:  
1-2308340-1 TO 2-2308340-2 - CASE RAW.  
2-2308340-3 TO 3-2308340-4 - CASE NICKEL-PLATED.
  2. LOCKING SCREWS: NICKEL-PLATED
  3. OTHER SCREWS: ZINC-PLATED
  4. CABLE DIAMETER WITH EXTERNAL DIAMETER CABLE CLAMP: 4-14 mm.
  5. STRAND DIAMETER OF CRIMP FLANGE: 2.7-8.7 mm.



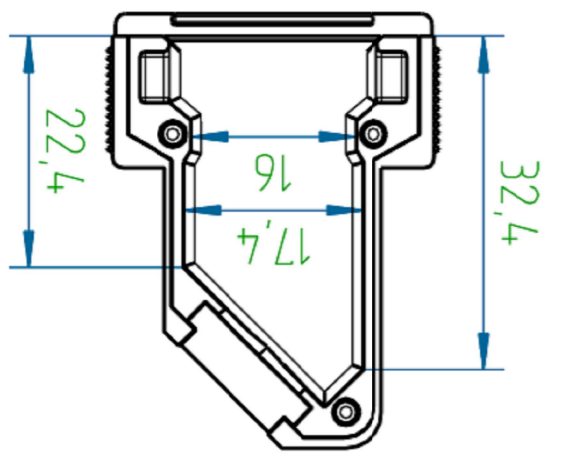
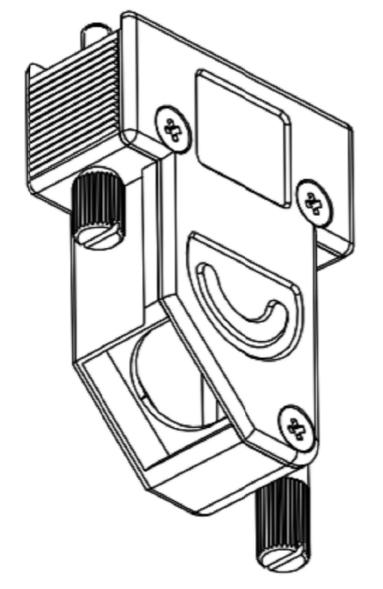
Case



1-2308340-3



2-2308340-1



Case

THIS DRAWING IS A CONTROLLED DOCUMENT.

DMN	02AUG2016	KIRAN K	CHK	02AUG2016	GUNASEKHAR G	APVD	02AUG2016	GUNASEKHAR G	NAME	02AUG2016
TOLERANCES UNLESS OTHERWISE SPECIFIED: DIN ISO 2768-m DIN 16901 130B										
DIMENSIONS: mm										
MATERIAL: -										
FINISH: -										
ANGLES: 4 PLC ± - - 3 PLC ± - - 2 PLC ± - - 1 PLC ± - - 0 PLC ± - -										
WEIGHT: -										
APPLICATION SPEC: -										
PRODUCT SPEC: -										
APPLICATOR: -										
DRAWING NO: 2308340										
SCALE: NTS										
SHEET: 1 of 2										
REV: A1										

STE  
TE Connectivity  
FULL METAL HOODS SIZE 1

PROJECT	PRJ-16-000909157
PART NO.	X-2308340-X
DESCRIPTION	FULL METAL HOODS SIZE 1
CUSTOMER	GENERAL MARKET

REVISIONS	
P	LTR
DESCRIPTION	DATE
DMN	APVD
REVISED PER ECR-16-013123	
A1	19SEP2016
KK	GG

2308340



## X-ON Electronics

Largest Supplier of Electrical and Electronic Components

*Click to view similar products for [D-Sub Backshells](#) category:*

*Click to view products by [TE Connectivity](#) manufacturer:*

Other Similar products are found below :

[173114-0084](#) [173112-1658](#) [600X51137X](#) [600X54009X](#) [66241-12A](#) [M85049/48-1-2](#) [M85049/48-3-5F](#) [M85049/6-38N](#) [M85049/86-12N03](#)  
[70.350.0636.4](#) [70.350.2435.1](#) [72.350.1035.2](#) [72.352.2435.1](#) [73.359.4035.3](#) [799-015TMH07M](#) [799-015TMH08N](#) [FKH1RE](#) [829472-1](#) [F-](#)  
[PHG-1E](#) [F-PHG-3E](#) [F-PHG-4E](#) [F-PHR-4E](#) [PCS-E20W](#) [8655MHRA0901KLF](#) [8655MHRA2501KLF](#) [958-009-010R011](#) [970-015-040R011](#)  
[970-025-030R121](#) [970-025-040R011](#) [971-009-030R121](#) [971-009-040R011](#) [971-015-040R011](#) [971-025-040R011](#) [GS85049/38-25M](#) [975T009-](#)  
[020R121](#) [975T015-020R121](#) [1-21986-2](#) [1-21986-5](#) [DB-20962](#) [DE-C8-J9-F4-1R](#) [DE-C8-J9-F5-1R](#) [DPH-B-003](#) [1437013-9](#) [1484402-8](#)  
[MS3057-10A](#) [156-3025-EX](#) [MS3417-16C](#) [16-500800](#) [165X02659X](#) [165X03329A](#)