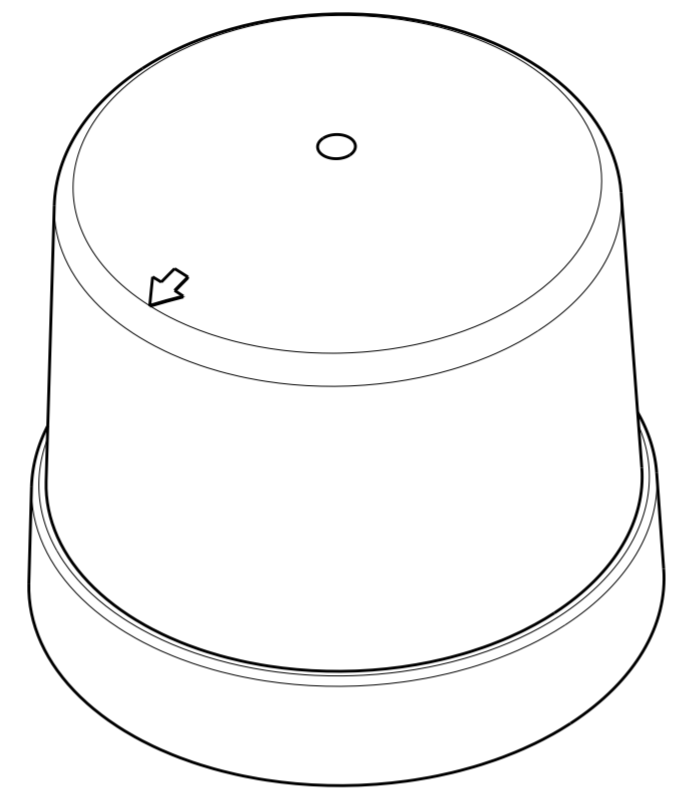
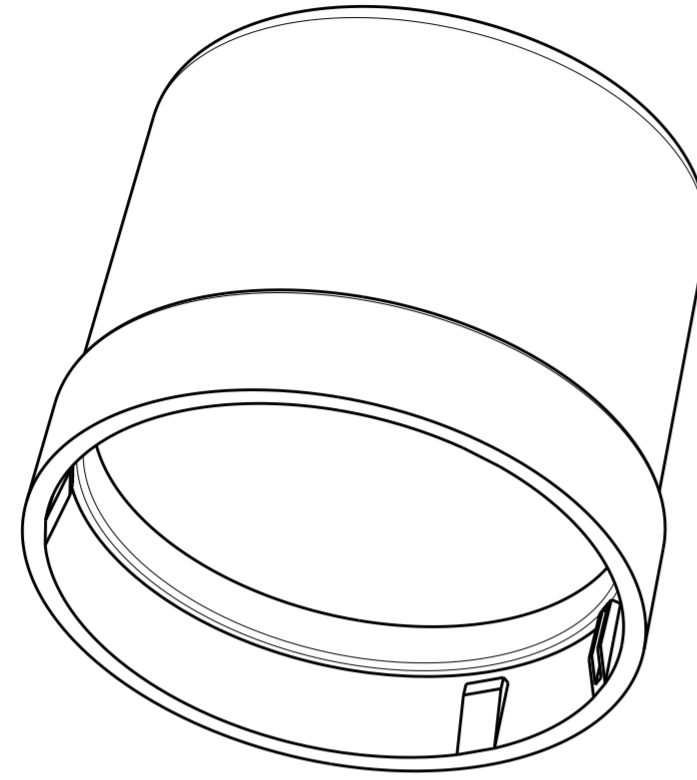


THIS DRAWING IS UNPUBLISHED. RELEASED FOR PUBLICATION 20
 © COPYRIGHT 20 BY - ALL RIGHTS RESERVED.

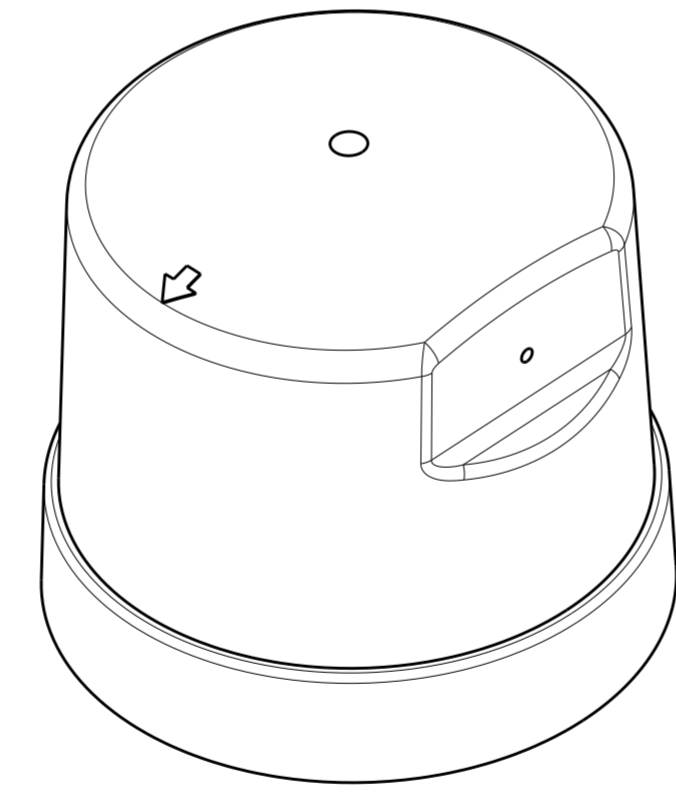
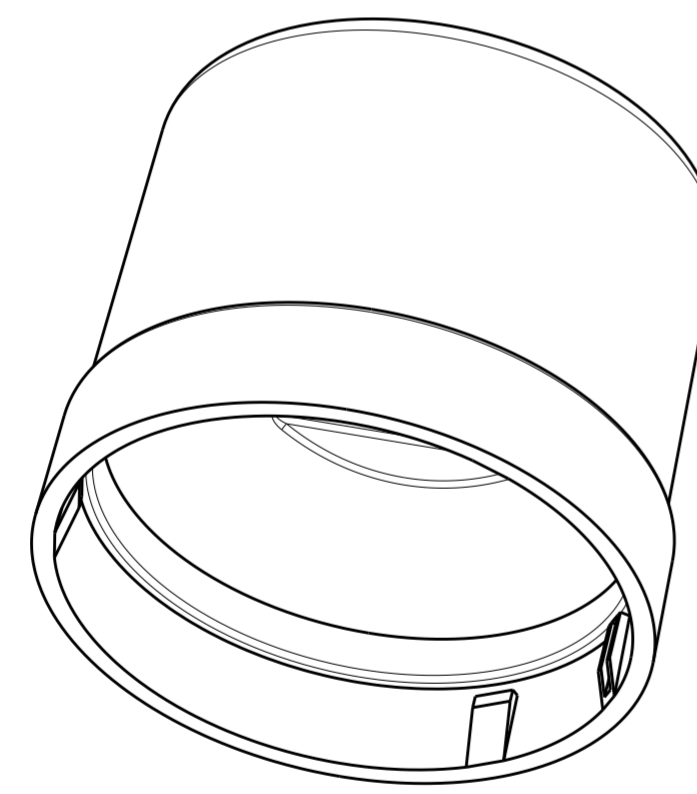
REVISIONS				
P	LTR	DESCRIPTION	DATE	APVD
	A	REVISED PER ECO-18-002788	07MAR2018	SM DD



2311664-1 AND 1-2311664-1

NOTES:

- ⚠ MATERIALS:
HOUSING: POLYCARBONATE, UV 5VA RATED
COLOR: SEE TABLE
- ⚠ MATING BASE TE P/N: 2213730-X



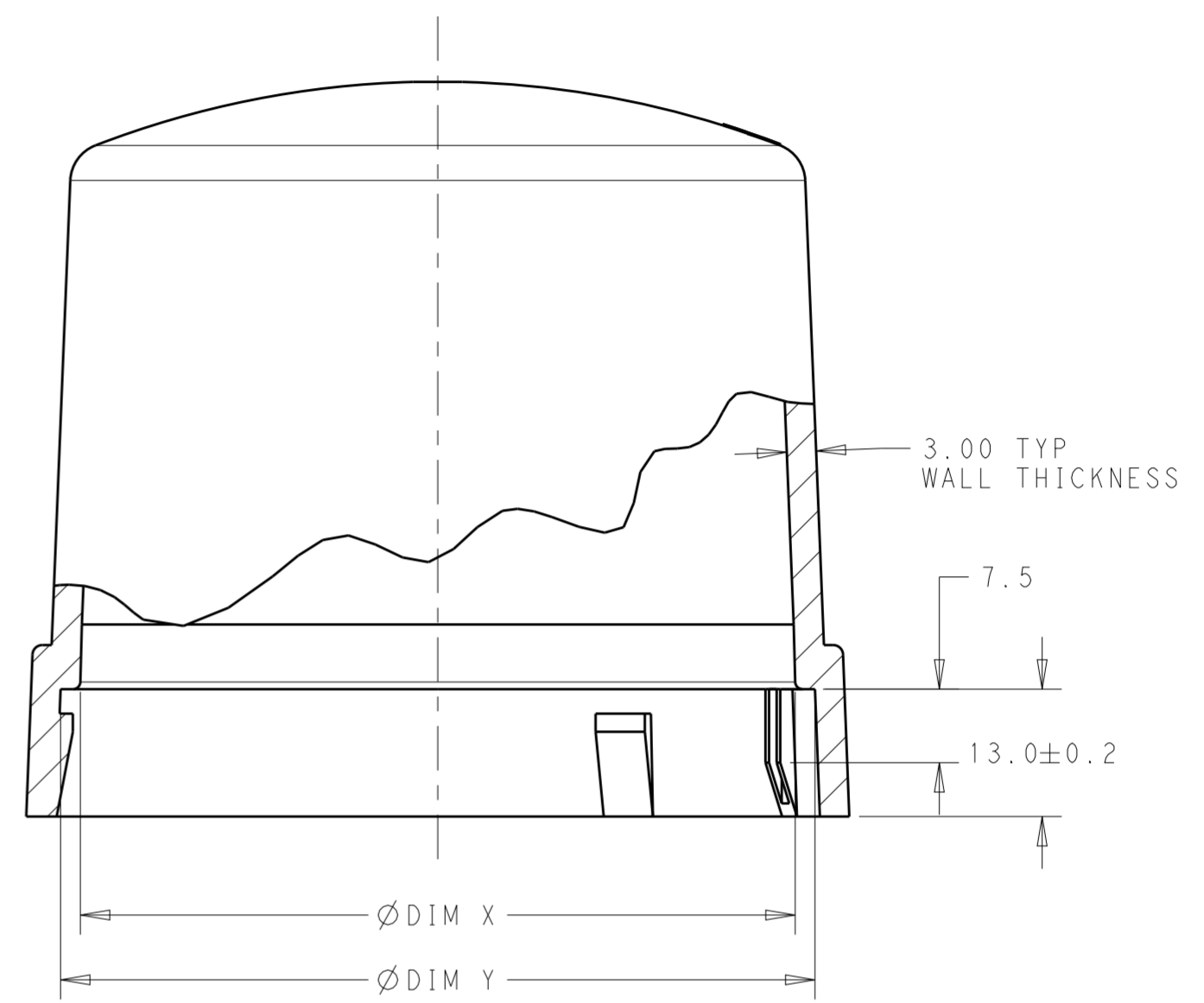
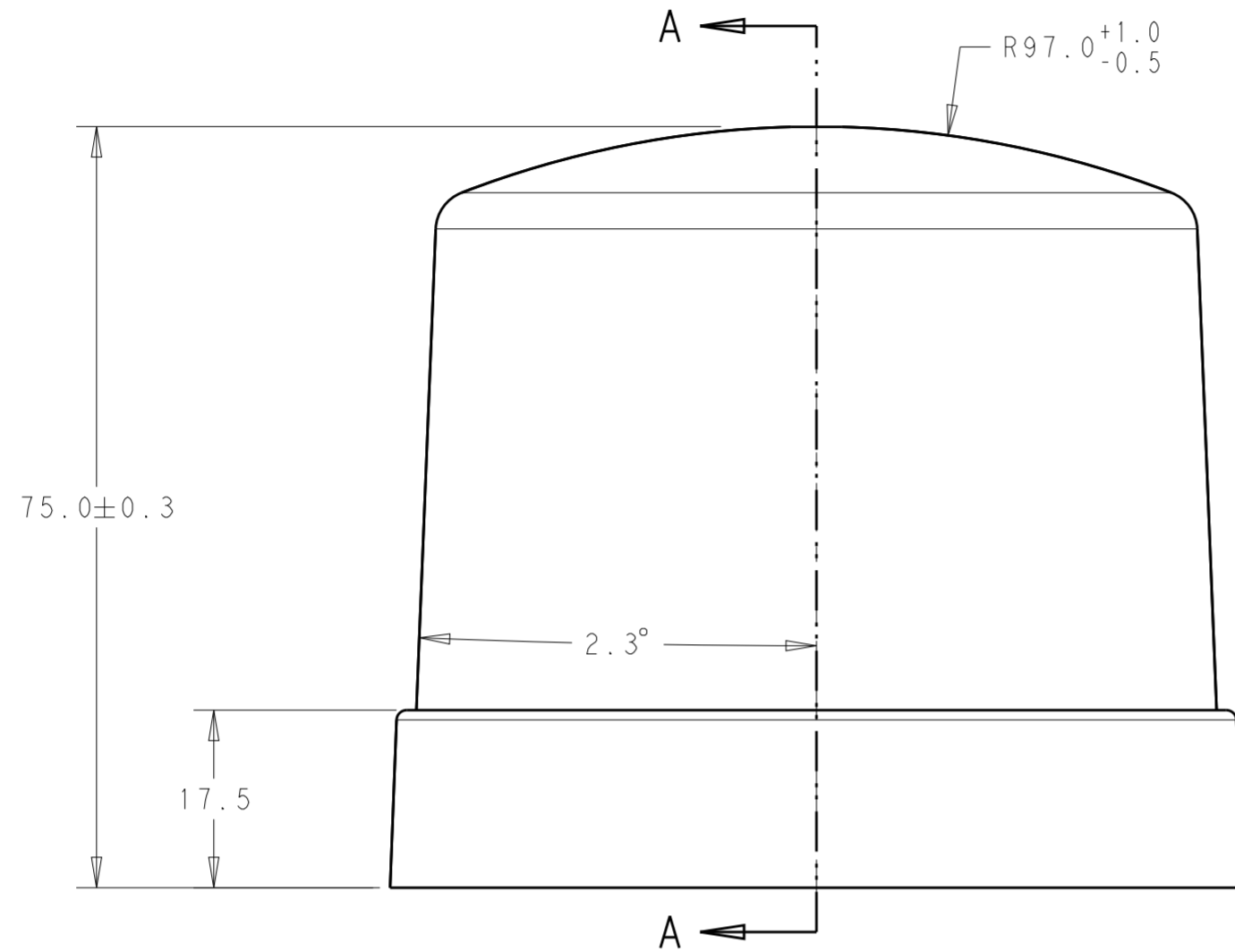
2-2311664-1 AND 3-2311664-1

APPROX LIGHT TRANSMISSION	COLOR	DIM Y	DIM X	PART NO.
78%	TRANSPARENT CLEAR	Ø 77.0	Ø 73.0	3-2311664-1
24%	TRANSLUCENT SMOKE	Ø 77.0	Ø 73.0	2-2311664-1
78%	TRANSPARENT CLEAR	Ø 77.0	Ø 73.0	1-2311664-1
24%	TRANSLUCENT SMOKE	Ø 77.0	Ø 73.0	2311664-1

THIS DRAWING IS A CONTROLLED DOCUMENT.		DWN C. DAILY 31OCT2016	TE Connectivity	
		CHK E. HOWARD 31OCT2016		
DIMENSIONS: mm		APVD -	NAME COVER, LIGHT CONTROLLER 76mm DIA, 75mm TALL	
TOLERANCES UNLESS OTHERWISE SPECIFIED: 0 PLC ± 1 PLC ±0.3 2 PLC ±0.25 3 PLC ± 4 PLC ± ANGLES ±3° FINISH		PRODUCT SPEC -	RESTRICTED TO -	
MATERIAL -		APPLICATION SPEC -	SIZE A2	CAGE CODE -
		WEIGHT -	DRAWING NO C-2311664	
		CUSTOMER DRAWING	SCALE 3:2	SHEET 1 OF 3
			REV A	

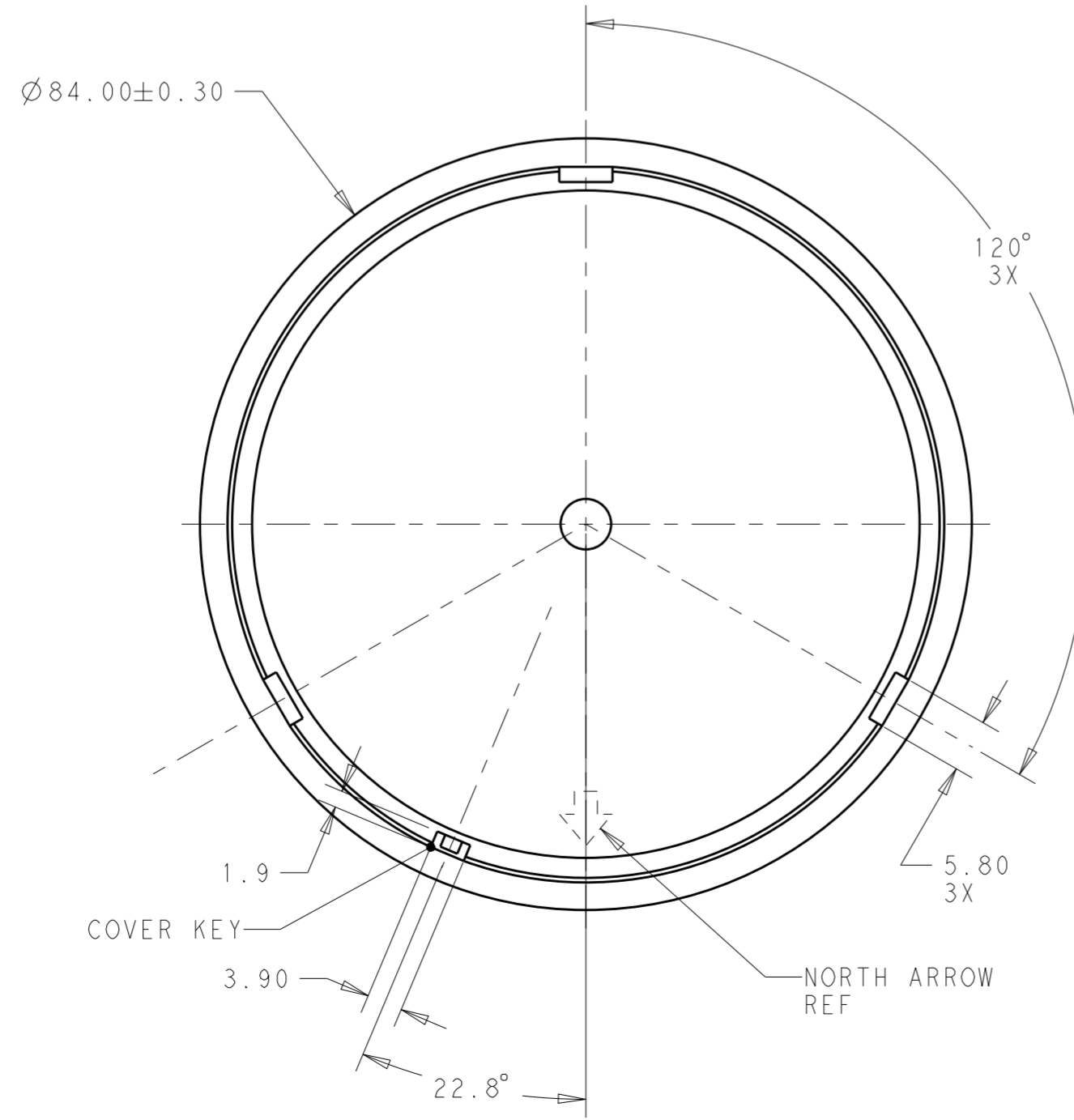
THIS DRAWING IS UNPUBLISHED. RELEASED FOR PUBLICATION 20
 © COPYRIGHT 20 BY - ALL RIGHTS RESERVED.

REVISIONS				
P	LTR	DESCRIPTION	DATE	APVD
-	-	SEE SHEET 1	-	-



SECTION A-A

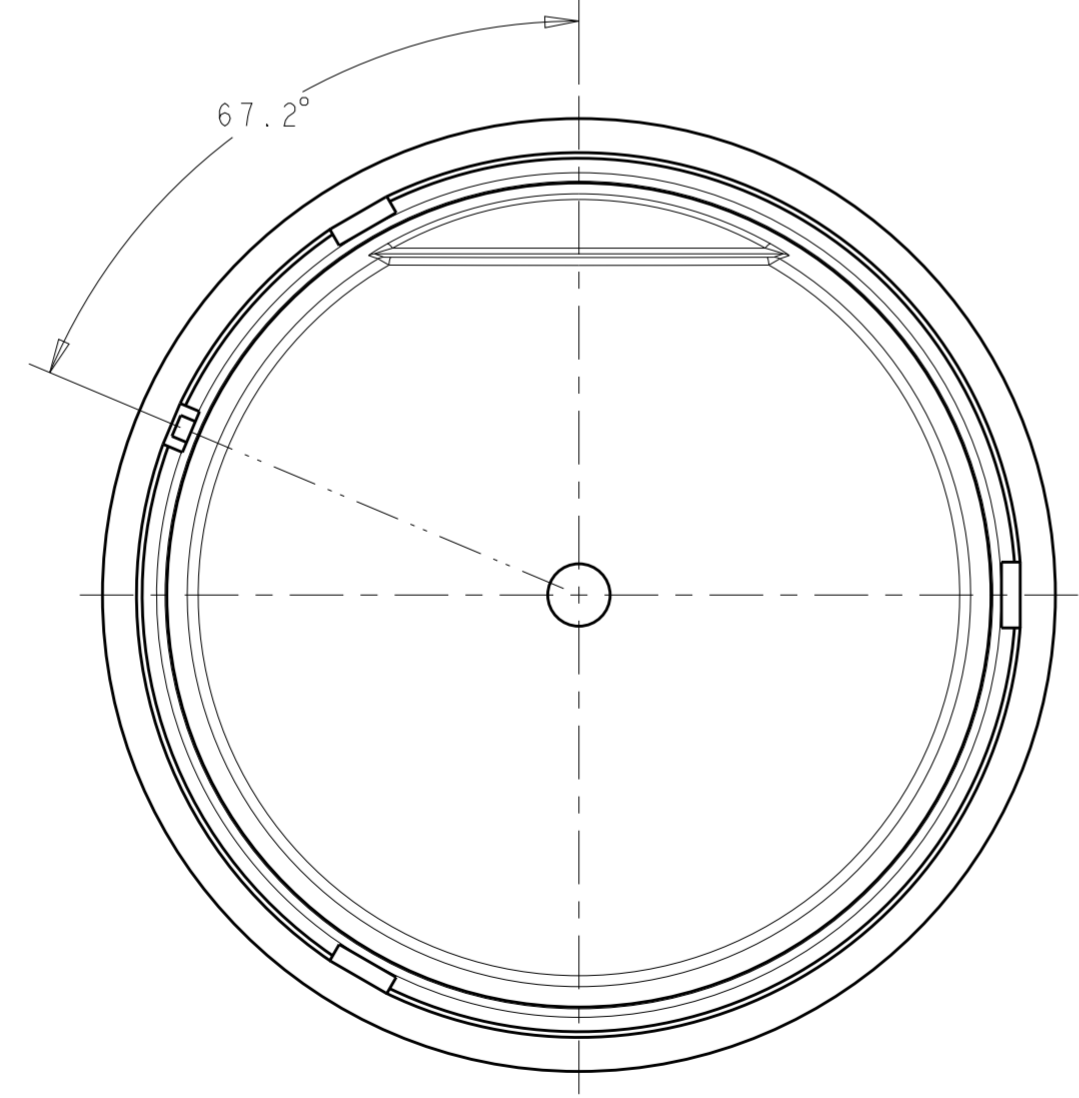
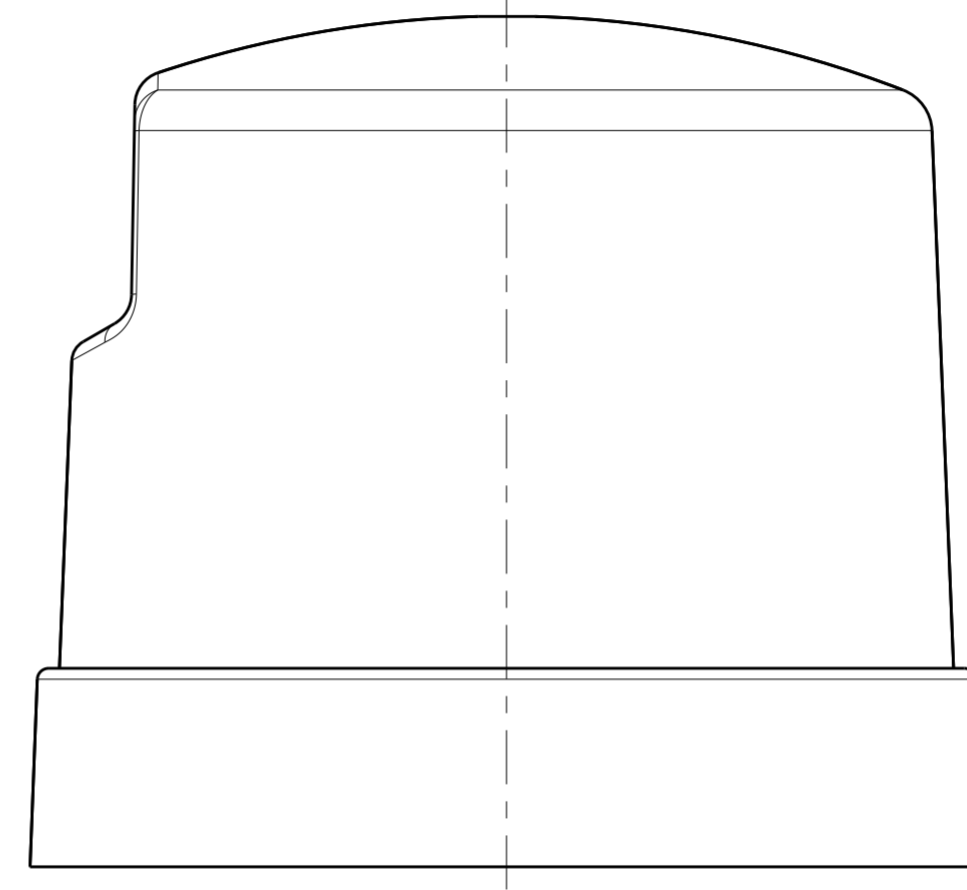
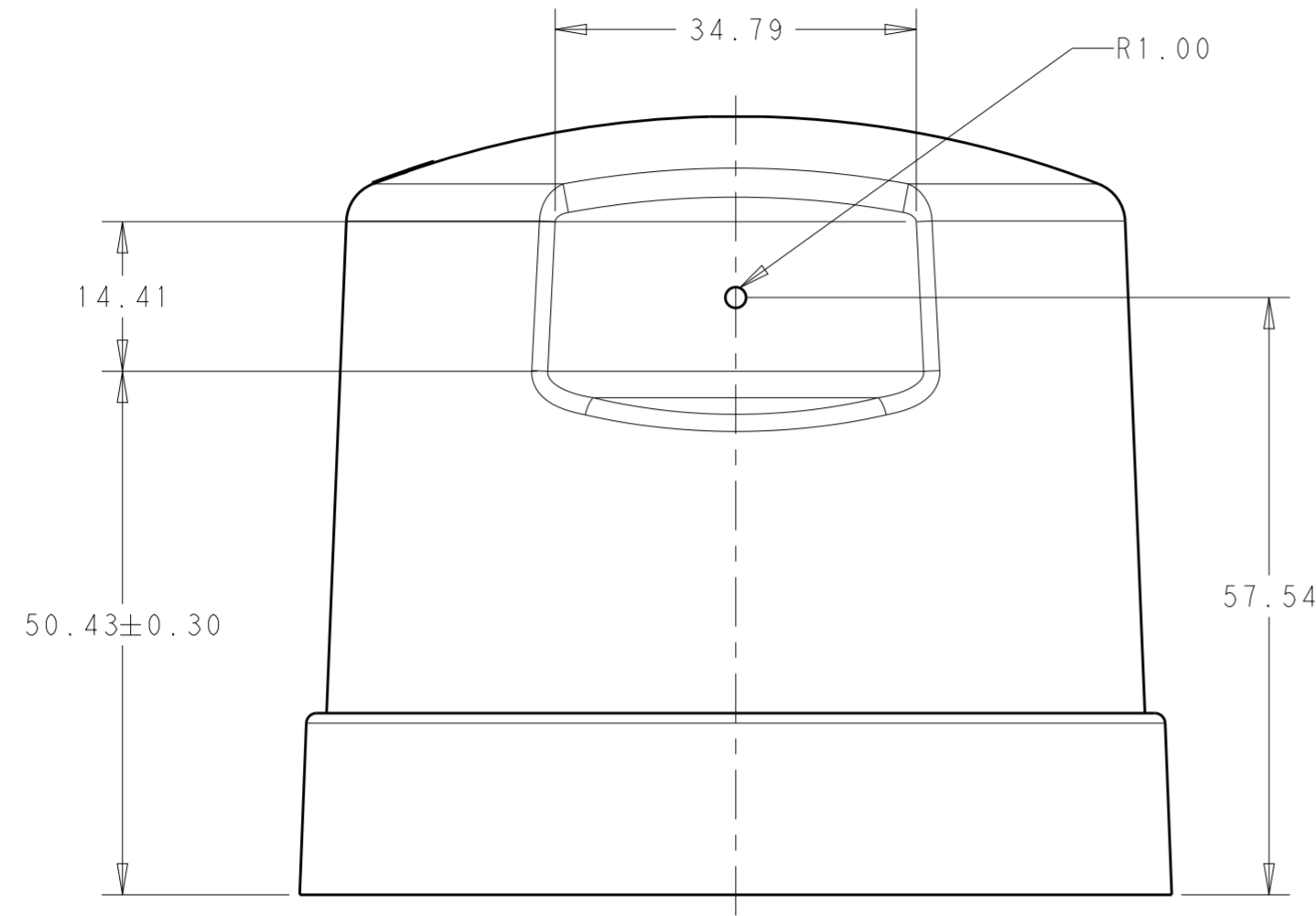
2311664-1 AND 1-2311664-1
 SHOWN



THIS DRAWING IS A CONTROLLED DOCUMENT.		DWN C. DAILY 31OCT2016	TE Connectivity	
		CHK E. HOWARD 31OCT2016		
DIMENSIONS:		APVD -	NAME COVER, LIGHT CONTROLLER 76mm DIA, 75mm TALL	
TOLERANCES UNLESS OTHERWISE SPECIFIED:		PRODUCT SPEC -	SIZE A2	
0 PLC ±		APPLICATION SPEC -	CAGE CODE -	DRAWING NO C-2311664
1 PLC ±0.3		WEIGHT -	RESTRICTED TO -	REV A
2 PLC ±0.25		SCALE 3:2 SHEET 2 OF 3		
3 PLC ±		CUSTOMER DRAWING		
4 PLC ±				
ANGLES ±3°				
FINISH -				

THIS DRAWING IS UNPUBLISHED. RELEASED FOR PUBLICATION 20
 © COPYRIGHT 20 BY - ALL RIGHTS RESERVED.

REVISIONS				
P	LTR	DESCRIPTION	DATE	APVD
-	-	SEE SHEET 1	-	-



2-2311664-1 AND 3-2311664-1
 SAME AS 2311664-1
 EXCEPT AS SHOWN

THIS DRAWING IS A CONTROLLED DOCUMENT.		DWN C. DAILY 31OCT2016	STE TE Connectivity	
		CHK E. HOWARD 31OCT2016		
DIMENSIONS:		APVD -	NAME COVER, LIGHT CONTROLLER 76mm DIA, 75mm TALL	
mm	TOLERANCES UNLESS OTHERWISE SPECIFIED:	PRODUCT SPEC -	SIZE A2	
	0 PLC ±	APPLICATION SPEC -	CAGE CODE -	DRAWING NO C-2311664
	1 PLC ±0.3	WEIGHT -	RESTRICTED TO -	
	2 PLC ±0.25	CUSTOMER DRAWING	SCALE 3:2	SHEET 3 OF 3
	3 PLC ±			REV A
	4 PLC ±			
	ANGLES ±3°			
MATERIAL	FINISH			

X-ON Electronics

Largest Supplier of Electrical and Electronic Components

Click to view similar products for [LED Lighting Fixture Accessories](#) category:

Click to view products by [TE Connectivity](#) manufacturer:

Other Similar products are found below :

[1301120110](#) [1301120137](#) [1301130007](#) [1301120130](#) [1301860719](#) [1301120131](#) [1301120144](#) [1301120196](#) [1-2311664-1](#) [XVBC081](#) [2213871-2](#)
[2306132-1](#) [2213805-1](#) [1-2306133-1](#) [2702527](#) [2315539-1](#) [1-2306132-1](#) [2213871-1](#) [1-2306128-1](#) [2306128-1](#) [2213996-1](#) [1-2306129-1](#) [1-](#)
[2213871-2](#) [1-2213871-1](#) [2306130-1](#) [2306133-1](#) [1-2315539-1](#) [2306129-1](#) [1-2213805-1](#) [180997-0002](#) [180997-0001](#) [1-2213996-1](#) [4803](#) [4821](#)
[2702312](#) [4772](#) [4773](#) [4774](#) [4775](#) [5012](#) [5014](#) [LEDASM1](#) [LEDAMM](#) [LEDCPS4](#) [SSP-CN2CN](#) [SSP-MTCV1](#) [1301120097](#) [1301120099](#)
[1301120101](#) [1301120174](#)