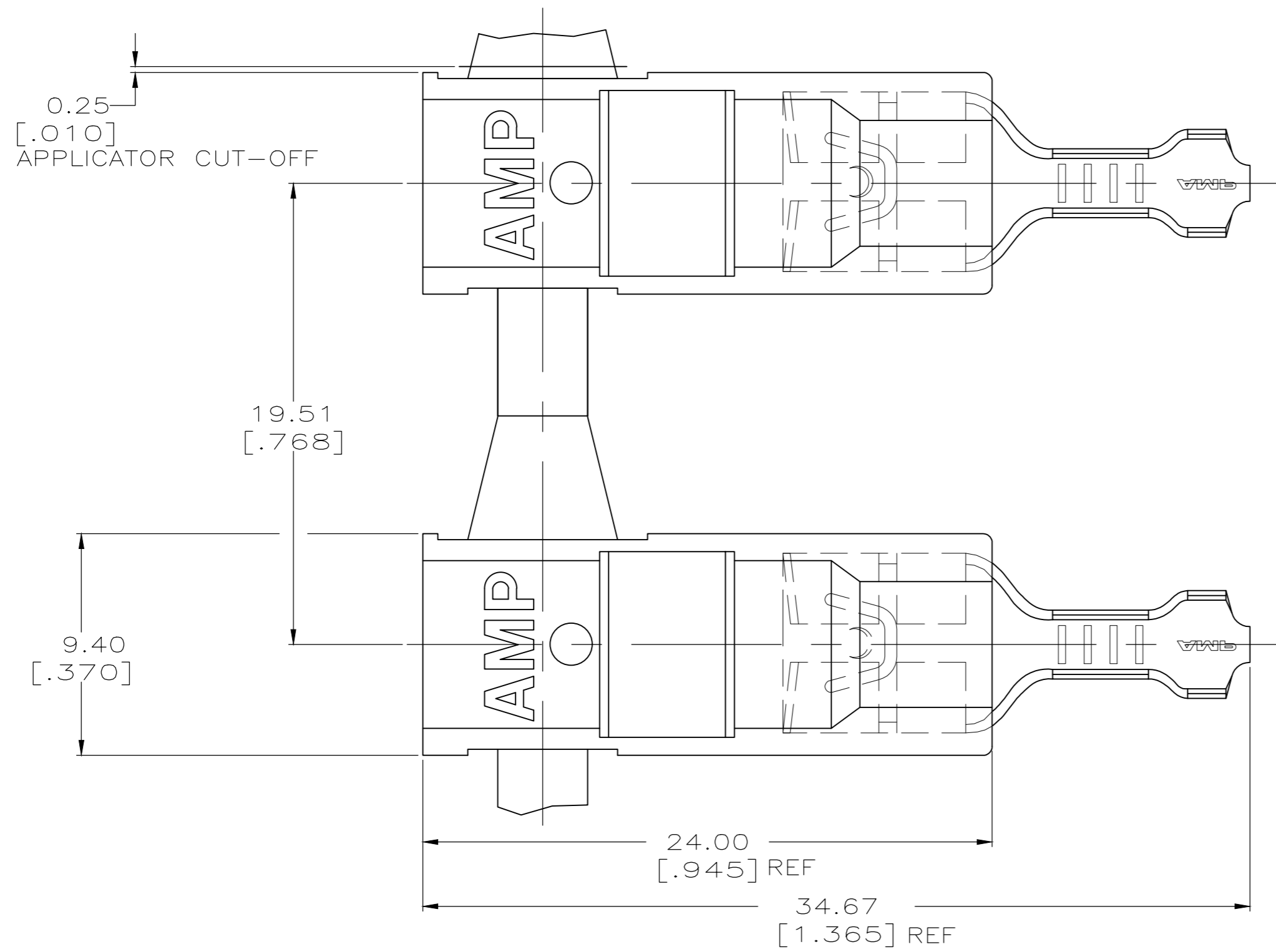
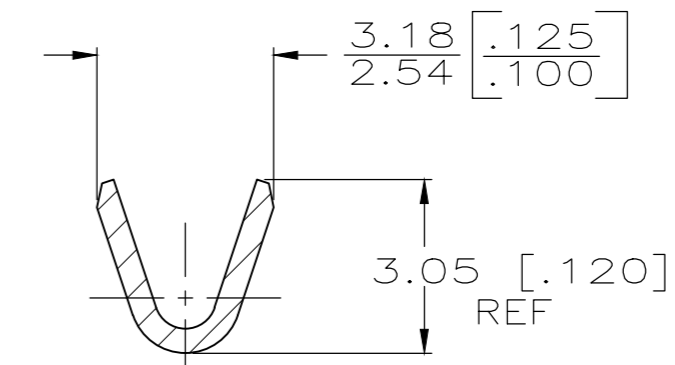


THIS DRAWING IS UNPUBLISHED. RELEASED FOR PUBLICATION
 © COPYRIGHT - By - ALL RIGHTS RESERVED.

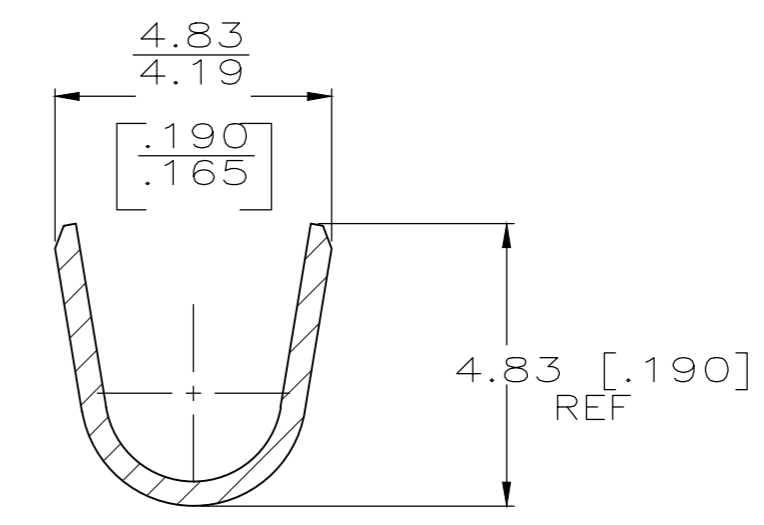
REVISIONS					
P	LTR	DESCRIPTION	DATE	DWN	APVD
C		REVISED PER ECO-18-007270	30MAY2018	RS	DS



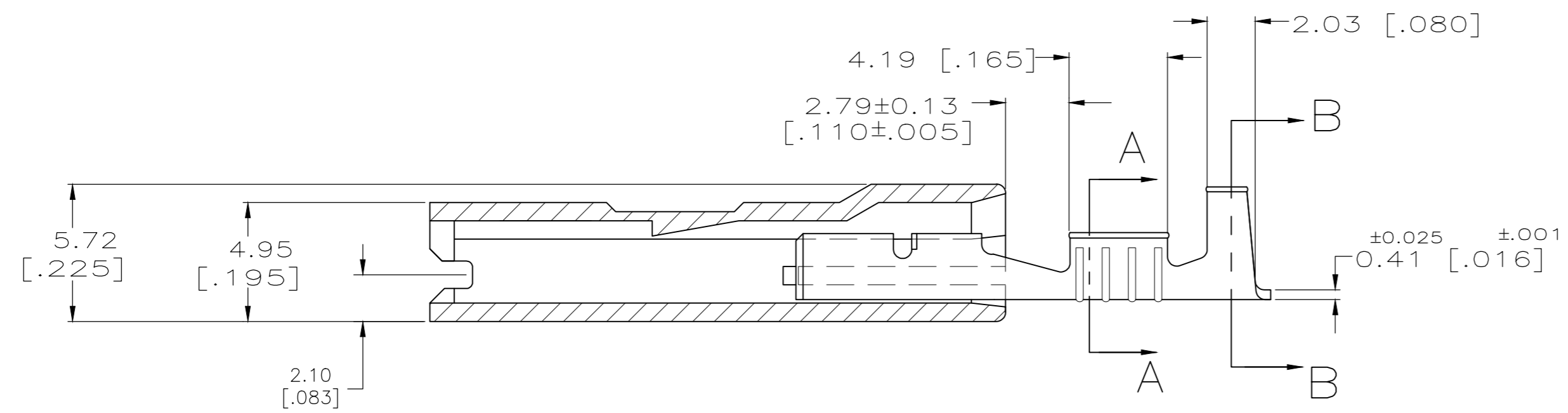
- 1 LOW-INSERTION FASTON TERMINALS, BASE PART NUMBER 2238027, ARE USED IN THIS PRODUCT.
- 2 OFFERED FOR CONSIDERATION IN APPLICATIONS REQUIRING "NON-DRIP" HOUSING MATERIAL.
- △3 PRE-PRODUCTION FASR REQUIRED.
- 4 WIRE SIZE: 0.3-0.8 MM² [22-18]
- 5 INSULATION RANGE: 2.29-3.30 [.090-.130]
- 6 MATING TAB THICK: 0.81±0.025[.032#.001]
- △7 GLOW WIRE APPROVED: CONTACT TE ENGINEERING FOR SPECIFICATION (ALL WALL THICKNESS ARE BETWEEN 0.4 - 3.0 [.015-.118]).
- △8 OBSOLETE PARTS
- △9 AGENCY APPROVAL IS PENDING.



SECTION A-A
SCALE 8:1



SECTION B-B
SCALE 8:1



SUPERCEDED BY 1969161-5	TIN PLATE	66 NYLON V0 NATURAL	1969161-5
	TIN PLATE	NATURAL, V2, WHITE	△7 △3 1969161-3
	TIN PLATE	NYLON 66, V0	△3 1969161-2
	PLAIN	NATURAL (WHITE)	△8 △3 1969161-1
TERMINAL FINISH	HOUSING	PART NO	

THIS DRAWING IS A CONTROLLED DOCUMENT.		DWN 13OCT09 RAGHAVENDRA	TE Connectivity Ltd.	
DIMENSIONS: mm [INCHES]		CHK 13OCT09 G PORTA	NAME	
TOLERANCES UNLESS OTHERWISE SPECIFIED:		APVD 13OCT09 G PORTA	ASSEMBLY, HOUSING & RECEPTACLE, 6.35 [.250] SERIES ULTRA-POD	
0 PLC ± -		PRODUCT SPEC	SIZE	CAGE CODE
1 PLC ± -		APPLICATION SPEC	114-2124	00779
2 PLC ± 0.25 [.010]		WEIGHT	0.000000	SCALE 5:1
3 PLC ± -		CUSTOMER DRAWING	SHEET 1 OF 1	
4 PLC ± -		FINISH	REV C	
ANGLES ± -		SEE TABLE		

X-ON Electronics

Largest Supplier of Electrical and Electronic Components

Click to view similar products for [Terminals](#) category:

Click to view products by [TE Connectivity](#) manufacturer:

Other Similar products are found below :

[HT-13-10](#) [71M-250-32-NB](#) [01-2065-1-0216](#) [00581P0075](#) [M10-10RX](#) [M10BCK](#) [60205-1](#) [604200-1](#) [60598-1-CUT-TAPE](#) [60617-1-C](#) [60873-1](#) [M14-516R/SK](#) [M14-6RSX](#) [M18-10FLX](#) [M18-8FBX](#) [M18-8R/LX](#) [M18BCK](#) [61314-6-C](#) [61-S](#) [61-SN-A](#) [62-NBM-A](#) [63-S](#) [640179-1](#) [640917-2-CUT-TAPE](#) [6501550002](#) [66107-2-C](#) [696683-1](#) [696834-1](#) [696861-1](#) [696931-1](#) [696999-1](#) [M8-516RK](#) [M86700006](#) [MA250DMFMX-A](#) [701-2007](#) [701-2307](#) [701-7761-03](#) [70F-110-32-PB](#) [718-N-A](#) [71M-187-20-NBL](#) [71M-250-32-NBL](#) [72F-187-20-NBL](#) [72M-250-32-NBL](#) [7310](#) [73F-250-32](#) [73F-250-32-NBL](#) [73F-250-32-NL](#) [F14-10C](#) [F-1M](#) [751-250](#)