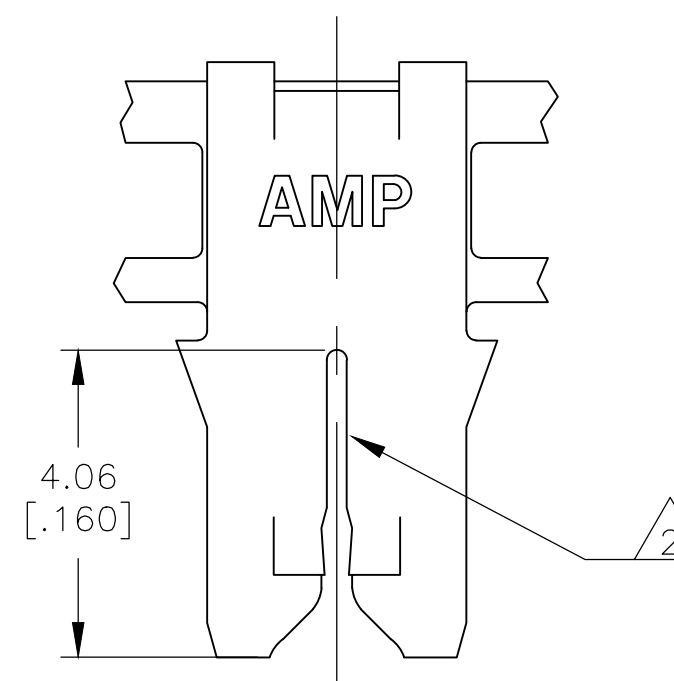
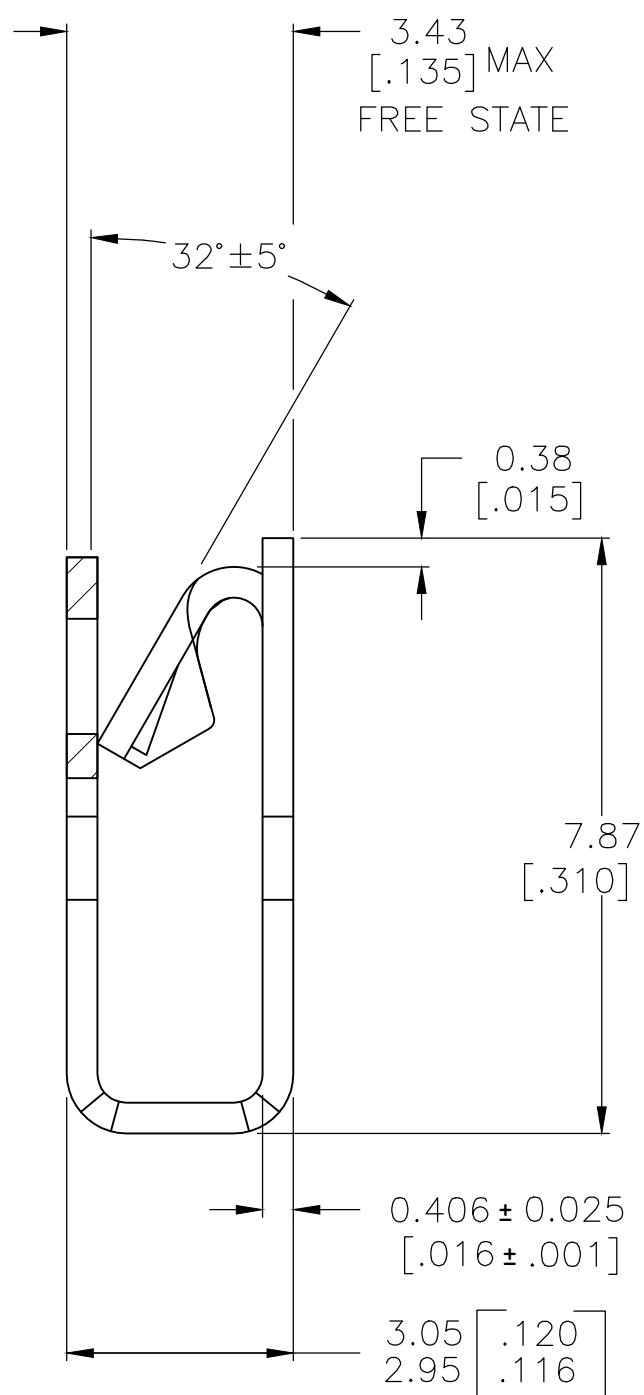
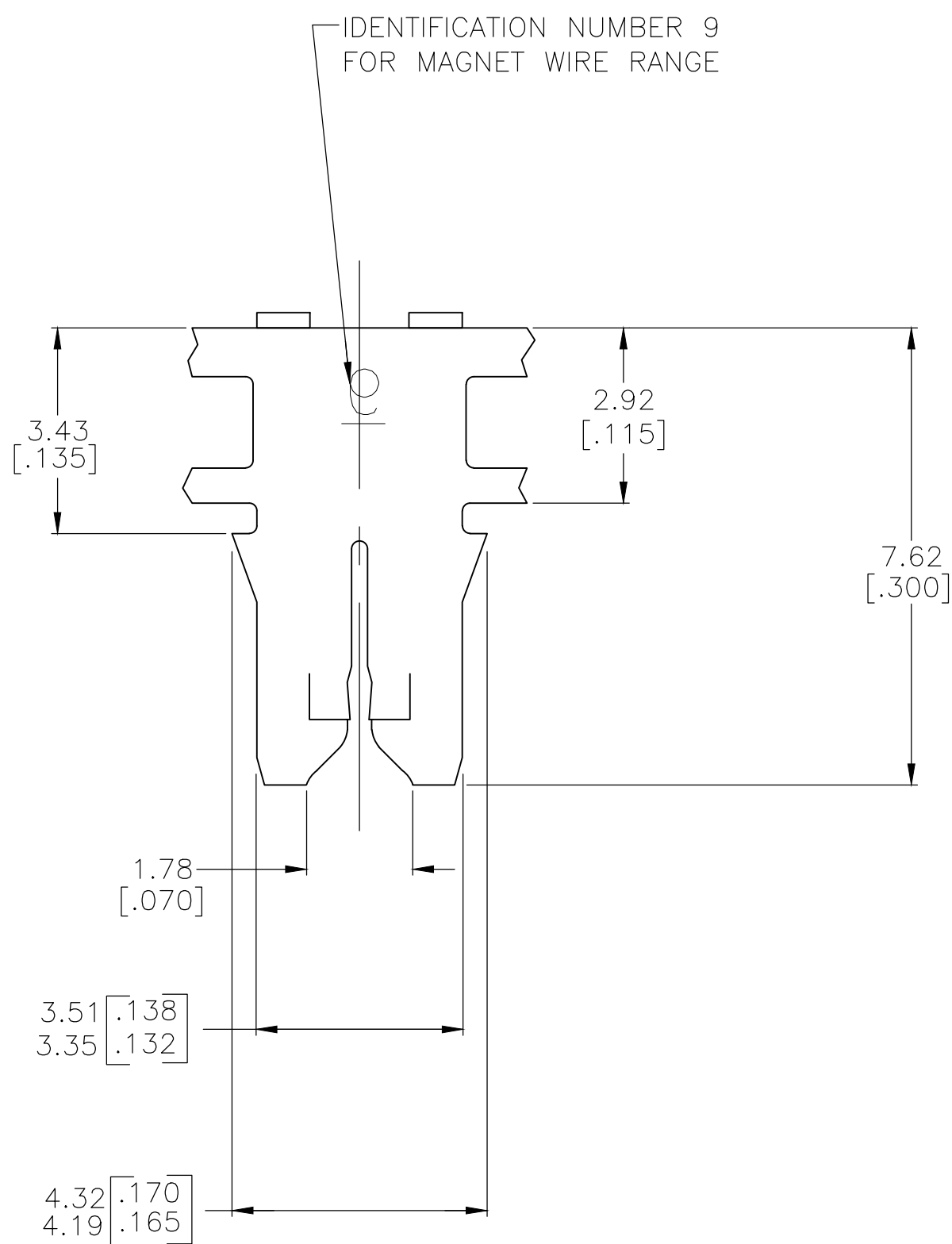
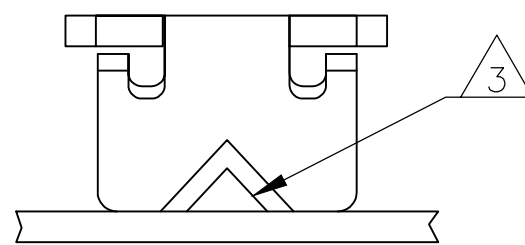


REVISIONS				
P	LTR	DESCRIPTION	DATE	APVD
A1		NOTE 4 ADDED. NOTE 3 UPDATED	28MAR2018	SV



- 1 CONTINUOUS STRIP ON REELS WITH TERMINALS LOCATED ON 5.59±0.08[.220±.003] CENTERS.
- 2 SLOT ACCEPTS A SINGLE OR DOUBLE WIRE ONLY
COPPER WIRE RANGE 0.38-0.50mm [#27-#24] AWG
ALUMINUM WIRE RANGE 0.45-0.50mm [#25-#24] AWG
- 3 POKE-IN ACCEPTS A 0.50-0.90 mm² [#20-#18 AWG] SOLID OR FUSED STRANDED LEAD WIRE.
- 4 PART WILL ACCEPT EITHER POKE-IN TAB OR FUSED LEAD WIRE.

PAPER	CARDBOARD REEL	TIN PLATED	BRASS	2825380-1
SPLICE	REELING MATERIAL	FINISH	MATERIAL	PART NO
THIS DRAWING IS A CONTROLLED DOCUMENT.		DWN BASVESH WARAD 09NOV2016		
DIMENSIONS: mm[INCHES]		CHK SUBRAMANIAN, VIJAI 09NOV2016		
TOLERANCES UNLESS OTHERWISE SPECIFIED:		APVD SUBRAMANIAN, VIJAI 09NOV2016		
0 PLC ± - 1 PLC ± - 2 PLC ± 0.25 [.010] 3 PLC ± - 4 PLC ± - ANGLES ± -		NAME		
MATERIAL SEE TABLE		FINISH SEE TABLE	PRODUCT SPEC 108-2012	APPLICATION SPEC 114-2046
		WEIGHT 0	SIZE A2	CAGE CODE 00779
		CUSTOMER DRAWING	SCALE 10:1	SHEET 1 OF 1
			DRAWING NO C=2825380	RESTRICTED TO -
			REV A1	

X-ON Electronics

Largest Supplier of Electrical and Electronic Components

Click to view similar products for [Terminals](#) category:

Click to view products by [TE Connectivity](#) manufacturer:

Other Similar products are found below :

[HT-13-10](#) [71M-250-32-NB](#) [01-2065-1-0216](#) [00581P0075](#) [M10-10RX](#) [M10BCK](#) [60205-1](#) [604200-1](#) [60598-1-CUT-TAPE](#) [60617-1-C](#) [60873-1](#) [M14-516R/SK](#) [M14-6RSX](#) [M18-10FLX](#) [M18-8FBX](#) [M18-8R/LX](#) [M18BCK](#) [61314-6-C](#) [61-S](#) [61-SN-A](#) [62-NBM-A](#) [63-S](#) [640179-1](#) [640917-2-CUT-TAPE](#) [6501550002](#) [66107-2-C](#) [696683-1](#) [696834-1](#) [696861-1](#) [696931-1](#) [696999-1](#) [M8-516RK](#) [M86700006](#) [MA250DMFMX-A](#) [701-2007](#) [701-2307](#) [701-7761-03](#) [70F-110-32-PB](#) [718-N-A](#) [71M-187-20-NBL](#) [71M-250-32-NBL](#) [72F-187-20-NBL](#) [72M-250-32-NBL](#) [7310](#) [73F-250-32](#) [73F-250-32-NBL](#) [73F-250-32-NL](#) [F14-10C](#) [F-1M](#) [751-250](#)