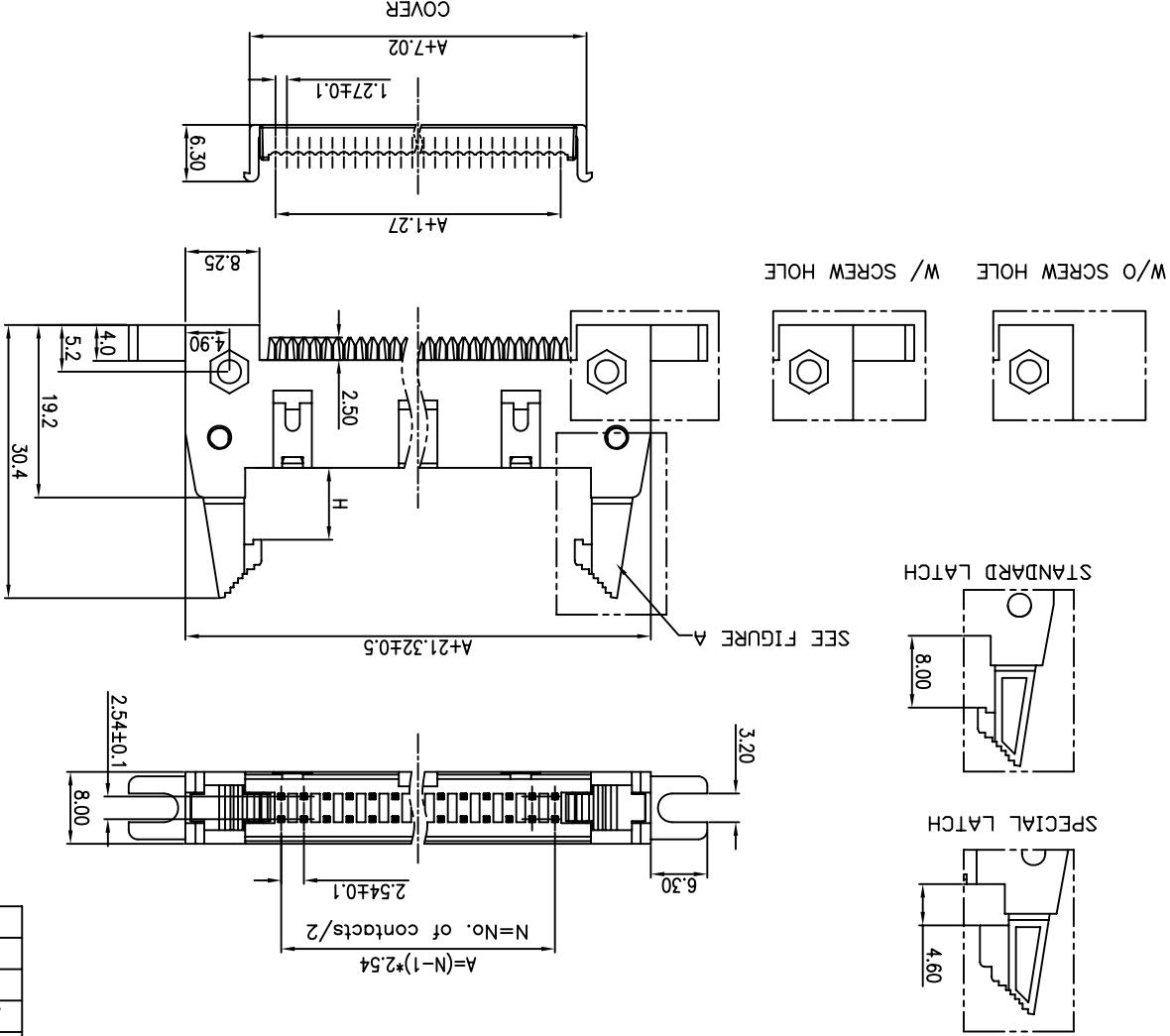
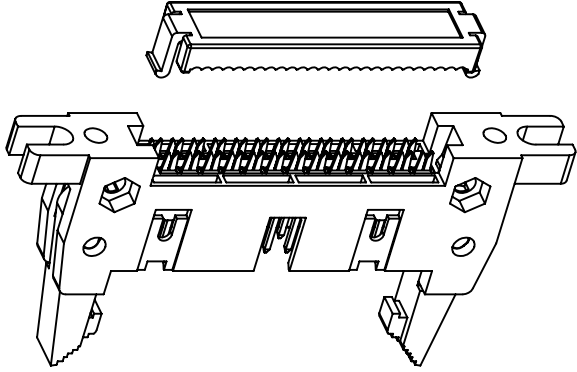


DRAWING NO. C-DS1012-XXXXXXX		SCALE 1:1		DRAWING TYPE CUSTOMER	
SHEET 1 OF 1					
GENERAL TOLERANCE .X .XX ±0.25 ±0.38 ±0.60		ANGLE TOLERANCE ±5 X ±3 X ±2 XX			
SHEET SIZE A4		SERIES DS1012 SERIES		UNITS mm	
PROJECTION FIRST ANGLE		TITLE IDC SHROUDED HEADER		MATES WITH PITCH 1.27mm FLAT CABLE	



NOTES:

1. MATERIAL: 1.1 INSULATOR: THERMOPLASTIC (UL 94V-0).
- 1.2 CONTACT: COPPER ALLOY.

2. SPECIFICATION

- 2.1 STORAGE TEMPERATURE: -40°C ~ +105°C.
- 2.2 CONTACT RESISTANCE: 20mΩ max. (initial).
- 2.3 INSULATION RESISTANCE: 1000MΩ min.
- 2.4 DIELECTRIC WITHSTANDING VOLTAGE: AC 500V PER MINUTE.

3. PART NUMBER: DS1012
4. PRODUCT NUMBER CODE: DS1012-X X X X X X X X X X X X X X X X

- LOCK DIM.: H: 8: 8.00mm (standard)
- 4: 4.60mm (special)
- HOUSING COLOR: A: GRAY B: BLACK
- CONTACT PLATING: O: SELECTIVE GOLD FLASH
- STRAIN RELIEF: N: W/O
- SCREW HOLE: M: W/O
- N: W/O
- EJECTOR TYPE: L: Long
- NO. OF CONTACTS: 10 14 16 24 26 30 40 50 60 64
- SERIES No.: DS1012

REV.	DESCRIPTION	DRAWN	DATE
A	NEW RELEASE	LL	09/25/06
	CHECKED		
	APPROVED		

X-ON Electronics

Largest Supplier of Electrical and Electronic Components

Click to view similar products for [Headers & Wire Housings](#) category:

Click to view products by [Connfly](#) manufacturer:

Other Similar products are found below :

[95000-104TRLF](#) [10135584-644402LF](#) [DF62W-EP2022PCA](#) [95000-106TRLF](#) [DF62W-2022SCA](#) [DF62W-EP2022PC](#) [2203348](#) [DF62W-2022SC](#) [1084018](#) [1029039](#) [1084017](#) [802-10-012-10-002000](#) [1112640](#) [1112639](#) [000-34000](#) [0009482033](#) [0009507031](#) [57102-S06-03LF](#) [57202-S52-04LF](#) [PCN6-15S-2.5E](#) [0039019024](#) [58102-G61-06LF](#) [582553-1](#) [0009508121](#) [0022285053](#) [0050291907](#) [018731A](#) [LY20-4P-DT1-P1E-BR](#) [02.125.8002.8](#) [60101931](#) [60598-1 \(Cut Strip\)](#) [M1625-3R/100](#) [61062-3](#) [61082-181009](#) [636-1427](#) [638009-1](#) [641938-9](#) [641991-4](#) [644168-1](#) [647662-1](#) [65039-019ELF](#) [65817-002LF](#) [65817-015LF](#) [65863-015LF](#) [66207-023LF](#) [67016-026LF](#) [67046-001LF](#) [67095-007LF](#) [67230-005LF](#) [68002-116](#)