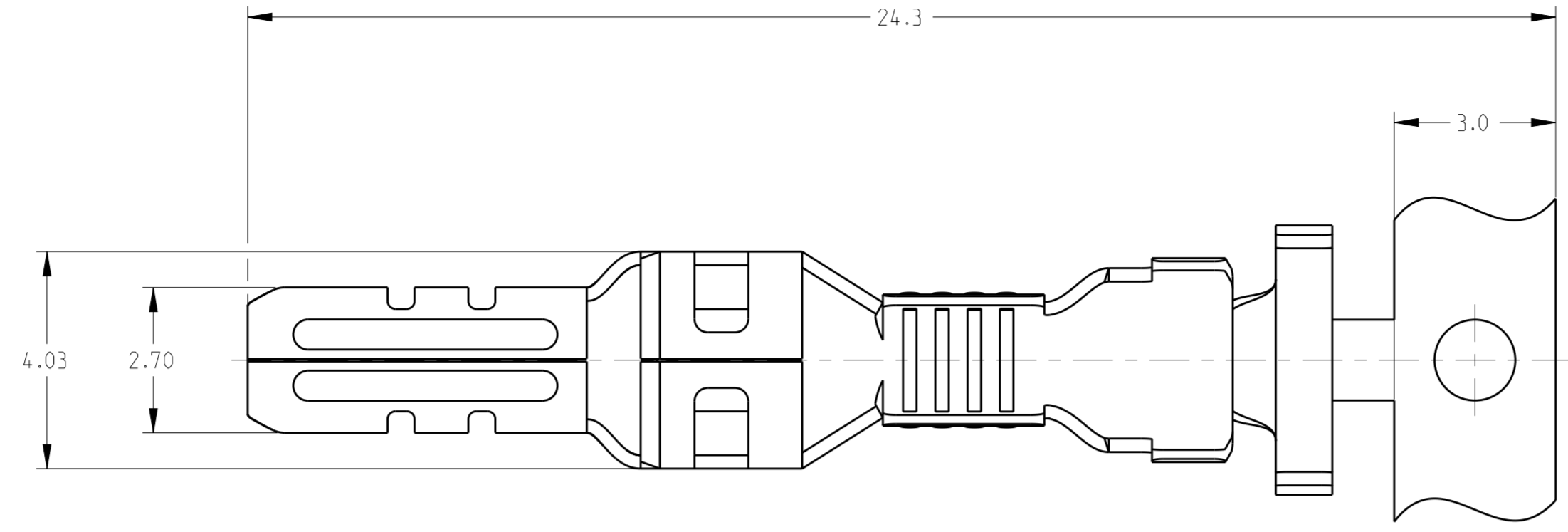
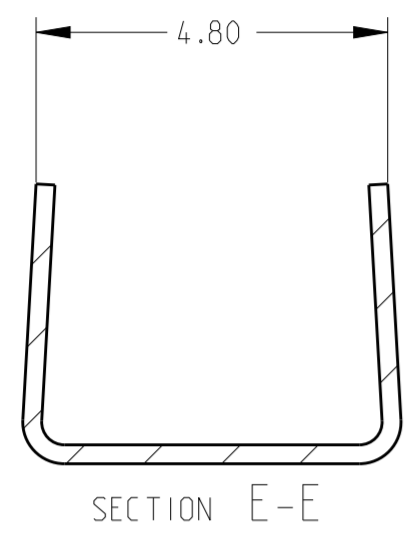


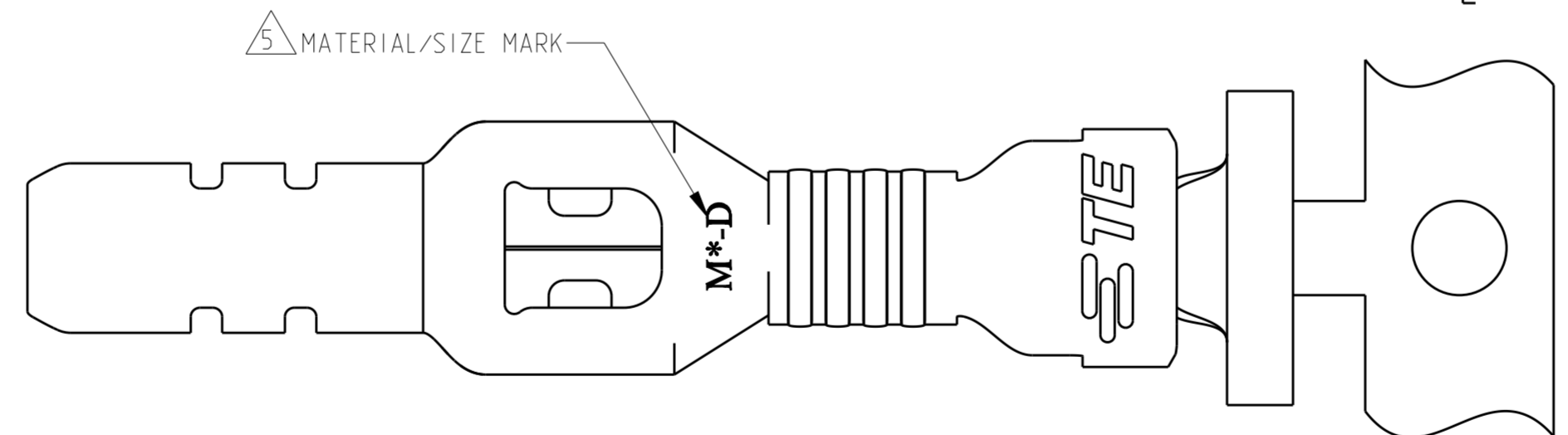
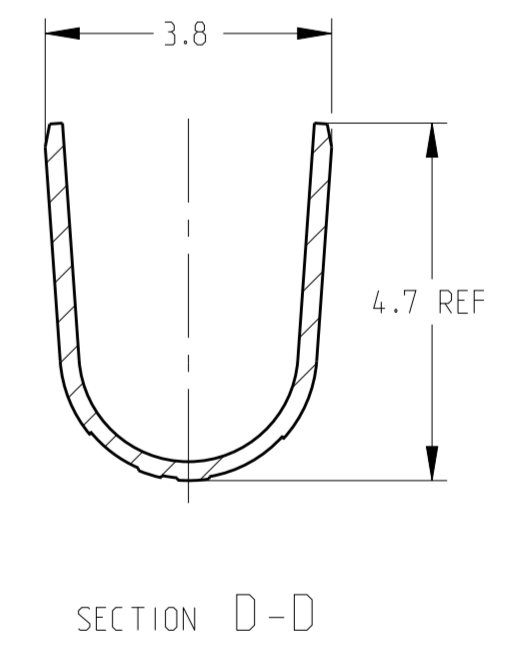
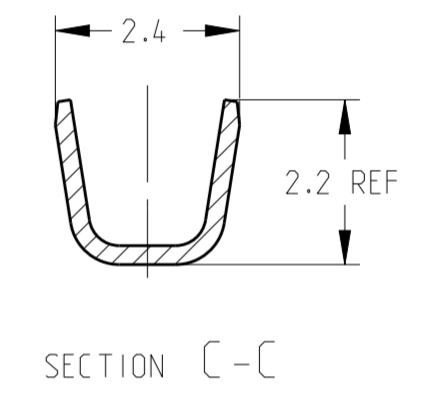
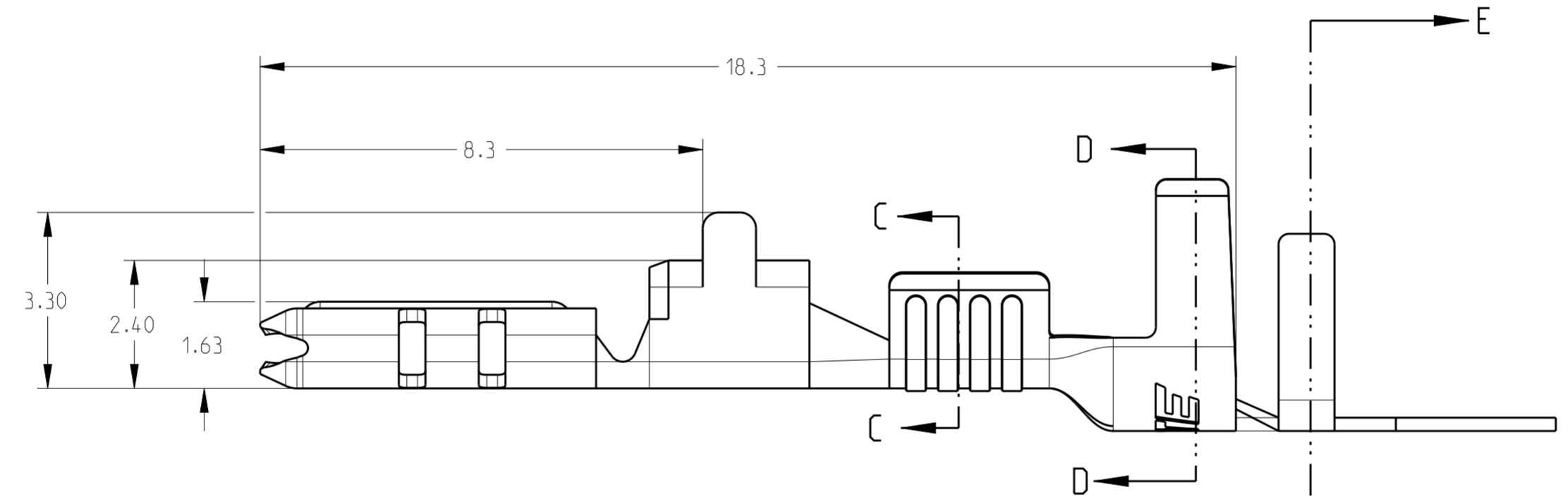
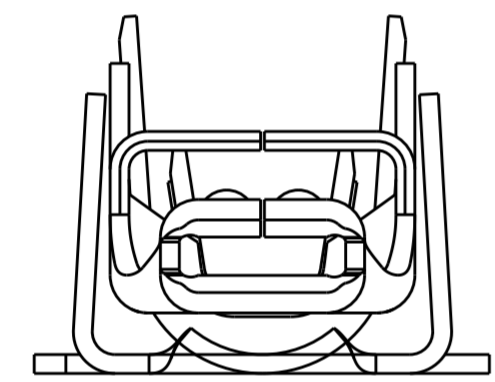
THIS DRAWING IS UNPUBLISHED. RELEASED FOR PUBLICATION 20  
 © COPYRIGHT 20 BY - ALL RIGHTS RESERVED.

REVISIONS				
P	LTR	DESCRIPTION	DATE	APVD
B1		REVISED PER ECO-16-016321	14NOV2016	RS GJ
C		REVISED PER ECR-18-003696	24MAY2018	BKW GJ
C1		REVISED PER ECR-18-015112	01OCT2018	BDA GJ



- 1 RECOMMENDED WIRE RANGE: 18AWG  
COPPER STRANDED (1580 ~ 1800 CMA)
- 2 APPLICABLE INSULATION DIAMETER: 2.40~3.30mm.  
2.00~3.30mm WHEN OVERLAP INSULATION  
APPLICATOR USED.
- 3 APPLICABLE MATED CAP HOUSING P/N:  
\*-1971772-\*/\*-1971775-\*/\*-1971875-\*/  
\*-2232263-\*/\*-2232264-\*/\*-2232356-\*
- 4 THIS PRODUCT HAS NOT COMPLETED VALIDATION  
TESTING.

5 WIRE SIZE INDICATOR "D"=18 AWG



COPPER ALLOY	HIGH (150°C)	M0-D	2238067-2
BRASS	STANDARD (105°C)	M8-D	2238067-1
MATERIAL	TEMP. RATING	MATERIAL/SIZE MARK 5	PART NO

THIS DRAWING IS A CONTROLLED DOCUMENT.

DIMENSIONS: mm 	TOLERANCES UNLESS OTHERWISE SPECIFIED: 0 PLC ± 1 PLC ±0.5 2 PLC ±0.30 3 PLC ± 4 PLC ± ANGLES ± FINISH PRE-TIN	DWN 17NOV2014 NAGALAKSHMI K	TE Connectivity
		CHK 17NOV2014 JACONO GENE	
MATERIAL SEE TABLE	PRE-TIN	APVD 17NOV2014 JACONO GENE	PRODUCT SPEC 108-106118 APPLICATION SPEC 114-106118 WEIGHT - Customer Drawing
		SIZE A2	CAGE CODE 00779 DRAWING NO C-2238067 RESTRICTED TO - SCALE 10:1 SHEET 1 OF 1 REV C1

## X-ON Electronics

Largest Supplier of Electrical and Electronic Components

*Click to view similar products for [Heavy Duty Power Connectors](#) category:*

*Click to view products by [TE Connectivity](#) manufacturer:*

Other Similar products are found below :

[1424439](#) [1424438](#) [09330062652](#) [2-8675P1](#) [605601-1](#) [6340G1](#) [6341G1](#) [6360G1](#) [6373G1](#) [6374g2](#) [6396G1](#) [647757-1](#) [66394-4](#) [6643411-1](#)  
[6646058-2](#) [6646137-1](#) [6646138-1](#) [6646348-1](#) [6646479-1](#) [6646608-1](#) [6646786-1](#) [6646940-1](#) [6651091-1](#) [6651525-1](#) [6651529-1](#) [6651778-1](#)  
[6651788-1](#) [696465-1](#) [696475-1](#) [73000005059](#) [73000005349](#) [73000005642](#) [73080255059](#) [73080965046](#) [765-15-0080A](#) [765-16-0080B](#)  
[789.700-44](#) [789.700-54](#) [80-1010](#) [80-9](#) [827381-1](#) [829992-1](#) [902-77-02113](#) [PL00U-301-10D10](#) [PM103MOOLOO](#) [PM16S1620S32-50](#)  
[PM212MOOLOO](#) [PM309FOOLOO](#) [PM324FOOLCH](#) [PMHPAF11S03](#)