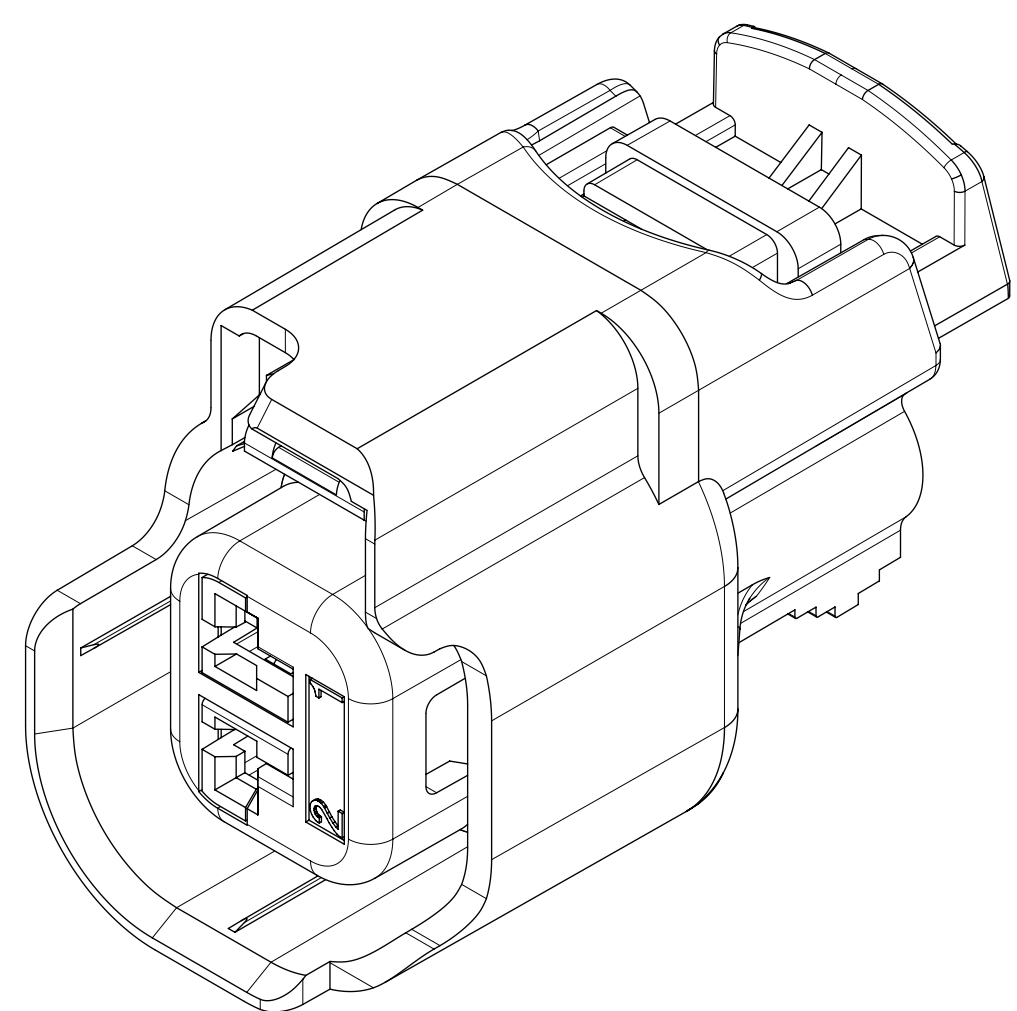
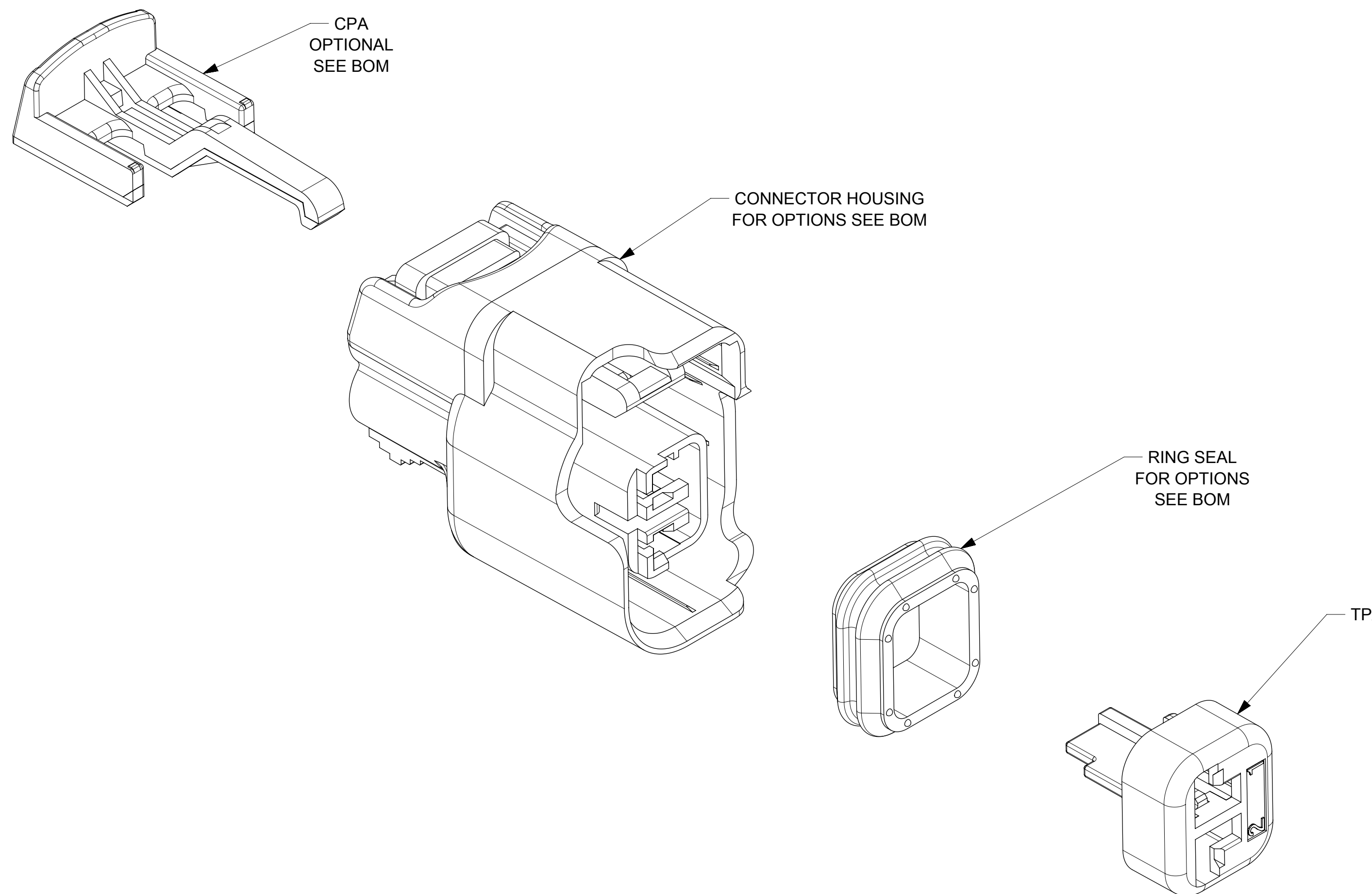


TABLE OF CONTENTS	
SHEET NO.	SHEET DESCRIPTION
1	NOTES
2, 3	CONFIGURATIONS
4	RECEPTACLE CONNECTOR ASSEMBLY
5	MOLEX INTERFACE

NOTES: VALID UNLESS OTHERWISE SPECIFIED

1. GENERAL:
- a. APPLICATION SPECIFICATION SEE: AS-34062-000
    - CONTAINS: PRODUCT INTRODUCTION, PRODUCT SUMMARY, CONNECTOR ASSEMBLY, PACKAGING INFORMATION, CONNECTOR MATING, SERVICE INSTRUCTIONS, ELECTRICAL CONTINUITY CHECKING, CRIMPING, AND TROUBLESHOOTING.
    - DESIGNED TO MATE WITH DEVICE CONNECTION AS SPECIFIED IN DRAWING EWCAP 150-S-002-1-Z01. AVAILBLE AT <http://ewcap.uscarteams.org/>.
    - DESIGNED TO MATE WITH BLADE SEALED ASSEMBLY AS SPECIFIED IN DRAWING: SD-34675-001
    - ASSEMBLY SHIPPED WITH TPA IN PRE-LOCK (SEE TPA PRE-LOCK VIEW IN SHEET 4)
  - b. PRODUCT SPECIFICATION SEE: PS-34062-000
    - CONTAINS: SCOPE, PRODUCT DESCRIPTION, INTEGRAL COMPONENTS AND ACCESSORIES, APPLICABLE DOCUMENTS AND SPECIFICATIONS, RATINGS, PERFORMANCE, PACKAGING, GAUGE AND FIXTURES, AND OTHER INFORMATION.
  - c. PACKAGING SPECIFICATION PER MOLEX DRAWING: PK-30907-879
  - d. PARTS MUST BE IN COMPLIANCE TO MOLEX CHEMICAL SUBSTANCES FOR PRODUCTS AND PACKAGING SPECIFICATION: QEHS-699000-301
  - e. DATA MUST BE SUBMITTED UNDER THE MOLEX PART NUMBER TO IMDS (COMPANY ID#13255)
2. DESIGN - MATERIALS:
- a. SEE BOM TABLE IN SD-34062-004
3. DESIGN - GEOMETRY:
- a. THIS IS A 100% CAD GENERATED PART. THE CAD MATHEMATICAL DATA IS THE MASTER FOR THIS PART. FOR DIMENSIONAL OR ANY INFORMATION NOT SHOWN ON THIS DRAWING, ANALYZE THE CAD MODEL.
  - b. GEOMETRIC DIMENSIONS AND TOLERANCES PER ASME Y14.5M - 1994
  - c. EDGES AND UNDIMENSIONED DETAILS PER ISO13715
  - d. CORNERS SHOWN AS SHARP TO BE R 0.2 MAX.
  - e. LETTERING SHALL BE 0.15 MAX RAISED IN 0.25 MAX RECESS PAD. THIS INCLUDES RECYCLING CODE, CAVITY ID, VENDOR IDENTIFICATION, AND CUSTOMER MATERIAL NUMBER.
  - f. VISUAL DEFECTS SHALL MEET COSMETIC STANDARD PS-45499-002 (Class B)
  - g. LASER MARKING: TBD

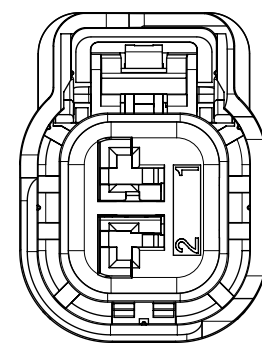
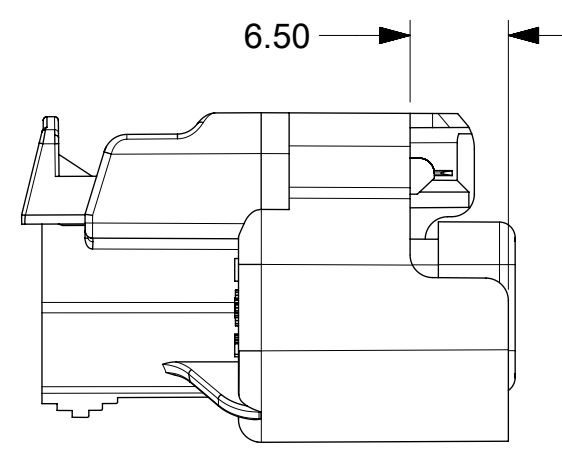


J19	NX RE-MASTERING
J18	ADDED DIM ICD 64
REV.	DESCRIPTION

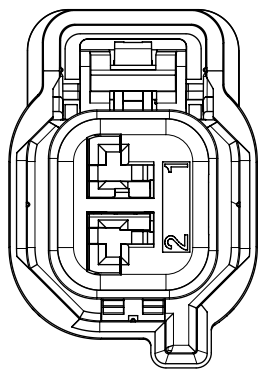
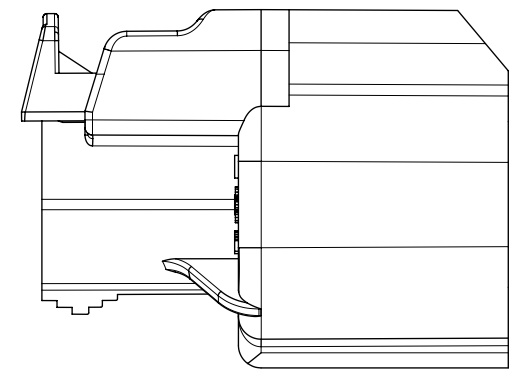
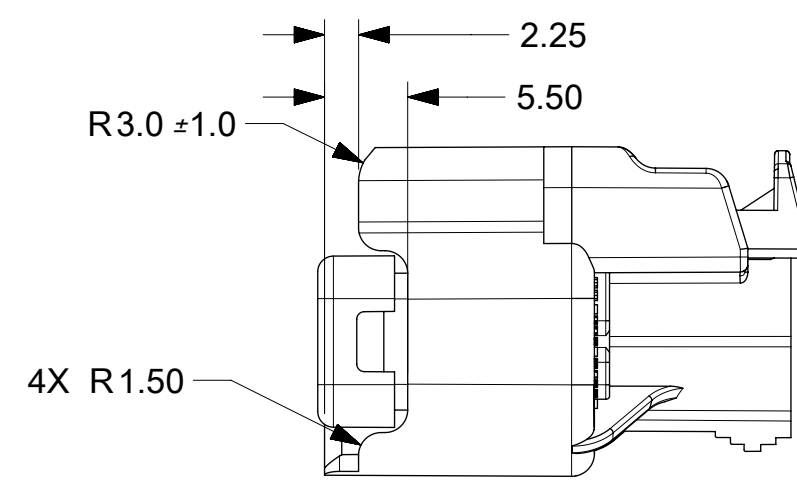
THIS DRAWING CONTAINS INFORMATION THAT IS PROPRIETARY TO MOLEX ELECTRONIC TECHNOLOGIES, LLC AND SHOULD NOT BE USED WITHOUT WRITTEN PERMISSION		DIMENSION UNITS <b>MM</b>		SCALE <b>4:1</b>			
GENERAL TOLERANCES (UNLESS SPECIFIED)		DRWN BY <b>KCUNNINGHAM</b>		DATE <b>2011/11/08</b>			
ANGULAR TOL $\pm 3.0^\circ$		CHKD BY <b>MVANSLAMBROU</b>		DATE <b>1/26/2012</b>		<b>PRODUCT CUSTOMER DRAWING</b>	
4 PLACES $\pm$		APPR BY <b>KDEKOSKI</b>		DATE <b>2017/06/14</b>			
3 PLACES $\pm$		DRAWING SIZE <b>D</b>		THIRD ANGLE PROJECTION		MATERIAL NUMBER <b>SEE NOTE 2a</b>	
2 PLACES $\pm 0.1$		DRAFT WHERE APPLICABLE MUST REMAIN WITHIN DIMENSIONS		CUSTOMER <b>GENERAL MARKET</b>		DOCUMENT NUMBER <b>SD-34062-002</b>	
1 PLACE $\pm 0.3$		EC NO: 117955 DRWN: PKABBUR CHKD: KDEKOSKI REV: APPR:		J19		DOC TYPE <b>PSD</b>	
0 PLACES $\pm$		PER DRAWING REVISION: J18		LAST BALLOON NUMBER USED: ICD 64		DOC PART <b>000</b>	
INSPECTION BALLOON NUMBER LOG		ADDED BALLOON NUMBERS: ICD 64		REMOVED BALLOON NUMBERS: ICD 7, ICD 8, ICD 9, ICD 18, ICD 19, ICD 20, ICD 41, ICD 42		SHEET NUMBER <b>1 OF 5</b>	

RELEASE STATUS	RELEASE DATE
----------------	--------------

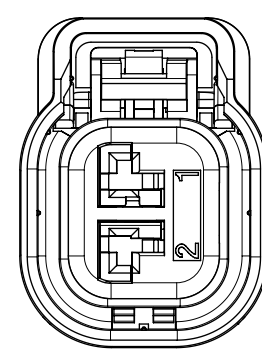
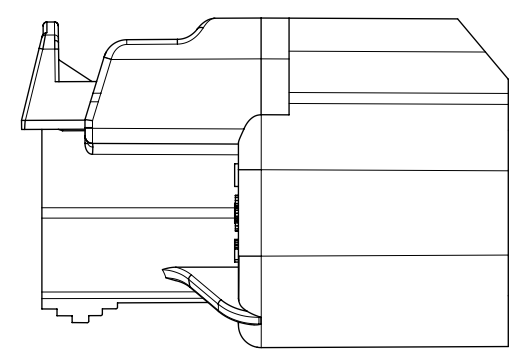
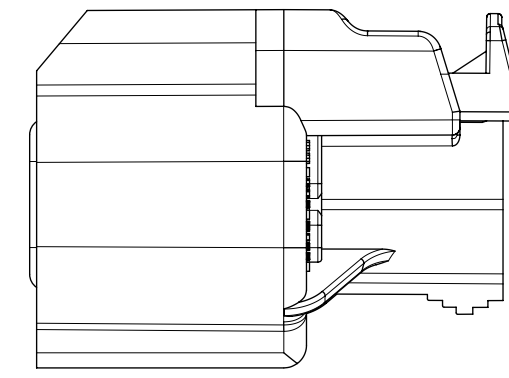
SHEET DESCRIPTION  
CONFIGURATIONS



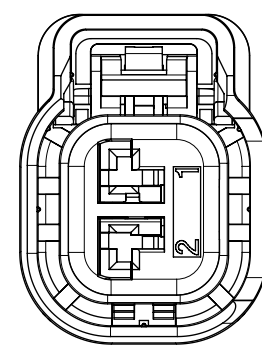
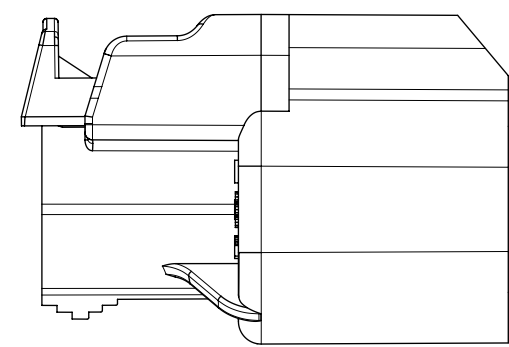
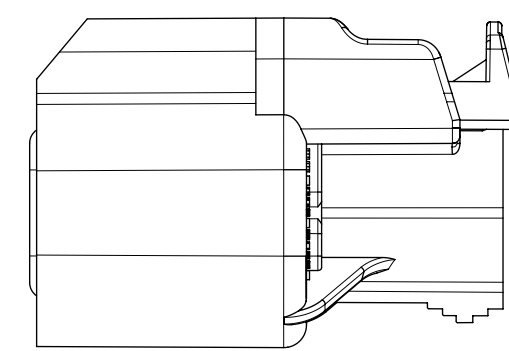
OPTION A



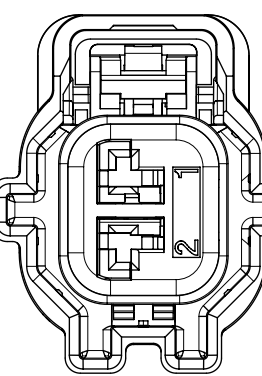
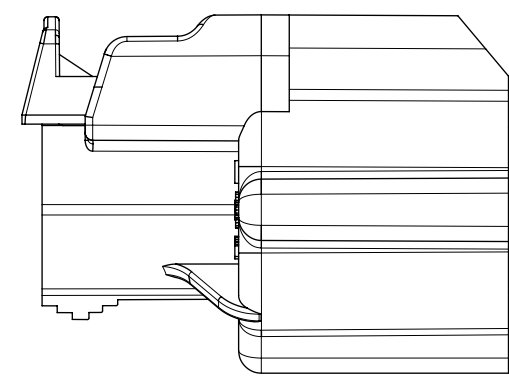
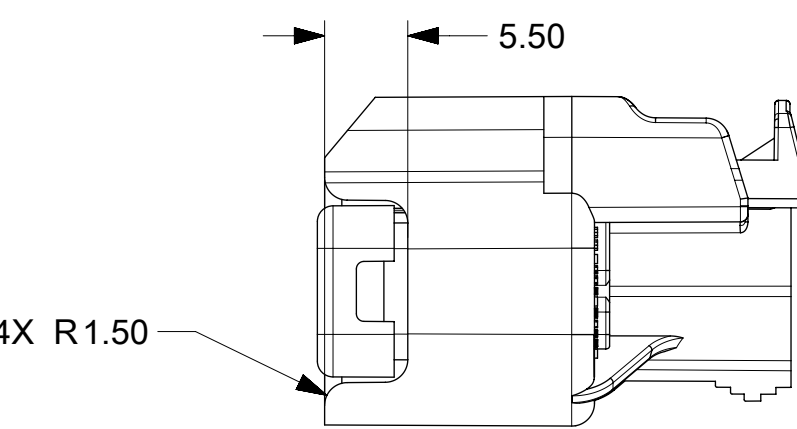
OPTION B



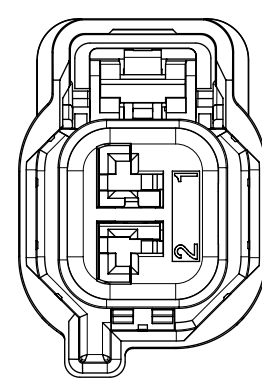
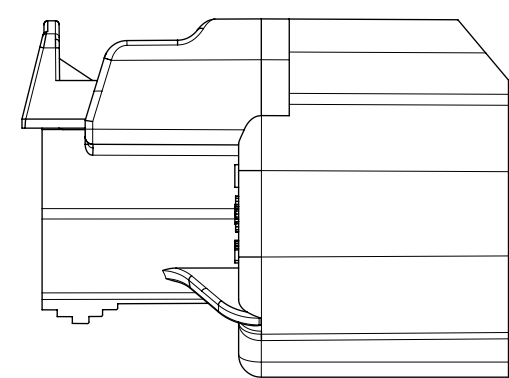
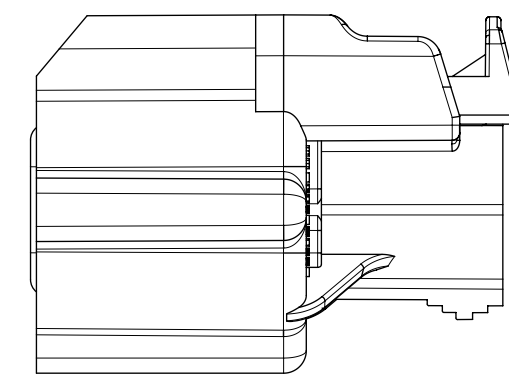
OPTION C



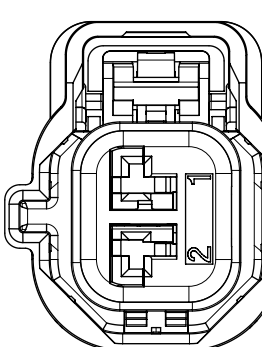
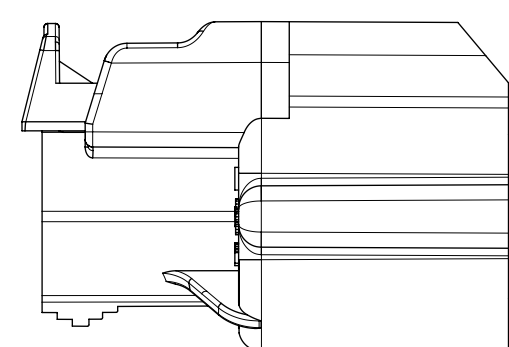
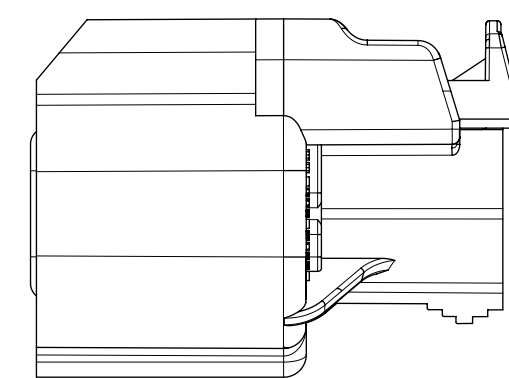
OPTION D



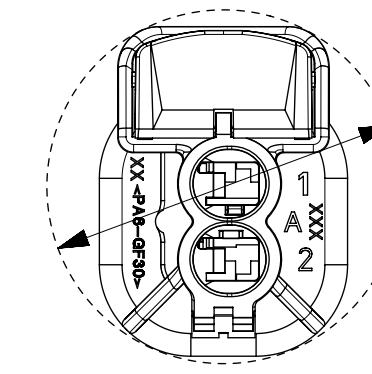
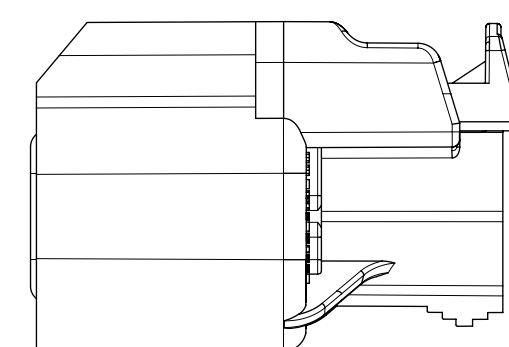
OPTION E



OPTION F

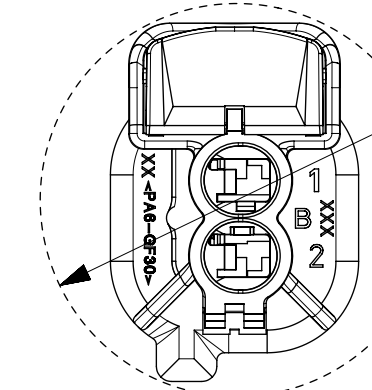


OPTION G



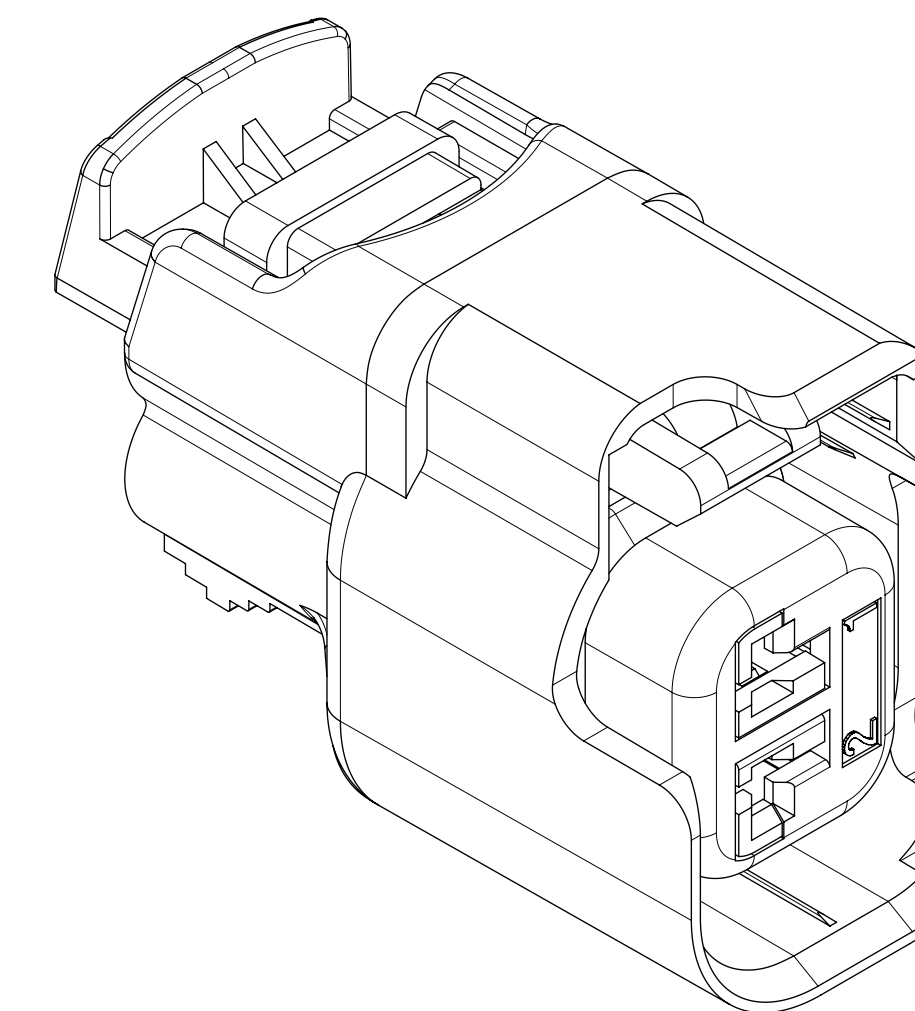
REAR VIEW

Ø23.40  
MINIMUM PASS-THRU WITH  
NO CLEARANCE  
APPLIES TO NON-CLIP SLOT  
OPTIONS A, C, D & G



REAR VIEW

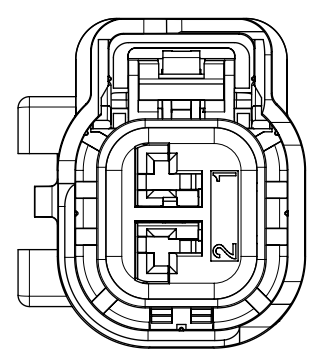
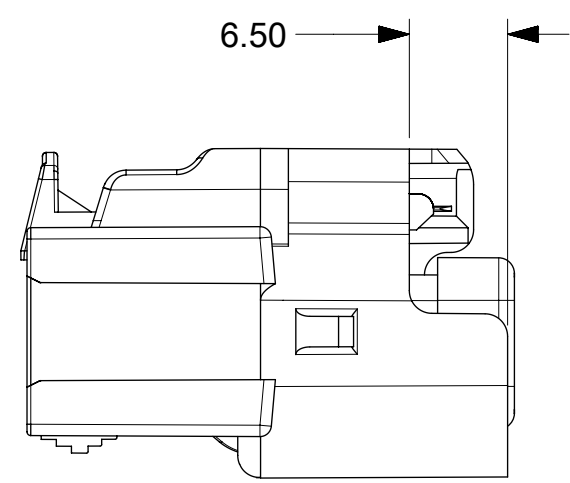
Ø26.00  
MINIMUM PASS-THRU WITH  
NO CLEARANCE  
APPLIES TO NON-CLIP SLOT  
OPTIONS B, E & F



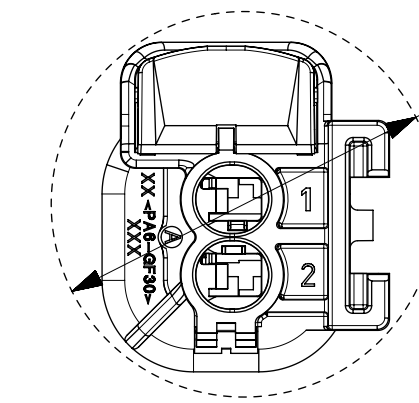
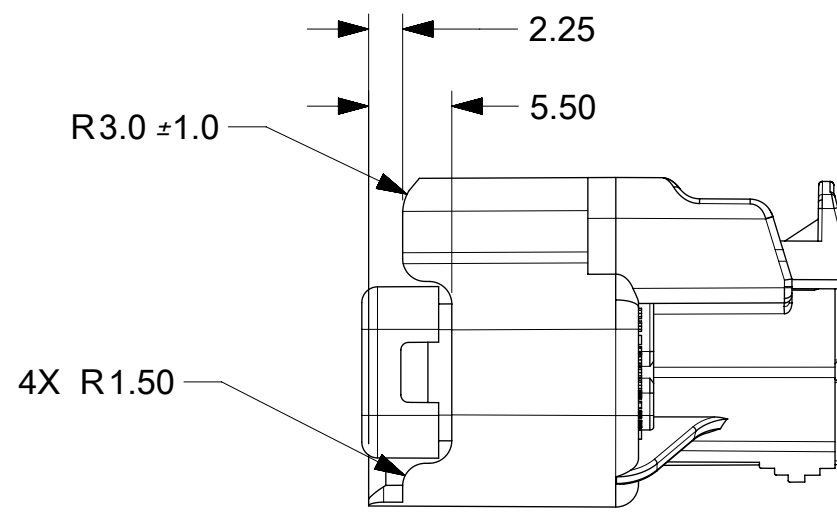
NON CLIP-SLOT OPTION  
SCALE 4:1

THIS DRAWING CONTAINS INFORMATION THAT IS PROPRIETARY TO MOLEX ELECTRONIC TECHNOLOGIES, LLC AND SHOULD NOT BE USED WITHOUT WRITTEN PERMISSION									
QUALITY SYMBOLS	EC NO: 117955 DRWN: PKABBUR CHK'D: REV: APPR: KDEKOSKI	2017/05/15 2017/06/14	GENERAL TOLERANCES (UNLESS SPECIFIED)		DIMENSION UNITS	SCALE			
			ANGULAR TOL ± 3.0 °		MM	2:1			
▽ = 0	DRAFT WHERE APPLICABLE MUST REMAIN WITHIN DIMENSIONS	D	4 PLACES ±	DRWN BY	DATE	MX150 2 WAY CABLE SEAL RECEPTACLE CONN. SYSTEM (5.0MM PITCH)			
▽ = 0			3 PLACES ±	KCUNNINGHAM	2011/11/08				
▽ = 0			2 PLACES ± 0.1	CHKD BY	DATE	PRODUCT CUSTOMER DRAWING			
▽ = 0			1 PLACE ± 0.3	MVANSLAMBROU	1/26/2012				
▽ = 0			0 PLACES ±	APPR BY	DATE	SERIES	MATERIAL NUMBER	CUSTOMER	
▽ = 0				KDEKOSKI	2017/06/14	34062	SEE NOTE 2a	GENERAL MARKET	
▽ = 0				DOCUMENT NUMBER	DOC TYPE	DOC PART	SHEET NUMBER		
				J19	PSD	000	2 OF 5		

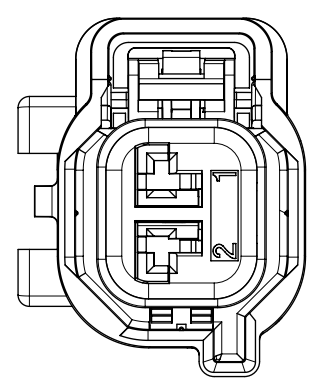
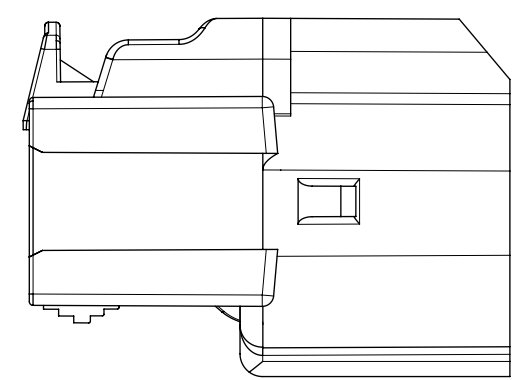
SHEET DESCRIPTION  
CONFIGURATIONS



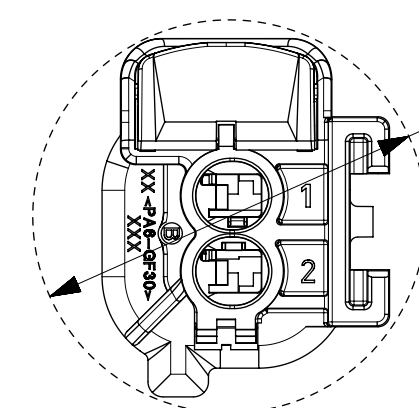
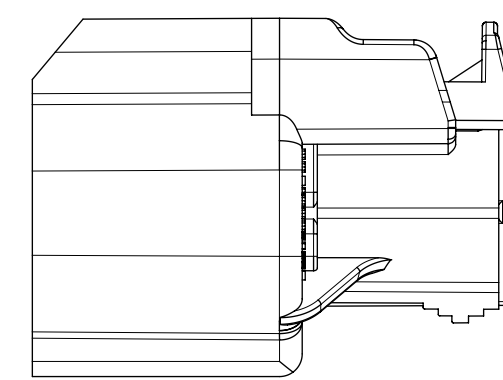
OPTION A W/CLIP-SLOT \*



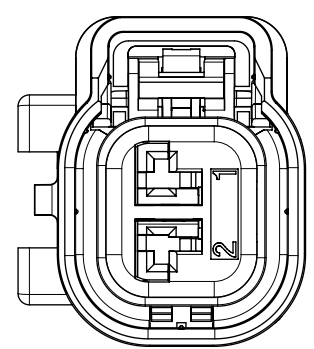
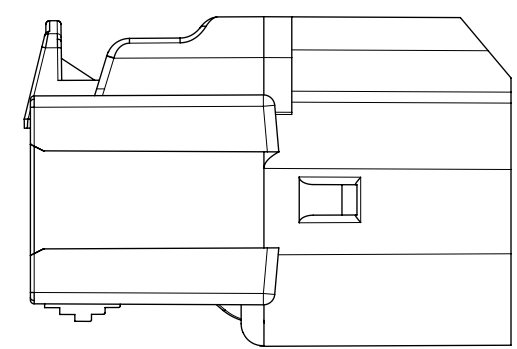
Ø25.50  
MINIMUM PASS-THRU WITH  
NO CLEARANCE  
APPLIES TO CLIP-SLOT  
OPTIONS A, C & D



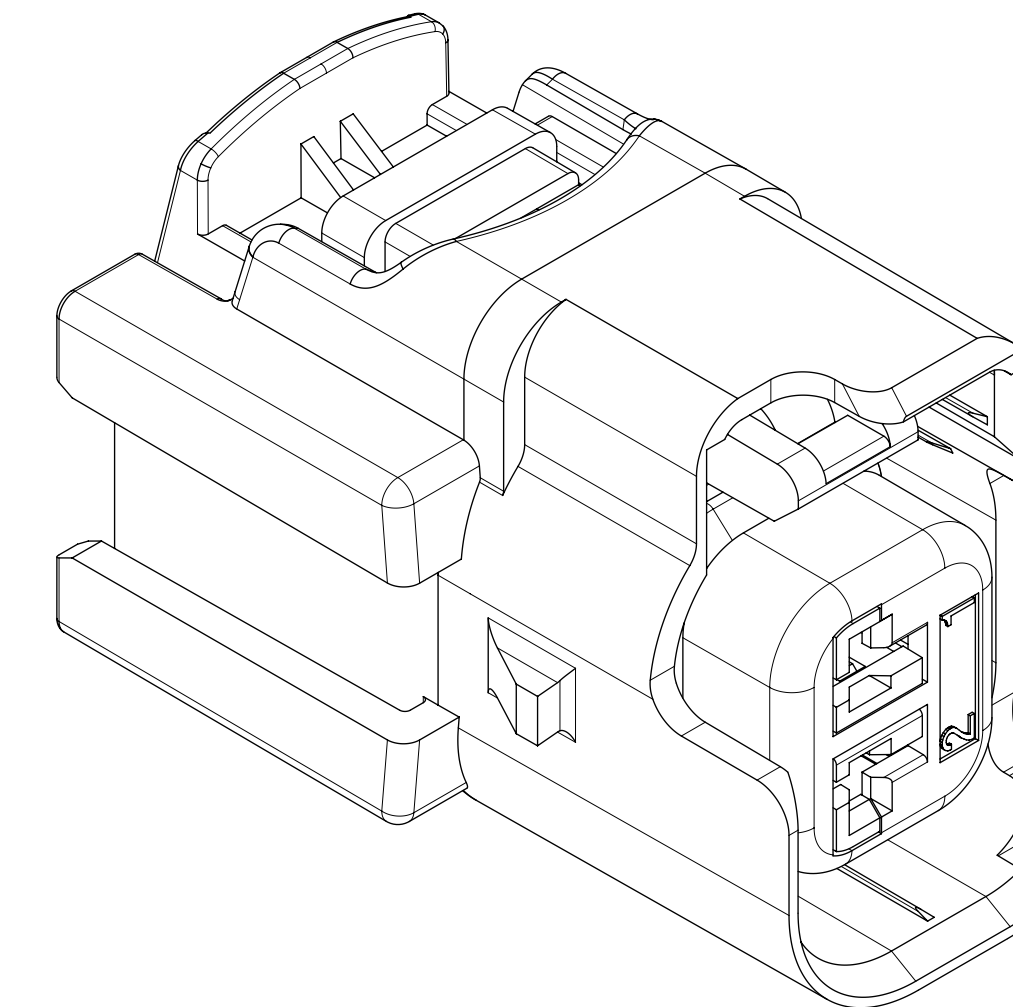
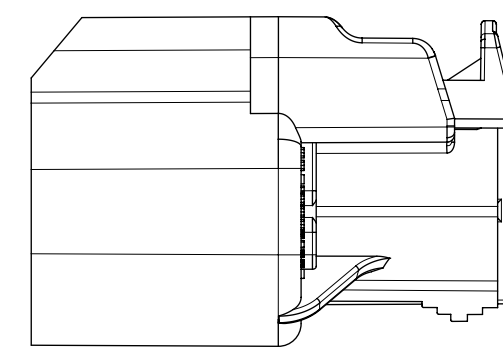
OPTION B W/CLIP-SLOT \*



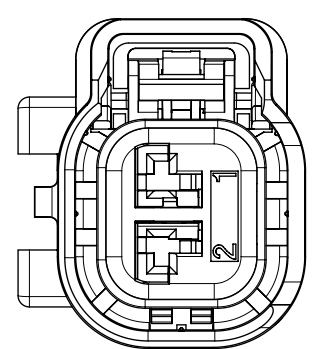
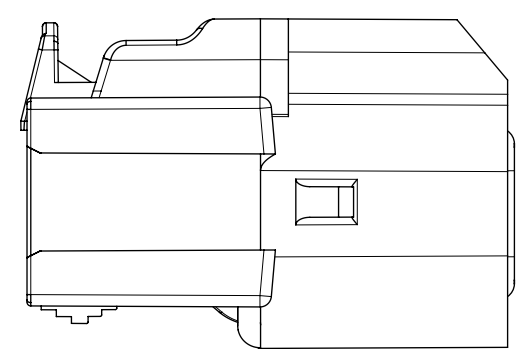
Ø26.00  
MINIMUM PASS-THRU WITH  
NO CLEARANCE  
APPLIES TO CLIP-SLOT  
OPTION B



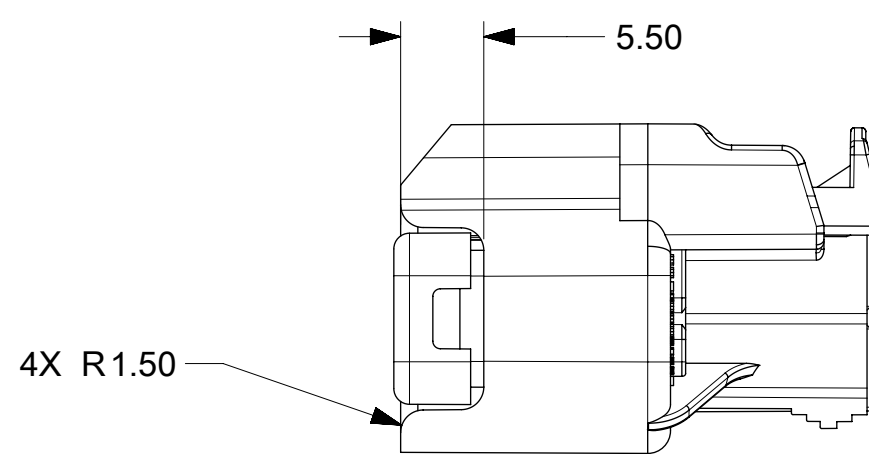
OPTION C W/CLIP-SLOT \*



CLIP-SLOT OPTION  
SCALE 4:1



OPTION D W/CLIP-SLOT \*

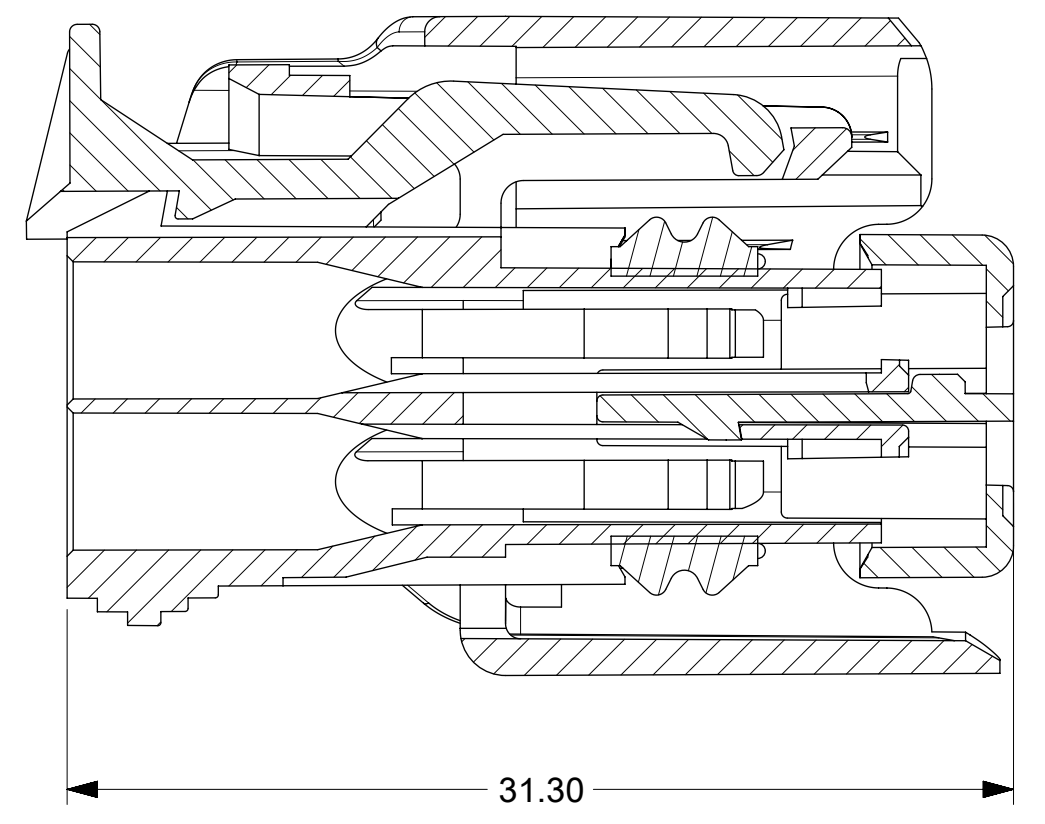
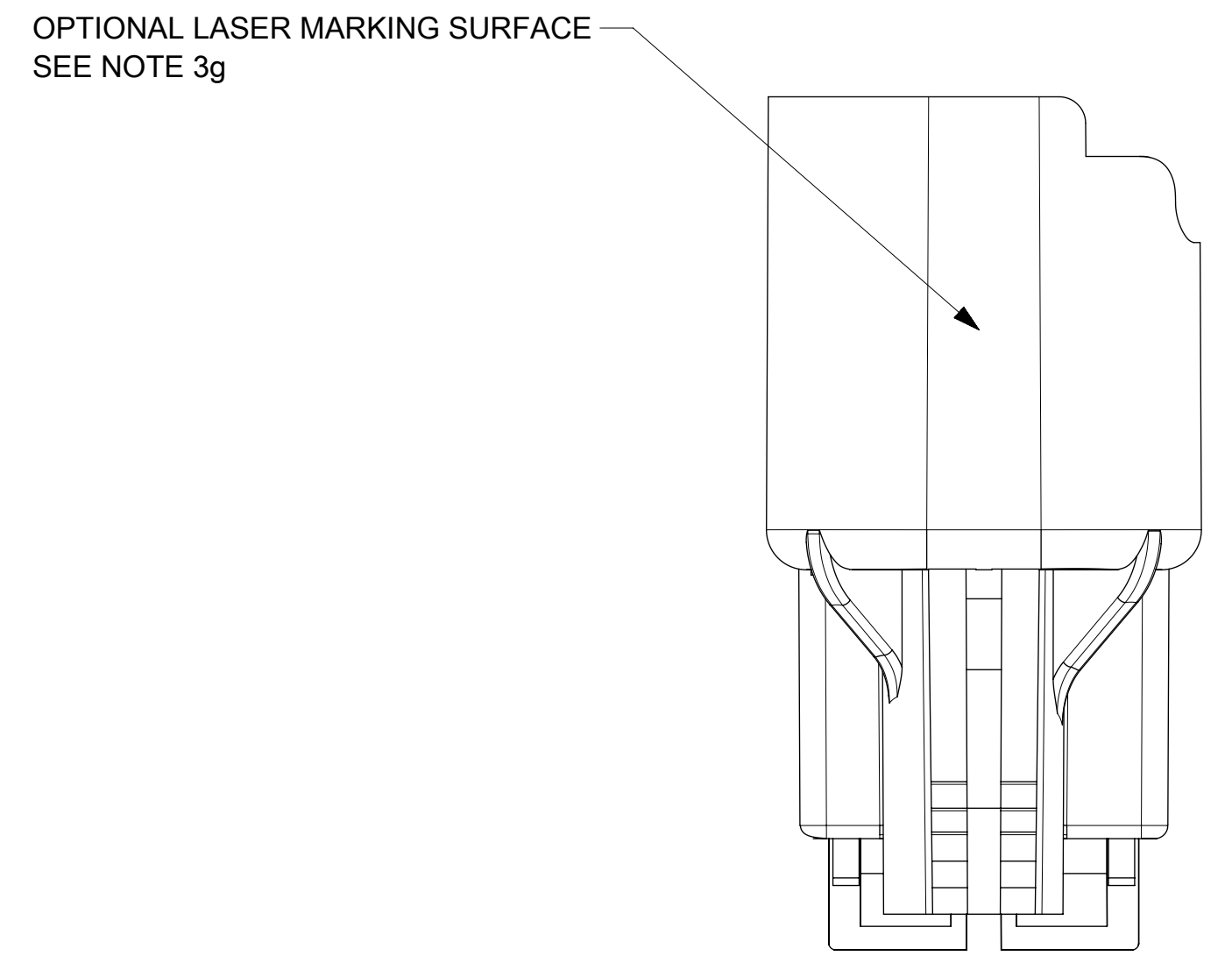
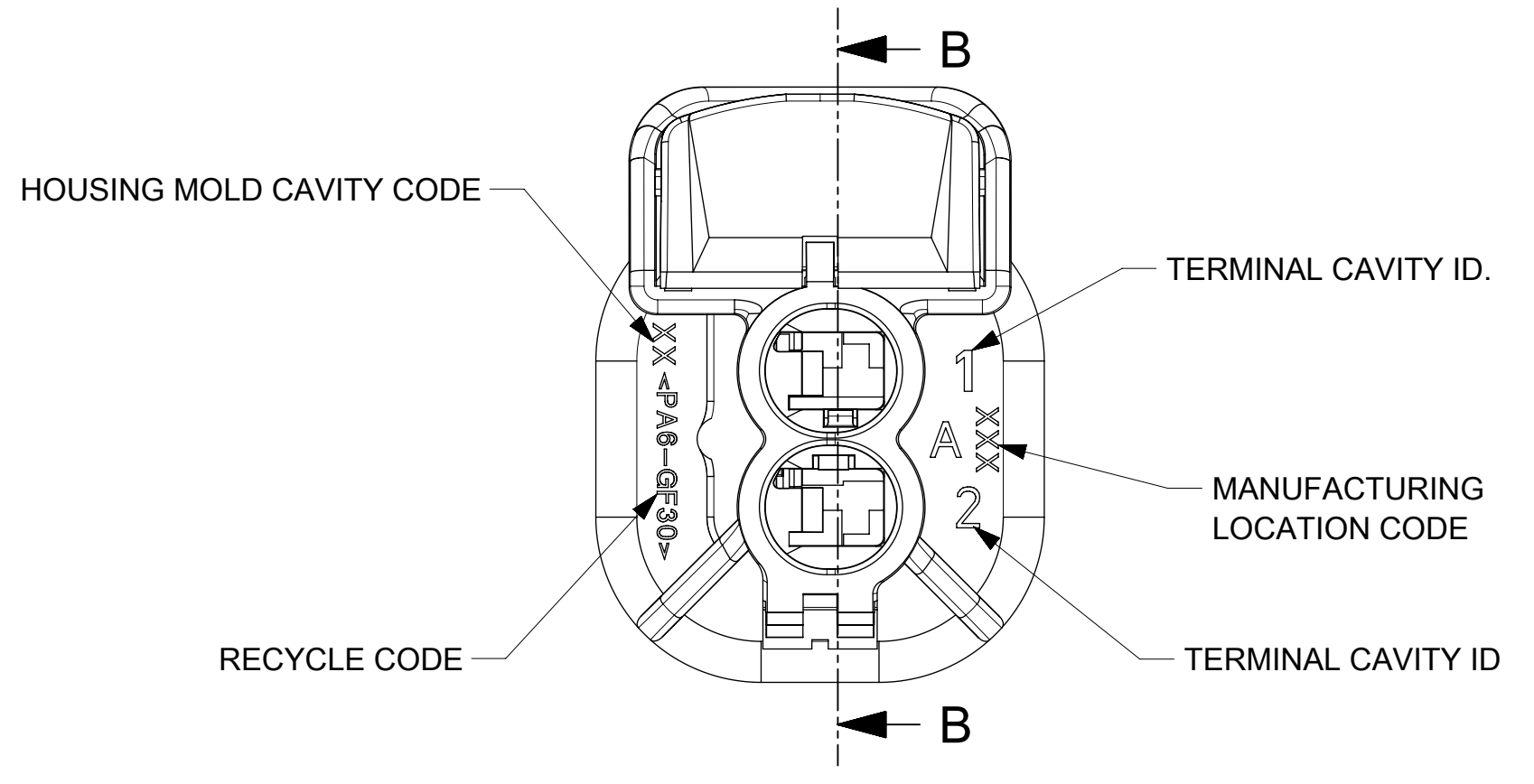
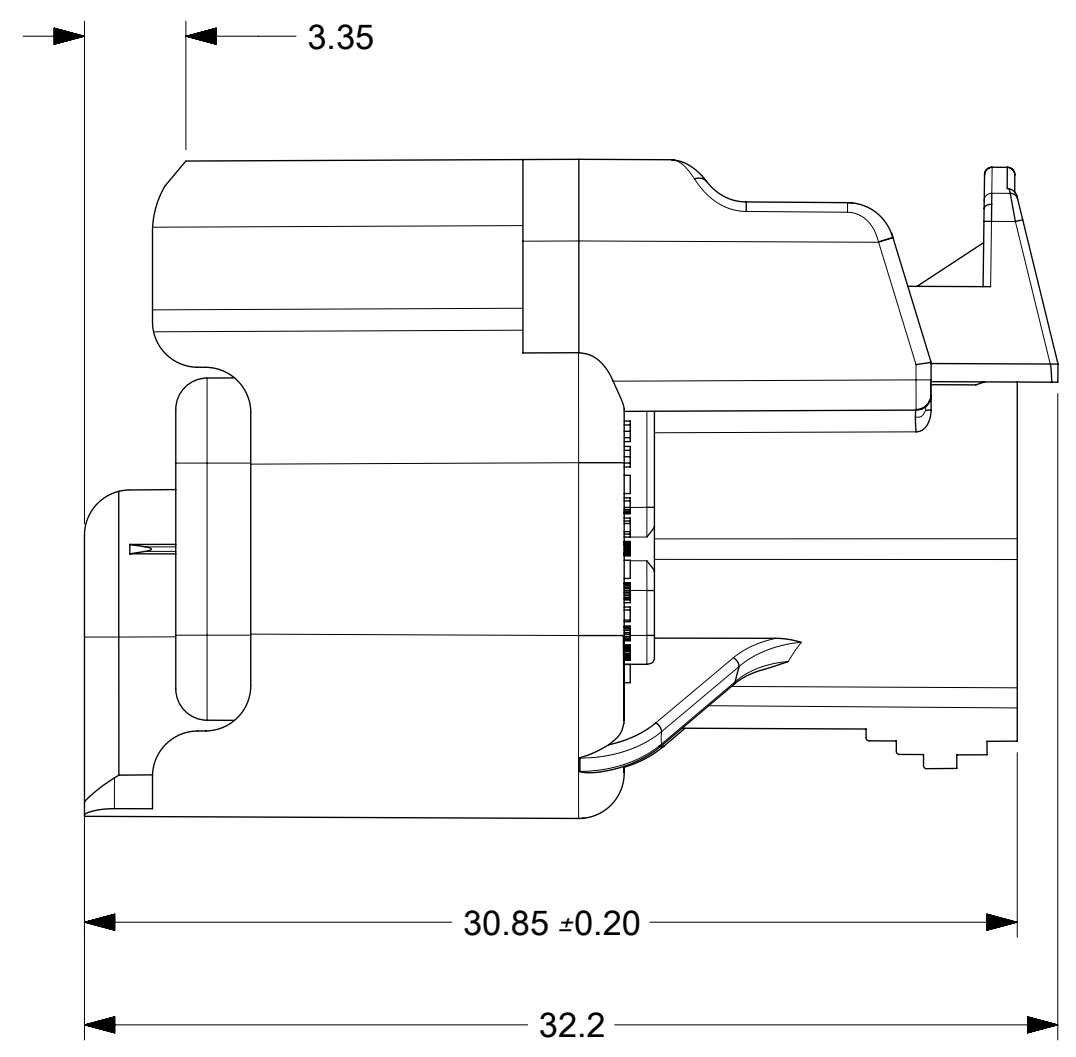
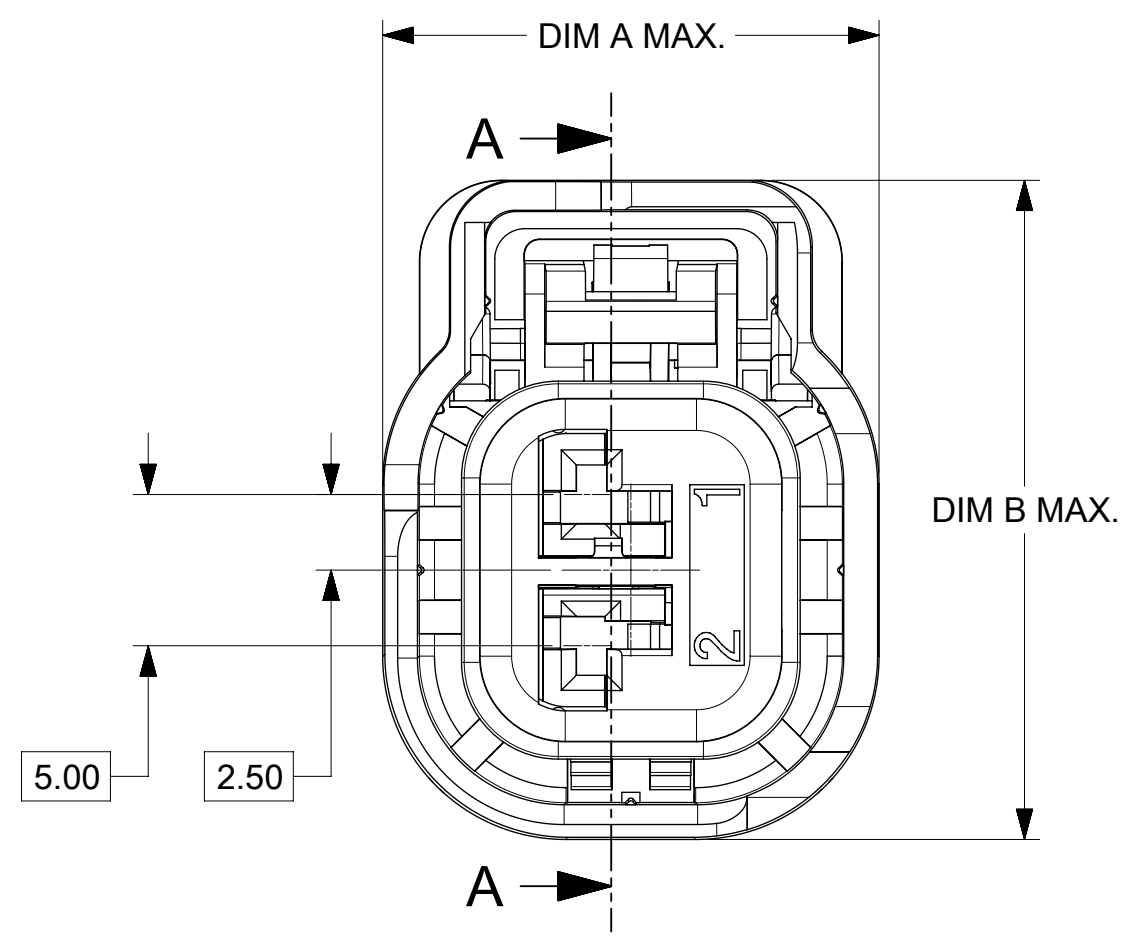
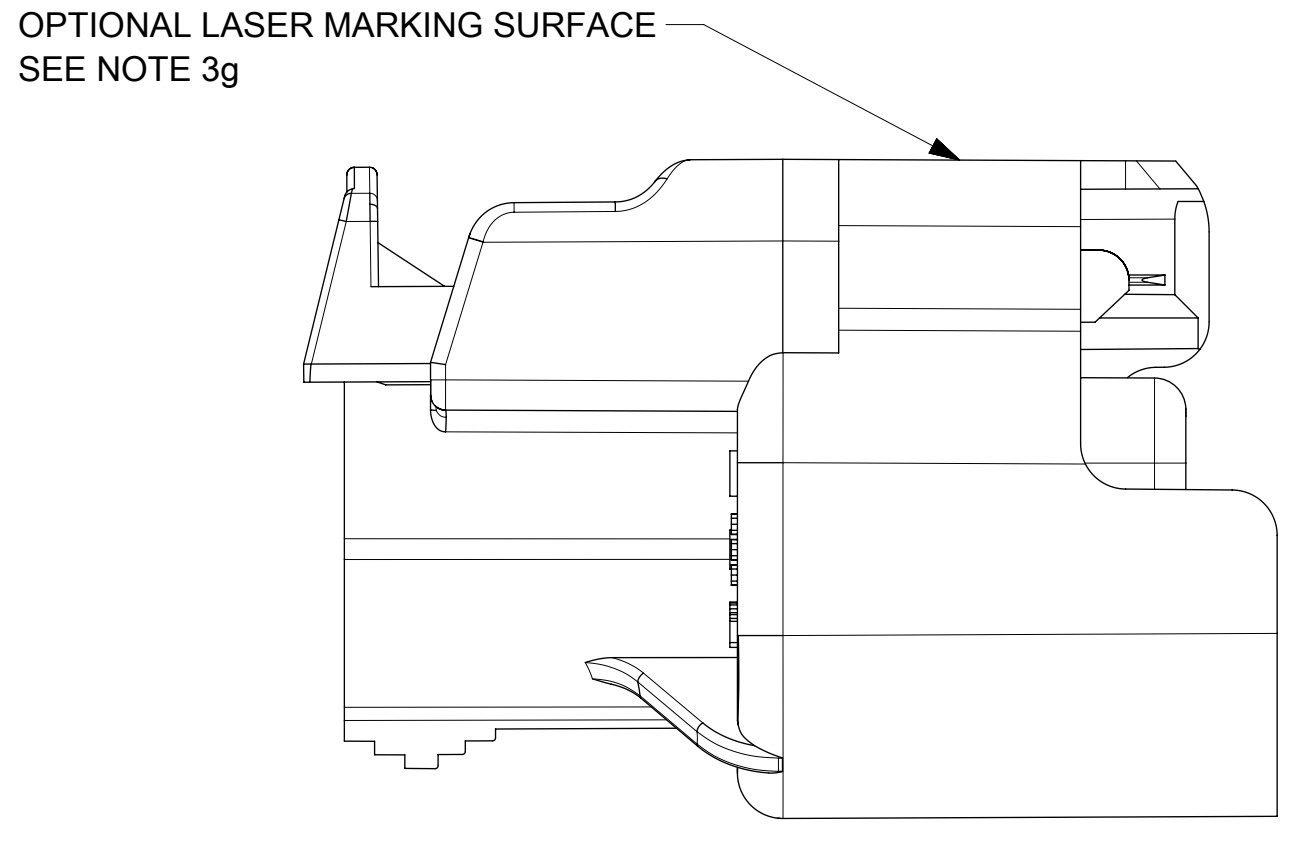


\* WITH CLIP-SLOT CONFIGURATIONS  
DO NOT MEET USCAR PACKAGING FRAME REQUIREMENTS

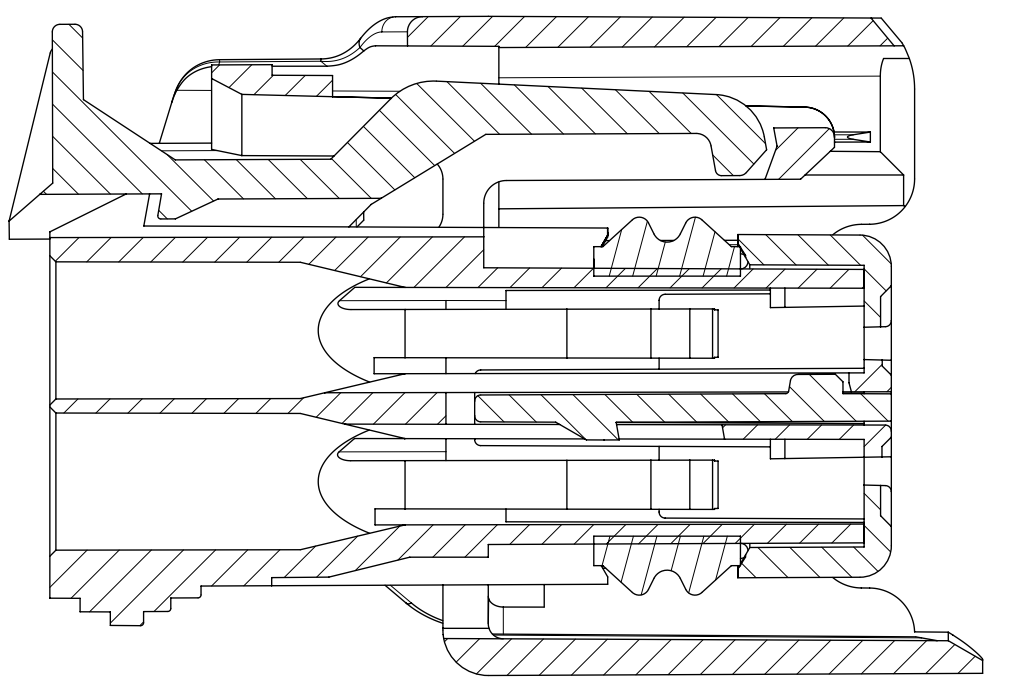
<b>QUALITY SYMBOLS</b> 	THIS DRAWING CONTAINS INFORMATION THAT IS PROPRIETARY TO MOLEX ELECTRONIC TECHNOLOGIES, LLC AND SHOULD NOT BE USED WITHOUT WRITTEN PERMISSION												
	EC NO: 117955	DRWN: PKABBUR	CHKD: KDEKOSKI	REV: APPR: KDEKOSKI	2017/05/15	2017/06/14	GENERAL TOLERANCES (UNLESS SPECIFIED)	DIMENSION UNITS	SCALE				
	4 PLACES ±		3 PLACES ±		2 PLACES ± 0.1		MM		2:1				
	1 PLACE ± 0.3		0 PLACES ±		DRAFT WHERE APPLICABLE MUST REMAIN WITHIN DIMENSIONS		ANGULAR TOL ± 3.0 °		DRWN BY	DATE	MX150 2 WAY CABLE SEAL RECEPTACLE CONN. SYSTEM (5.0MM PITCH)		
	DRAFT WHERE APPLICABLE MUST REMAIN WITHIN DIMENSIONS		DRAFT WHERE APPLICABLE MUST REMAIN WITHIN DIMENSIONS		DRAFT WHERE APPLICABLE MUST REMAIN WITHIN DIMENSIONS		DRAFT WHERE APPLICABLE MUST REMAIN WITHIN DIMENSIONS		KCUNNINGHAM	2011/11/08			
	DRAFT WHERE APPLICABLE MUST REMAIN WITHIN DIMENSIONS		DRAFT WHERE APPLICABLE MUST REMAIN WITHIN DIMENSIONS		DRAFT WHERE APPLICABLE MUST REMAIN WITHIN DIMENSIONS		DRAFT WHERE APPLICABLE MUST REMAIN WITHIN DIMENSIONS		CHKD BY	DATE	PRODUCT CUSTOMER DRAWING		
	DRAFT WHERE APPLICABLE MUST REMAIN WITHIN DIMENSIONS		DRAFT WHERE APPLICABLE MUST REMAIN WITHIN DIMENSIONS		DRAFT WHERE APPLICABLE MUST REMAIN WITHIN DIMENSIONS		DRAFT WHERE APPLICABLE MUST REMAIN WITHIN DIMENSIONS		MVANSLAMBROU	1/26/2012			
	DRAFT WHERE APPLICABLE MUST REMAIN WITHIN DIMENSIONS		DRAFT WHERE APPLICABLE MUST REMAIN WITHIN DIMENSIONS		DRAFT WHERE APPLICABLE MUST REMAIN WITHIN DIMENSIONS		DRAFT WHERE APPLICABLE MUST REMAIN WITHIN DIMENSIONS		APPR BY	DATE	SERIES	MATERIAL NUMBER	CUSTOMER
	DRAFT WHERE APPLICABLE MUST REMAIN WITHIN DIMENSIONS		DRAFT WHERE APPLICABLE MUST REMAIN WITHIN DIMENSIONS		DRAFT WHERE APPLICABLE MUST REMAIN WITHIN DIMENSIONS		DRAFT WHERE APPLICABLE MUST REMAIN WITHIN DIMENSIONS		KDEKOSKI	2017/06/14	34062	SEE NOTE 2a	GENERAL MARKET
	DRAFT WHERE APPLICABLE MUST REMAIN WITHIN DIMENSIONS		DRAFT WHERE APPLICABLE MUST REMAIN WITHIN DIMENSIONS		DRAFT WHERE APPLICABLE MUST REMAIN WITHIN DIMENSIONS		DRAFT WHERE APPLICABLE MUST REMAIN WITHIN DIMENSIONS		DRAWING SIZE	THIRD ANGLE PROJECTION	DOCUMENT NUMBER	DOC TYPE	DOC PART
DRAFT WHERE APPLICABLE MUST REMAIN WITHIN DIMENSIONS		DRAFT WHERE APPLICABLE MUST REMAIN WITHIN DIMENSIONS		DRAFT WHERE APPLICABLE MUST REMAIN WITHIN DIMENSIONS		DRAFT WHERE APPLICABLE MUST REMAIN WITHIN DIMENSIONS		D		SD-34062-002	PSD	000	3 OF 5

SHEET DESCRIPTION	
RECEPTACLE CONNECTOR ASSEMBLY	

CHARTED DIMENSIONS		
CONFIGURATIONS	DIMENSIONS	
	A	B
OPTIONS A, C, D	16.6	22.0
OPTION B	16.6	23.9
OPTION E	20.2	23.9
OPTION F	16.6	23.9
OPTION G	18.4	22.0
OPTIONS A, C, D W/CLIP-SLOT	19.2	22.0
OPTION B W/CLIP-SLOT	19.2	23.9



**SECTION A-A**  
TPA SHOWN IN THE  
PRE-STAGED POSITION



**SECTION B-B**  
TPA SHOWN IN  
FINAL-LOCK POSITION

THIS DRAWING CONTAINS INFORMATION THAT IS PROPRIETARY TO MOLEX ELECTRONIC TECHNOLOGIES, LLC AND SHOULD NOT BE USED WITHOUT WRITTEN PERMISSION											
QUALITY SYMBOLS		2017/05/15		2017/06/14		GENERAL TOLERANCES (UNLESS SPECIFIED)		DIMENSION UNITS		SCALE	
▽ = 0	▽ = 0	▽ = 0	▽ = 0	▽ = 0	▽ = 0	▽ = 0	▽ = 0	MM	4:1		
▽ = 0	▽ = 0	▽ = 0	▽ = 0	▽ = 0	▽ = 0	▽ = 0	▽ = 0	ANGULAR TOL ± 3.0 °	DRWN BY	DATE	
▽ = 0	▽ = 0	▽ = 0	▽ = 0	▽ = 0	▽ = 0	▽ = 0	▽ = 0	4 PLACES ±	KCUNNINGHAM	2011/11/08	
▽ = 0	▽ = 0	▽ = 0	▽ = 0	▽ = 0	▽ = 0	▽ = 0	▽ = 0	3 PLACES ±	CHKD BY	DATE	
▽ = 0	▽ = 0	▽ = 0	▽ = 0	▽ = 0	▽ = 0	▽ = 0	▽ = 0	2 PLACES ± 0.1	MVANSLAMBROU	1/26/2012	
▽ = 0	▽ = 0	▽ = 0	▽ = 0	▽ = 0	▽ = 0	▽ = 0	▽ = 0	1 PLACE ± 0.3	APPR BY	DATE	
▽ = 0	▽ = 0	▽ = 0	▽ = 0	▽ = 0	▽ = 0	▽ = 0	▽ = 0	0 PLACES ±	KDEKOSKI	2017/06/14	
▽ = 0	▽ = 0	▽ = 0	▽ = 0	▽ = 0	▽ = 0	▽ = 0	▽ = 0	DRAFT WHERE APPLICABLE MUST REMAIN WITHIN DIMENSIONS	DRAWING SIZE	THIRD ANGLE PROJECTION	
▽ = 0	▽ = 0	▽ = 0	▽ = 0	▽ = 0	▽ = 0	▽ = 0	▽ = 0	D	⊕		
EC NO: 117955		DRWN: PKABBUR		CHKD: KDEKOSKI		REV: APPR: KDEKOSKI		SERIES		MATERIAL NUMBER	
J19								34062		SEE NOTE 2a	
RELEASE STATUS		RELEASE DATE		DOCUMENT NUMBER		DOC TYPE		DOC PART		SHEET NUMBER	
				SD-34062-002		PSD		000		4 OF 5	



MX150 2 WAY CABLE SEAL  
RECEPTACLE CONN. SYSTEM (5.0MM PITCH)

PRODUCT CUSTOMER DRAWING

GENERAL MARKET

DATUM A 4X 7.50 (ICD 35) SEE DETAIL 2

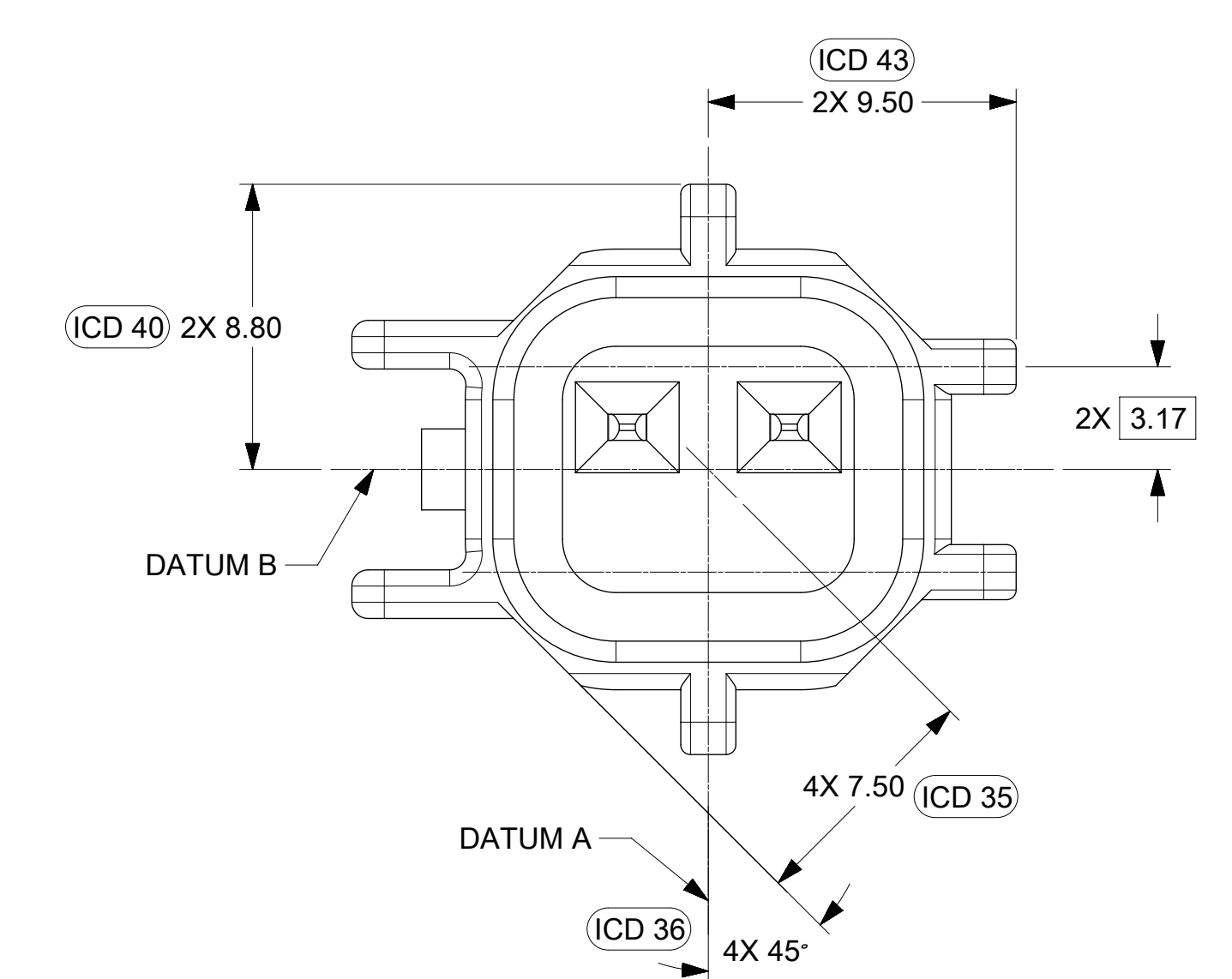
(ICD 36) 4X 45°

OPTION B

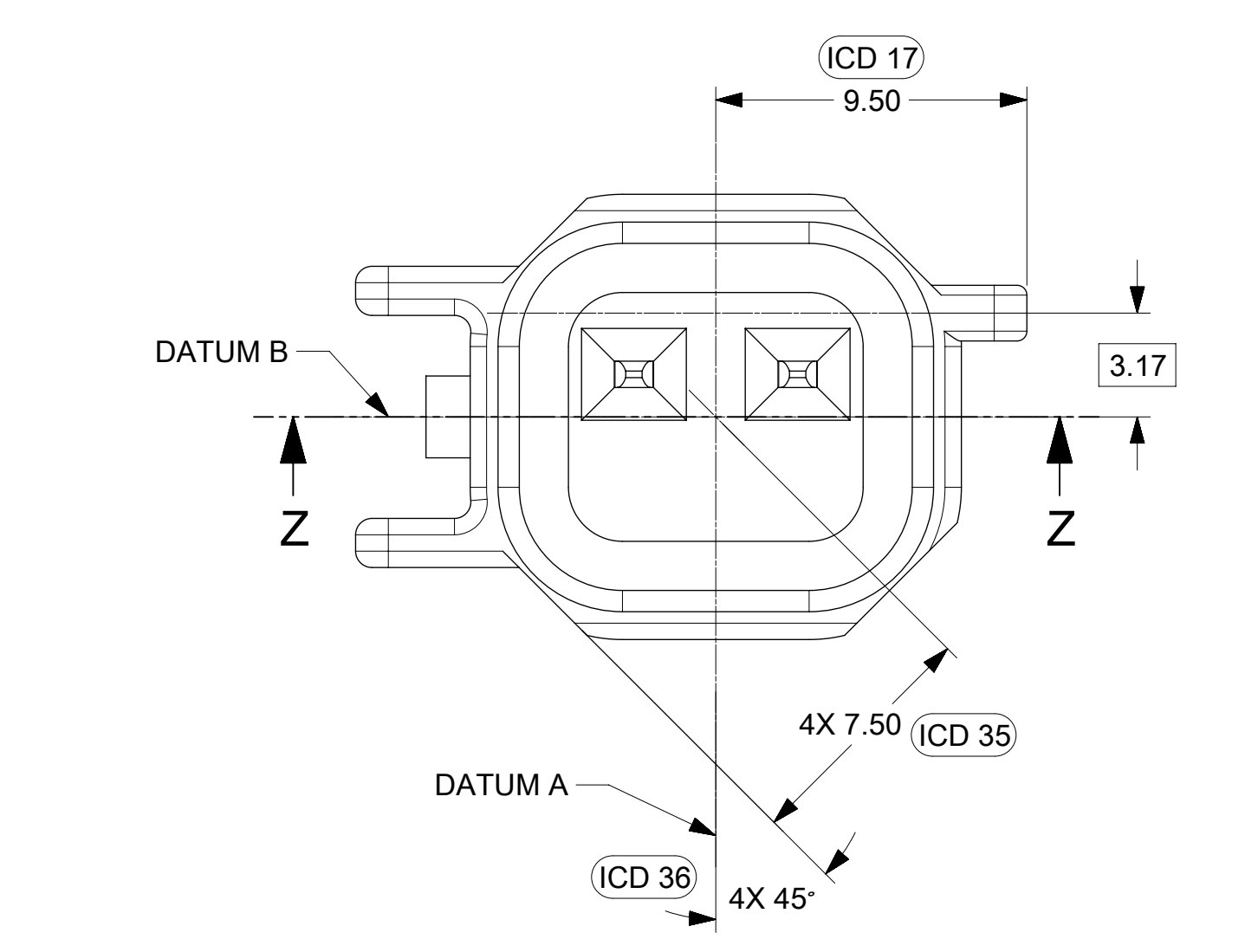
4X 7.50 (ICD 35)

(ICD 36) 4X 45°

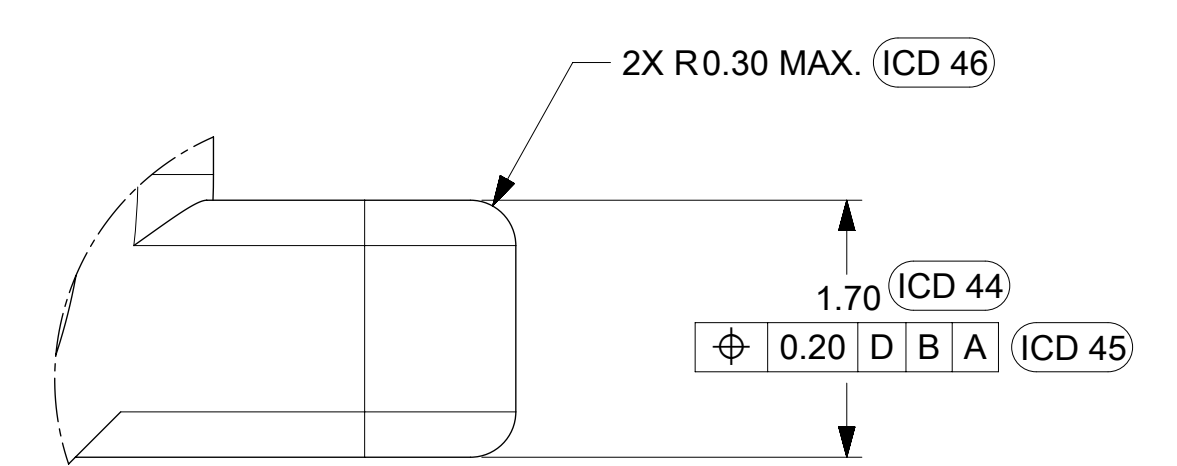
OPTION H



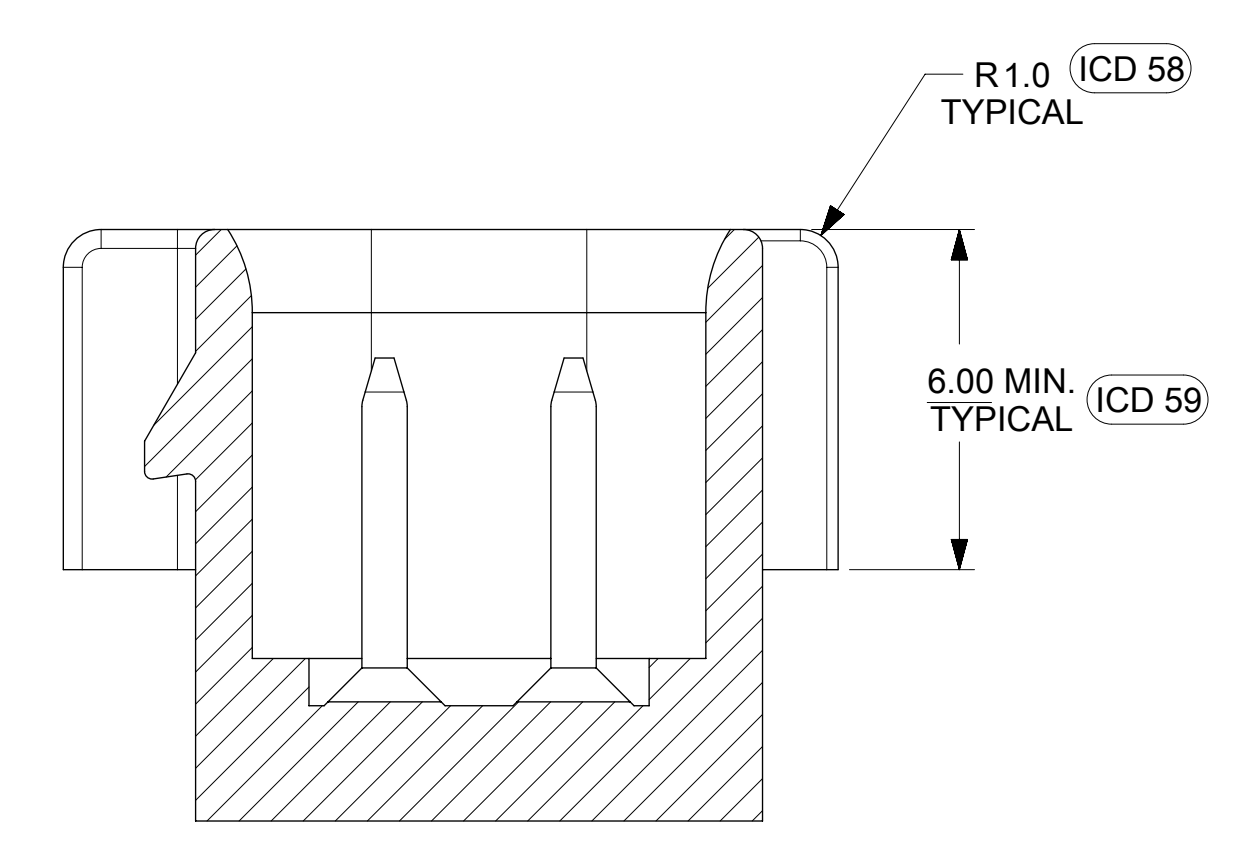
OPTION E



OPTION F



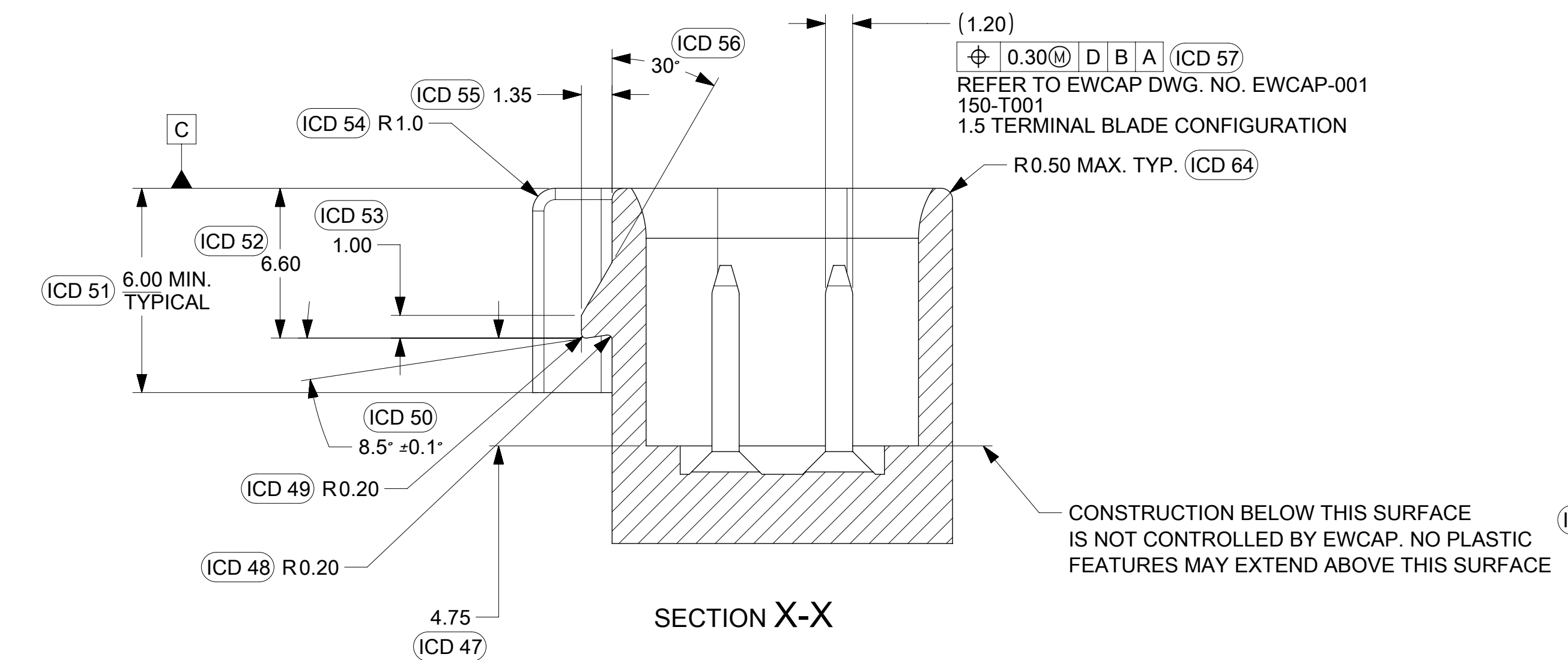
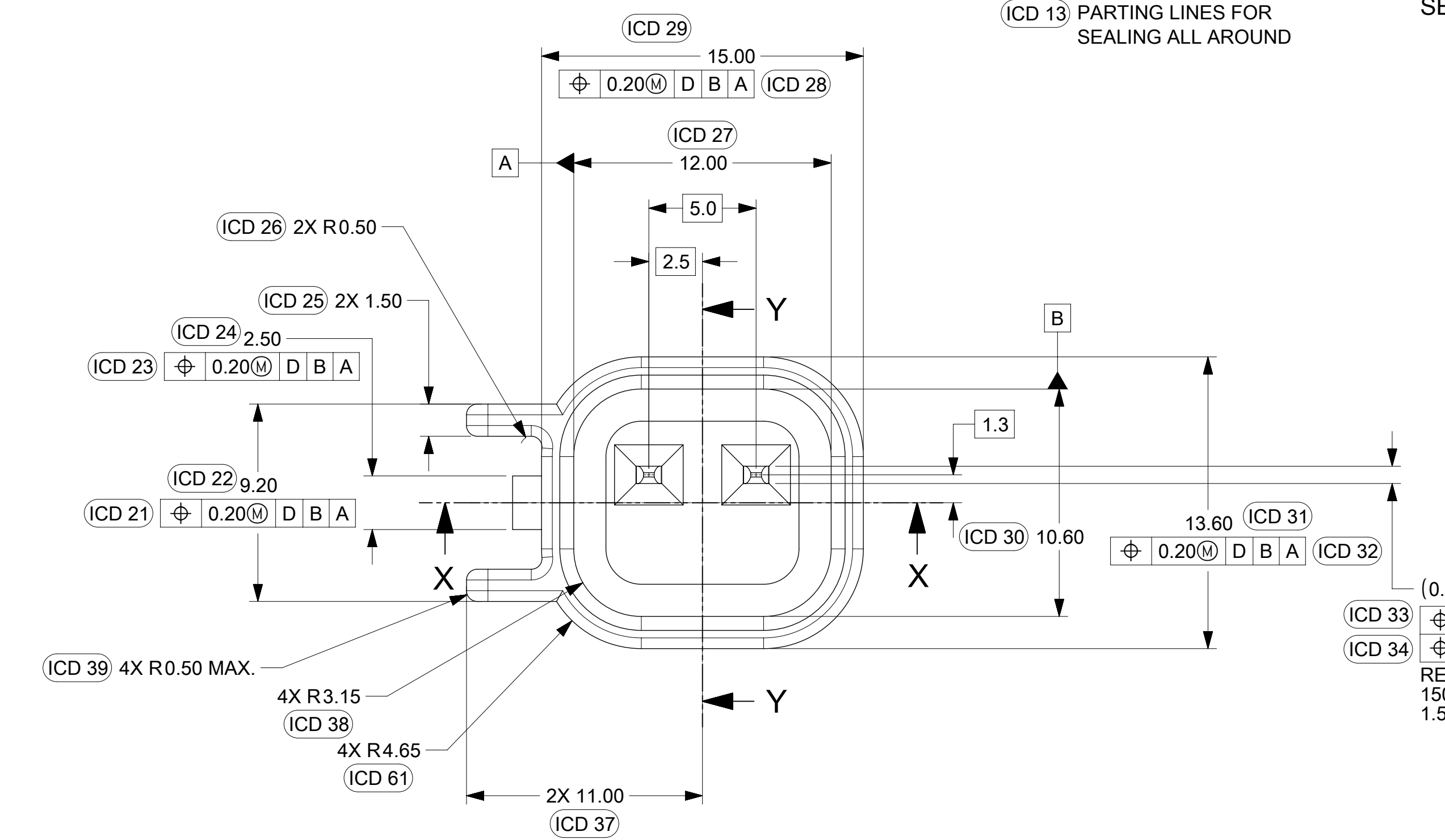
DETAIL 2  
 SCALE 20:1  
 TYPICAL  
 SEE KEYING OPTIONS VIEWS FOR POSITIONS



SECTION Z-Z  
 SEE KEYING OPTION VIEWS FOR POSITIONS

SCALE 10:1

(ICD 13) SURFACE MUST BE FREE OF SURFACE DEFECTS AND PARTING LINES FOR SEALING ALL AROUND



SECTION X-X

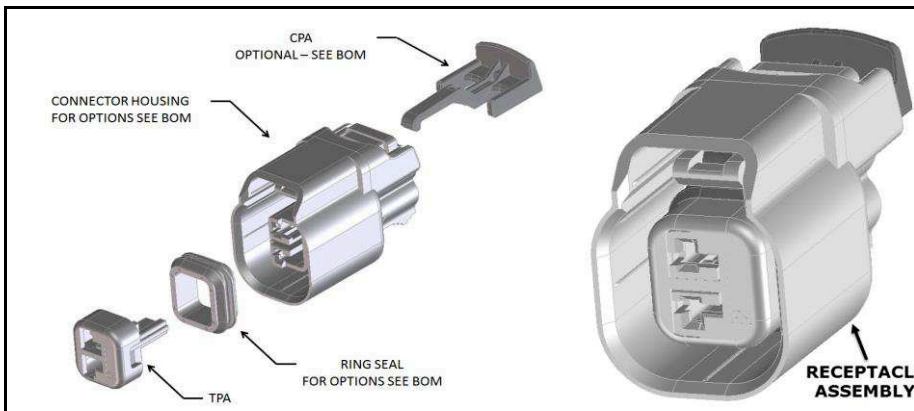
CONSTRUCTION BELOW THIS SURFACE IS NOT CONTROLLED BY EWCAP. NO PLASTIC FEATURES MAY EXTEND ABOVE THIS SURFACE

A, C, D	BLACK	A	
B	LIGHT GRAY	B	
E	BLACK	E	NOT RECOMMENDED MATING CONNECTOR IS UNIVERSAL
F	LIGHT GRAY	D	
G	BLACK	C	
H	LIGHT GRAY	F	
OPTION	COLOR	SIMILAR TO AFL DRAWING R63461 (OPTION GEOMETRY IDENTICAL)	
RELEASE STATUS	RELEASE DATE	COMMENTS	

QUALITY SYMBOLS FA = 0 FE = 0 FB = 0 FV = 0 FC = 0 FX = 0 FS = 0 FT = 0	THIS DRAWING CONTAINS INFORMATION THAT IS PROPRIETARY TO MOLE		DIMENSION UNITS	SCALE
	EC NO: 117955 DRWN: PKABBUR CHK'D: KDEKOSKI APPR: KDEKOSKI	2017/05/15 2017/06/14	GENERAL TOLERANCES (UNLESS SPECIFIED) ANGULAR TOL ± 3.0 ° 4 PLACES ± 3 PLACES ± 2 PLACES ± 0.1 1 PLACE ± 0.3 0 PLACES ± DRAFT WHERE APPLICABLE MUST REMAIN WITHIN DIMENSIONS	MM
J19		DRWN BY: KCUNNINGHAM CHK'D BY: MVANSLAMBROU APPR BY: KDEKOSKI	DATE	THIRD ANGL



**MX150 2 WAY CABLE SEAL RECEPTACLE CONNECTION SYSTEM (5.0mm PITCH)  
BOM AND PIN OUT SHEET**



ABBREVIATION	RECOMMENDED MATING DEVICE DESCRIPTION	PARTING INFORMATION	ADDITIONAL INFORMATION
1	USCAR INTERFACE	150-S-002-1-001	<a href="http://www.mo.com/usa/150-s-002-1-001">http://www.mo.com/usa/150-s-002-1-001</a>
2	MOLEX INTERFACE SHEET 5	SD-34062-002 SHEET 5	
3	MOLEX INLINE MALE CONNECTOR	E-34675-001	

ABBREVIATION	DESCRIPTION	BM/ APPLICABLE COMPONENTS TABLE	COLOR	MATERIAL
A-RLA	HOUSING OPTION A		BLACK	PAG GF30
B-LG	HOUSING OPTION B		LIGHT GRAY	PAG GF30
B-RLA	HOUSING OPTION B		BLACK	PAG GF30
C-RLA	HOUSING OPTION C		BLACK	PAG GF30
D-RLA	HOUSING OPTION D		BLACK	PAG GF30
D-LG	HOUSING OPTION D		LIGHT GRAY	PAG GF30
E-RLA	HOUSING OPTION E		BLACK	PAG GF30
F-LG	HOUSING OPTION F		LIGHT GRAY	PAG GF30
C-RLA	HOUSING OPTION C		BLACK	PAG GF30
A-RLA-CLIP	HOUSING OPTION A WITH CLIPSLOT		BLACK	PAG GF30
B-LG-CLIP	HOUSING OPTION B WITH CLIPSLOT		LIGHT GRAY	PAG GF30
B-RLA-CLIP	HOUSING OPTION B WITH CLIPSLOT		BLACK	PAG GF30
C-RLA-CLIP	HOUSING OPTION C WITH CLIPSLOT		BLACK	PAG GF30
D-RLA-CLIP	HOUSING OPTION D WITH CLIPSLOT		BLACK	PAG GF30
D-LG-CLIP	HOUSING OPTION D WITH CLIPSLOT		LIGHT GRAY	PAG GF30
A-RLA-SV	HOUSING OPTION A - SEVERE VIBRATION		BLACK	PAG GF30
C-RLA-SV	HOUSING OPTION C - SEVERE VIBRATION		BLACK	PAG GF30
D-RLA-SV	HOUSING OPTION D - SEVERE VIBRATION		BLACK	PAG GF30
RS	RING SEAL TEMP. CLASS 2		MEDIUM BLUE	INHERENTLY LUBRICATED SILICONE
RI	RING SEAL TEMP. CLASS 4		GREEN	INHERENTLY LUBRICATED SILICONE
CPA	CPA		RED	PBT GF30
TPA	TPA		NATURAL	PBT GF30

FOR ADDITIONAL INFORMATION SEE SD-34062-002

ASSEMBLY DESCRIPTION	ASSEMBLY PART NUMBER	COMPONENT				RECOMMENDED MATING DEVICE	1	2	3	PRODUCTION TOOL STATUS	COMMENTS
		THE PRESENCE OF AN ABBREVIATION INDICATES THE PRESENCE OF THAT COMPONENT.									
		HOUSING OPTION/COLOR	TPA	CPA	RING SEAL						
OPTION A, BLACK, W/O CPA	34062-0021	A-RLA	TPA	RS	SD-34062-002	1	2		SM LAR 4	PREPARED, FULLY SHIPPED	
OPTION B, LIGHT GRAY, W/O CPA	34062-0022	B-LG	TPA	RS	SD-34062-002	1	2	3	SM LAR 4	PREPARED, FULLY SHIPPED	
OPTION C, BLACK, W/O CPA	34062-0023	C-RLA	TPA	RS	SD-34062-002	1	2	3	SM LAR 4	PREPARED, FULLY SHIPPED	
OPTION D, BLACK, W/O CPA	34062-0024	D-RLA	TPA	RS	SD-34062-002	1	2		SM LAR 4	PREPARED, FULLY SHIPPED	
OPTION A, LIGHT GRAY, W/O CPA	34062-0025	A-RLA	TPA	CPA	SD-34062-002	1	2		SM LAR 4	PREPARED, FULLY SHIPPED	
OPTION B, LIGHT GRAY, W/O CPA	34062-0026	B-LG	TPA	CPA	SD-34062-002	1	2	3	SM LAR 4	PREPARED, FULLY SHIPPED	
OPTION C, BLACK, W/O CPA	34062-0027	C-RLA	TPA	CPA	SD-34062-002	1	2	3	SM LAR 4	PREPARED, FULLY SHIPPED	
OPTION D, BLACK, W/O CPA	34062-0028	D-RLA	TPA	CPA	SD-34062-002	1	2		SM LAR 4	PREPARED, FULLY SHIPPED	
OPTION B, LIGHT GRAY, W/O CPA	34062-0029	B-LG	TPA	CPA	SD-34062-002	1	2		SM LAR 4	PREPARED, FULLY SHIPPED	
OPTION A, BLACK, WITH CLIPSLOT, W/O CPA	34062-0031	A-RLA-CLIP	TPA	RS	SD-34062-002	1	2		SM LAR 4	PREPARED, FULLY SHIPPED	
OPTION B, LIGHT GRAY, WITH CLIPSLOT, W/O CPA	34062-0032	B-LG-CLIP	TPA	RS	SD-34062-002	1	2	3	SM LAR 4	PREPARED, FULLY SHIPPED	
OPTION C, BLACK, WITH CLIPSLOT, W/O CPA	34062-0033	C-RLA-CLIP	TPA	RS	SD-34062-002	1	2		SM LAR 4	PREPARED, FULLY SHIPPED	
OPTION D, BLACK, WITH CLIPSLOT, W/O CPA	34062-0034	D-RLA-CLIP	TPA	RS	SD-34062-002	1	2		SM LAR 4	PREPARED, FULLY SHIPPED	
OPTION B, LIGHT GRAY, WITH CLIPSLOT, W/O CPA	34062-0035	B-LG-CLIP	TPA	RS	SD-34062-002	1	2		SM LAR 4	PREPARED, FULLY SHIPPED	
OPTION A, BLACK, WITH CLIPSLOT, W/O CPA	34062-0036	A-RLA-CLIP	TPA	CPA	SD-34062-002	1	2	3	SM LAR 4	PREPARED, FULLY SHIPPED	
OPTION B, LIGHT GRAY, WITH CLIPSLOT, W/O CPA	34062-0037	B-LG-CLIP	TPA	CPA	SD-34062-002	1	2	3	SM LAR 4	PREPARED, FULLY SHIPPED	
OPTION C, BLACK, WITH CLIPSLOT, W/O CPA	34062-0038	C-RLA-CLIP	TPA	CPA	SD-34062-002	1	2	3	SM LAR 4	PREPARED, FULLY SHIPPED	
OPTION D, BLACK, WITH CLIPSLOT, W/O CPA	34062-0039	D-RLA-CLIP	TPA	CPA	SD-34062-002	1	2		SM LAR 4	PREPARED, FULLY SHIPPED	
OPTION A, LIGHT GRAY, WITH CLIPSLOT, W/O CPA	34062-0040	B-LG-CLIP	TPA	CPA	SD-34062-002	1	2		SM LAR 4	PREPARED, FULLY SHIPPED	
OPTION A, BLACK, SEVERE VIBRATION, W/O CPA	34062-0046	A-RLA-SV	TPA	RS	SD-34062-002	1	2		SM LAR 4	PREPARED, FULLY SHIPPED	
OPTION C, BLACK, SEVERE VIBRATION, W/O CPA	34062-0048	C-RLA-SV	TPA	CPA	SD-34062-002	1	2		SM LAR 4	PREPARED, FULLY SHIPPED	
OPTION B, LIGHT GRAY, SEVERE VIBRATION, W/O CPA	34062-0049	B-LG-SV	TPA	CPA	SD-34062-002	1	2		SM LAR 4	PREPARED, FULLY SHIPPED	
OPTION A, BLACK, W/O CPA	34062-0041	A-RLA	TPA	RS	SD-34062-002	1	2		SM LAR 4	PREPARED, FULLY SHIPPED	
OPTION B, LIGHT GRAY, W/O CPA	34062-0042	B-LG	TPA	RS	SD-34062-002	1	2		SM LAR 4	PREPARED, FULLY SHIPPED	
OPTION C, BLACK, W/O CPA	34062-0043	C-RLA	TPA	RS	SD-34062-002	1	2		SM LAR 4	PREPARED, FULLY SHIPPED	
OPTION D, BLACK, W/O CPA	34062-0044	D-RLA	TPA	RS	SD-34062-002	1	2		SM LAR 4	PREPARED, FULLY SHIPPED	
OPTION A, LIGHT GRAY, W/O CPA	34062-0045	B-LG	TPA	CPA	SD-34062-002	1	2		SM LAR 4	PREPARED, FULLY SHIPPED	
OPTION C, BLACK, W/O CPA	34062-0046	C-RLA	TPA	CPA	SD-34062-002	1	2		SM LAR 4	PREPARED, FULLY SHIPPED	
OPTION B, LIGHT GRAY, W/O CPA	34062-0047	B-LG	TPA	CPA	SD-34062-002	1	2	3	SM LAR 4	PREPARED, FULLY SHIPPED	
OPTION A, BLACK, W/O CPA	34062-0048	B-LG	TPA	RS	SD-34062-002	1	2		SM LAR 4	PREPARED, FULLY SHIPPED	
OPTION C, BLACK, W/O CPA	34062-0049	C-RLA	TPA	RS	SD-34062-002	1	2		SM LAR 4	PREPARED, FULLY SHIPPED	
OPTION B, LIGHT GRAY, W/O CPA	34062-0050	B-LG-CLIP	TPA	CPA	SD-34062-002	1	2	3	SM LAR 4	PREPARED, FULLY SHIPPED	
OPTION C, BLACK, WITH CLIPSLOT, W/O CPA	34062-0053	C-RLA-CLIP	TPA	CPA	SD-34062-002	1	2	3	SM LAR 4	PREPARED, FULLY SHIPPED	
OPTION D, LIGHT GRAY, WITH CLIPSLOT, W/O CPA	34062-0054	D-RLA-CLIP	TPA	CPA	SD-34062-002	1	2	3	SM LAR 4	PREPARED, FULLY SHIPPED	
OPTION C, BLACK, WITH CLIPSLOT, W/O CPA	34062-0055	C-RLA-CLIP	TPA	CPA	SD-34062-002	1	2	3	SM LAR 4	PREPARED, FULLY SHIPPED	
OPTION D, BLACK, SEVERE VIBRATION, W/O CPA	34062-0063	D-RLA-SV	TPA	RS	SD-34062-002	1	2		SM LAR 4	PREPARED, FULLY SHIPPED	
OPTION B, LIGHT GRAY, SEVERE VIBRATION, W/O CPA	34062-0064	B-LG-SV	TPA	CPA	SD-34062-002	1	2		SM LAR 4	PREPARED, FULLY SHIPPED	
OPTION A, BLACK, WITH CLIPSLOT, W/O CPA	34062-0067	A-RLA-CLIP	TPA	CPA	SD-34062-002	1	2		SM LAR 4	PREPARED, FULLY SHIPPED	
OPTION C, BLACK, W/O CPA	34062-0068	C-RLA	TPA	RS	SD-34062-002	1	2	3	NOT VALIDATED	PREPARED, FULLY SHIPPED	
OPTION D, BLACK, W/O CPA	34062-0069	D-RLA	TPA	RS	SD-34062-002	1	2	3	NOT VALIDATED	PREPARED, FULLY SHIPPED	
OPTION B, BLACK, WITH CLIPSLOT, W/O CPA	34062-0060	B-RLA-CLIP	TPA	CPA	SD-34062-002	1	2	3	NOT VALIDATED	PREPARED, FULLY SHIPPED	
OPTION B, BLACK, WITH CLIPSLOT, W/O CPA	34062-0061	B-RLA-CLIP	TPA	CPA	SD-34062-002	1	2	3	NOT VALIDATED	PREPARED, FULLY SHIPPED	

## X-ON Electronics

Largest Supplier of Electrical and Electronic Components

*Click to view similar products for [Automotive Connectors](#) category:*

*Click to view products by [Molex](#) manufacturer:*

Other Similar products are found below :

[003-018-000](#) [600858](#) [60403001](#) [60993906-B](#) [60993913-B](#) [629515004020001](#) [M902-2131](#) [M902-2161](#) [M902-2344](#) [72.330.1035.1](#)  
[73.353.4028.0](#) [F118010](#) [F119300-B](#) [F132210](#) [F132210-B](#) [F166900](#) [F180100](#) [F258300](#) [F258300-B](#) [F294300-B](#) [F339100](#) [F339700](#) [F358300-](#)  
[B](#) [F374110](#) [F407400](#) [F412210](#) [F427600](#) [F444110](#) [F487000](#) [F495100-B](#) [F500900-B](#) [F509500B-B](#) [770444-1](#) [776880-1](#) [827153-1](#) [881735-1](#)  
[8N1515-32-24P](#) [9-1326729-8](#) [925467-1](#) [925474-1](#) [928905-1](#) [936398-2](#) [964562-1](#) [964562-4](#) [964731-2](#) [965051-1](#) [968782-1](#) [GT17SA-8DS-](#)  
[HU](#) [GT17VS-10DP-5.2CF](#) [98315-0001](#)