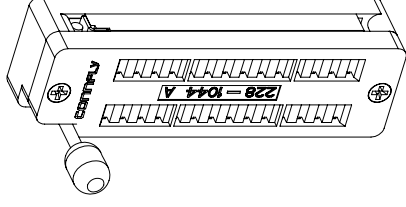
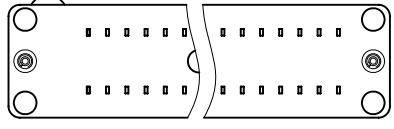
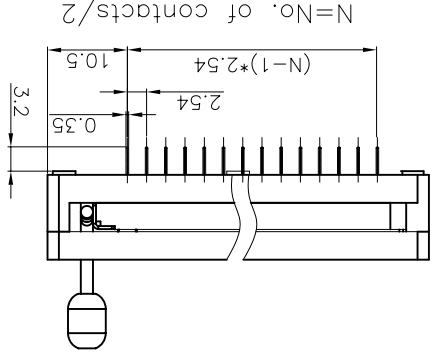
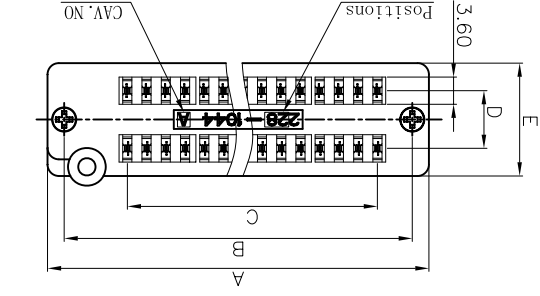


REV.	DESCRIPTION	DRAWN	CHECKED	APPROVED
A	NEW RELEASE	DMJ 06/07/07	~	LJC 06/07/07
B	修改表格尺寸	YCH 09/17/07	~	

Positions	A	B	C	D	E
14	32.6	28.2	15.24	7.62	14.9
16	35.1	30.7	17.78	7.62	14.9
20	40.2	35.8	22.86	7.62	14.9
24	45.3	40.9	27.94	7.62	14.9
28	50.4	46.0	33.02	7.62	14.9
32	55.5	51.1	38.10	15.24	22.9
40	65.6	61.2	48.26	15.24	22.9
48	75.8	71.4	58.42	15.24	22.9

1. FEATURES
- 1.1. Compact mechanical construction to ensure long term life.
  - 1.2. Zero insertion and extraction pressure.
  - 1.3. standard 0.100(2.54mm) IC pitch,easy to mount in PC board.
  - 1.4. All plastics are UL 94V-0 grade fire retardant.
  - 1.5. Gold plated contact to ensure low contact resistance and long operation life.
2. SPECIFICATION
- 2.1. ELECTRICAL:
    - 2.1.1. Rating:50VDC,100mA.
    - 2.1.2. Contact Resistance: 50mΩ Max.
    - 2.1.3. Insulation Resistance:1000MΩ Min.
    - 2.1.4. Dielectric withstanding voltage:500VDC min. for 60 seconds.Capacitance between adjacent contacts.
  - 2.2. MECHANICAL AND ENVIRONMENTAL
    - 2.2.1. Temperature Rating:
      - 2.2.2. Operating:-40℃ to +105℃
      - 2.2.4. Durability:25,000 cycles(with load)
      - 2.2.5. Humidity:95%RH,40℃ for 48 Hrs.
      - 2.2.6. Solderability:After flux 230℃ for 5±0.5 Seconds,95% coverage
      - 2.2.7. Soldering Heat:260±5℃ for 5±1 Seconds.

3. PRODUCT NUMBER CODE: DS1044 - X X X
- Housing color  
L: Blue  
B: Black  
G: Green
- Contact plating  
F: Full 3u" gold  
0: Full gold flash  
6: Full Tin
- No. of contacts  
14 16 18 20 24  
28 32 40 48



GENERAL TOLERANCE	±0.60	X.
ANGLE TOLERANCE	±0.38	X.
	±0.25	.XX

GENERAL TOLERANCE	±0.60	X.
ANGLE TOLERANCE	±0.38	X.
	±0.25	.XX

GENERAL TOLERANCE	±0.60	X.
ANGLE TOLERANCE	±0.38	X.
	±0.25	.XX

GENERAL TOLERANCE	±0.60	X.
ANGLE TOLERANCE	±0.38	X.
	±0.25	.XX

GENERAL TOLERANCE	±0.60	X.
ANGLE TOLERANCE	±0.38	X.
	±0.25	.XX

GENERAL TOLERANCE	±0.60	X.
ANGLE TOLERANCE	±0.38	X.
	±0.25	.XX

GENERAL TOLERANCE	±0.60	X.
ANGLE TOLERANCE	±0.38	X.
	±0.25	.XX

GENERAL TOLERANCE	±0.60	X.
ANGLE TOLERANCE	±0.38	X.
	±0.25	.XX

GENERAL TOLERANCE	±0.60	X.
ANGLE TOLERANCE	±0.38	X.
	±0.25	.XX

GENERAL TOLERANCE	±0.60	X.
ANGLE TOLERANCE	±0.38	X.
	±0.25	.XX

GENERAL TOLERANCE	±0.60	X.
ANGLE TOLERANCE	±0.38	X.
	±0.25	.XX

GENERAL TOLERANCE	±0.60	X.
ANGLE TOLERANCE	±0.38	X.
	±0.25	.XX

GENERAL TOLERANCE	±0.60	X.
ANGLE TOLERANCE	±0.38	X.
	±0.25	.XX

GENERAL TOLERANCE	±0.60	X.
ANGLE TOLERANCE	±0.38	X.
	±0.25	.XX

GENERAL TOLERANCE	±0.60	X.
ANGLE TOLERANCE	±0.38	X.
	±0.25	.XX

GENERAL TOLERANCE	±0.60	X.
ANGLE TOLERANCE	±0.38	X.
	±0.25	.XX

GENERAL TOLERANCE	±0.60	X.
ANGLE TOLERANCE	±0.38	X.
	±0.25	.XX

GENERAL TOLERANCE	±0.60	X.
ANGLE TOLERANCE	±0.38	X.
	±0.25	.XX

GENERAL TOLERANCE	±0.60	X.
ANGLE TOLERANCE	±0.38	X.
	±0.25	.XX

GENERAL TOLERANCE	±0.60	X.
ANGLE TOLERANCE	±0.38	X.
	±0.25	.XX

GENERAL TOLERANCE	±0.60	X.
ANGLE TOLERANCE	±0.38	X.
	±0.25	.XX

GENERAL TOLERANCE	±0.60	X.
ANGLE TOLERANCE	±0.38	X.
	±0.25	.XX

GENERAL TOLERANCE	±0.60	X.
ANGLE TOLERANCE	±0.38	X.
	±0.25	.XX

GENERAL TOLERANCE	±0.60	X.
ANGLE TOLERANCE	±0.38	X.
	±0.25	.XX

GENERAL TOLERANCE	±0.60	X.
ANGLE TOLERANCE	±0.38	X.
	±0.25	.XX

GENERAL TOLERANCE	±0.60	X.
ANGLE TOLERANCE	±0.38	X.
	±0.25	.XX

GENERAL TOLERANCE	±0.60	X.
ANGLE TOLERANCE	±0.38	X.
	±0.25	.XX

GENERAL TOLERANCE	±0.60	X.
ANGLE TOLERANCE	±0.38	X.
	±0.25	.XX

GENERAL TOLERANCE	±0.60	X.
ANGLE TOLERANCE	±0.38	X.
	±0.25	.XX

GENERAL TOLERANCE	±0.60	X.
ANGLE TOLERANCE	±0.38	X.
	±0.25	.XX

GENERAL TOLERANCE	±0.60	X.
ANGLE TOLERANCE	±0.38	X.
	±0.25	.XX

GENERAL TOLERANCE	±0.60	X.
ANGLE TOLERANCE	±0.38	X.
	±0.25	.XX

GENERAL TOLERANCE	±0.60	X.
ANGLE TOLERANCE	±0.38	X.
	±0.25	.XX

GENERAL TOLERANCE	±0.60	X.
ANGLE TOLERANCE	±0.38	X.
	±0.25	.XX

GENERAL TOLERANCE	±0.60	X.
ANGLE TOLERANCE	±0.38	X.
	±0.25	.XX

GENERAL TOLERANCE	±0.60	X.
ANGLE TOLERANCE	±0.38	X.
	±0.25	.XX

GENERAL TOLERANCE	±0.60	X.
ANGLE TOLERANCE	±0.38	X.
	±0.25	.XX

GENERAL TOLERANCE	±0.60	X.
ANGLE TOLERANCE	±0.38	X.
	±0.25	.XX

GENERAL TOLERANCE	±0.60	X.
ANGLE TOLERANCE	±0.38	X.
	±0.25	.XX

GENERAL TOLERANCE	±0.60	X.
ANGLE TOLERANCE	±0.38	X.
	±0.25	.XX

GENERAL TOLERANCE	±0.60	X.
ANGLE TOLERANCE	±0.38	X.
	±0.25	.XX

GENERAL TOLERANCE	±0.60	X.
ANGLE TOLERANCE	±0.38	X.
	±0.25	.XX

GENERAL TOLERANCE	±0.60	X.
ANGLE TOLERANCE	±0.38	X.
	±0.25	.XX

GENERAL TOLERANCE	±0.60	X.
ANGLE TOLERANCE	±0.38	X.
	±0.25	.XX

GENERAL TOLERANCE	±0.60	X.
ANGLE TOLERANCE	±0.38	X.
	±0.25	.XX

GENERAL TOLERANCE	±0.60	X.
ANGLE TOLERANCE	±0.38	X.
	±0.25	.XX

GENERAL TOLERANCE	±0.60	X.
ANGLE TOLERANCE	±0.38	X.
	±0.25	.XX

GENERAL TOLERANCE	±0.60	X.
ANGLE TOLERANCE	±0.38	X.
	±0.25	.XX

GENERAL TOLERANCE	±0.60	X.
ANGLE TOLERANCE	±0.38	X.
	±0.25	.XX

GENERAL TOLERANCE	±0.60	X.
ANGLE TOLERANCE	±0.38	X.
	±0.25	.XX

GENERAL TOLERANCE	±0.60	X.
ANGLE TOLERANCE	±0.38	X.
	±0.25	.XX

GENERAL TOLERANCE	±0.60	X.
ANGLE TOLERANCE	±0.38	X.
	±0.25	.XX

GENERAL TOLERANCE	±0.60	X.
ANGLE TOLERANCE	±0.38	X.
	±0.25	.XX

GENERAL TOLERANCE	±0.60	X.
ANGLE TOLERANCE	±0.38	X.
	±0.25	.XX

GENERAL TOLERANCE	±0.60	X.
ANGLE TOLERANCE	±0.38	X.
	±0.25	.XX

GENERAL TOLERANCE	±0.60	X.
ANGLE TOLERANCE	±0.38	X.
	±0.25	.XX

GENERAL TOLERANCE	±0.60	X.
ANGLE TOLERANCE	±0.38	X.
	±0.25	.XX

GENERAL TOLERANCE	±0.60	X.
ANGLE TOLERANCE	±0.38	X.
	±0.25	.XX

GENERAL TOLERANCE	±0.60	X.
ANGLE TOLERANCE	±0.38	X.
	±0.25	.XX

GENERAL TOLERANCE	±0.60	X.
ANGLE TOLERANCE	±0.38	X.
	±0.25	.XX

GENERAL TOLERANCE	±0.60	X.
ANGLE TOLERANCE	±0.38	X.
	±0.25	.XX

GENERAL TOLERANCE	±0.60	X.
ANGLE TOLERANCE	±0.38	X.
	±0.25	.XX

GENERAL TOLERANCE	±0.60	X.
ANGLE TOLERANCE	±0.38	X.
	±0.25	.XX

GENERAL TOLERANCE	±0.60	X.
ANGLE TOLERANCE	±0.38	X.
	±0.25	.XX

GENERAL TOLERANCE	±0.60	X.
ANGLE TOLERANCE	±0.38	X.
	±0.25	.XX

GENERAL TOLERANCE	±0.60	X.
ANGLE TOLERANCE	±0.38	X.
	±0.25	.XX

GENERAL TOLERANCE	±0.60	X.
ANGLE TOLERANCE	±0.38	X.
	±0.25	.XX

GENERAL TOLERANCE	±0.60	X.
ANGLE TOLERANCE	±0.38	X.
	±0.25	.XX

GENERAL TOLERANCE	±0.60	X.
ANGLE TOLERANCE	±0.38	X.
	±0.25	.XX

GENERAL TOLERANCE	±0.60	X.
ANGLE TOLERANCE	±0.38	X.
	±0.25	.XX

GENERAL TOLERANCE	±0.60	X.
ANGLE TOLERANCE	±0.38	X.
	±0.25	.XX

GENERAL TOLERANCE	±0.60	X.
ANGLE TOLERANCE	±0.38	X.
	±0.25	.XX

GENERAL TOLERANCE	±0.60	X.
ANGLE TOLERANCE	±0.38	X.
	±0.25	.XX

GENERAL TOLERANCE	±0.60	X.
ANGLE TOLERANCE	±0.38	X.
	±0.25	.XX

GENERAL TOLERANCE	±0.60	X.
ANGLE TOLERANCE	±0.38	X.
	±0.25	.XX

GENERAL TOLERANCE	±0.60	X.
ANGLE TOLERANCE	±0.38	X.
	±0.25	.XX

GENERAL TOLERANCE	±0.60	X.
ANGLE TOLERANCE	±0.3	

## X-ON Electronics

Largest Supplier of Electrical and Electronic Components

*Click to view similar products for [IC & Component Sockets](#) category:*

*Click to view products by [Connfly](#) manufacturer:*

Other Similar products are found below :

[714-43-102-31-012000](#) [0066-3-17-15-30-14-02-0](#) [0134-0-15-15-32-27-04-0](#) [614-DG5](#) [6527-0-00-15-00-00-03-0](#) [670](#) [672](#) [673](#) [712-93-120-41-001000](#) [714-93-104-31-018000](#) [8059-4G1-LF](#) [807-22-001-10-001101](#) [807-22-001-10-003101](#) [807-22-001-10-004101](#) [807-22-001-10-006101](#) [807-22-001-30-011101](#) [807-22-001-30-012101](#) [807-22-001-30-013101](#) [807-22-001-30-014101](#) [8-1437531-4](#) [8150-6P10](#) [833-93-034-10-001000](#) [835-43-014-10-001000](#) [851-41-006-10-001000](#) [851-43-008-20-001000](#) [851-43-014-20-001000](#) [851-93-006-20-001000](#) [851-93-010-20-001000](#) [852-10-026-10-001000](#) [853-43-020-10-001000](#) [86.010.0053.0](#) [116-43-306-41-003000](#) [116-43-308-41-007000](#) [116-87-308-41-007101](#) [PX-68LCC](#) [PX-84LCC](#) [121-13-318-41-001000](#) [121-13-320-41-001000](#) [121-13-308-41-001000](#) [123-43-314-41-801000](#) [123-43-420-41-001000](#) [123-43-636-41-001000](#) [123-87-320-41-001101](#) [122-13-316-41-001000](#) [123-13-624-41-001000](#) [123-43-306-41-001000](#) [123-43-322-41-801000](#) [123-43-428-41-001000](#) [123-43-624-41-001000](#) [12-3513-11](#)