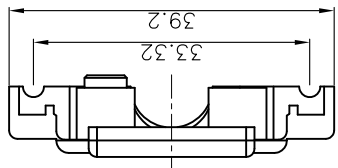
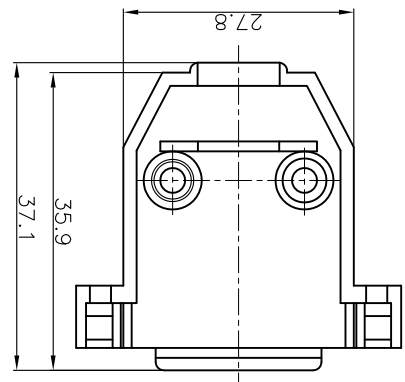
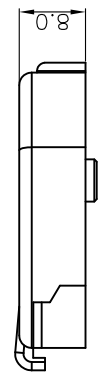
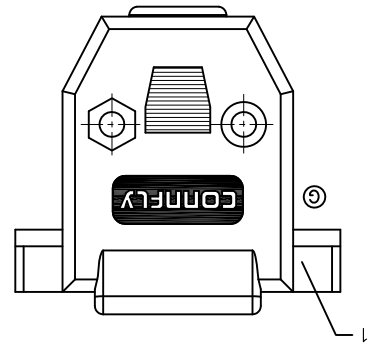
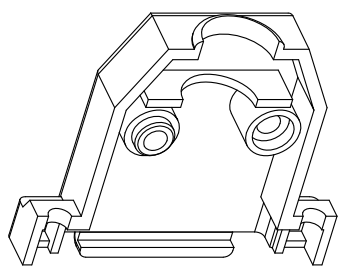
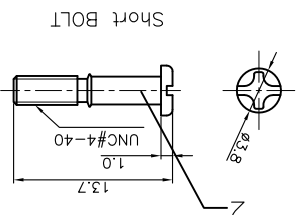
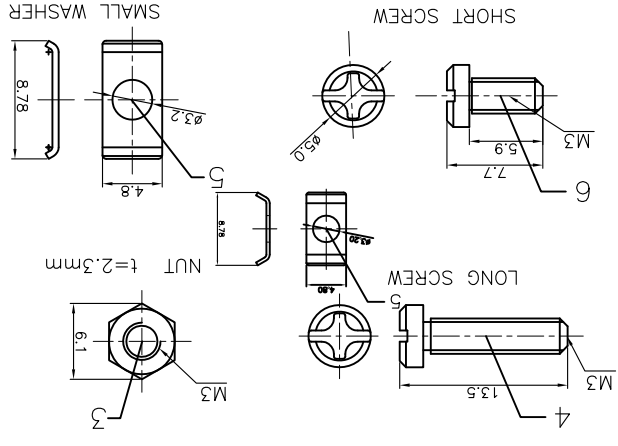
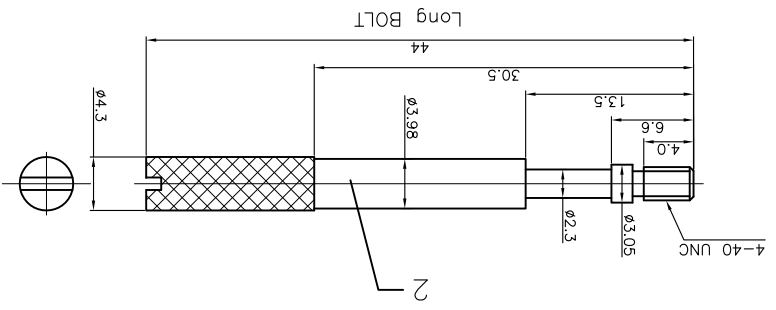
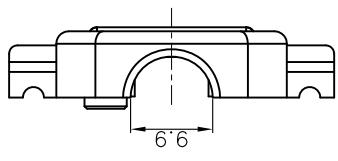
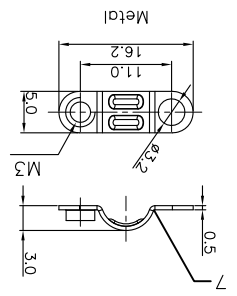


DRAWING NO. C-DS1045-15XXXXX-X-G		SCALE 1:1	
DRAWING TYPE CUSTOMER		SHEET 1 OF 1	
GENERAL TOLERANCE	X. ±0.60	X. ±0.38	.XX ±0.25
ANGLE TOLERANCE	±5.	±3.	.XX ±2.

UNITS	mm	SHEET SIZE	A4
PROJECTION	1st Angle	TITLE	D-SUB Plastic Hood 180°
		SERIES	DS1045 SERIES
		POSITIONS	15 Positions



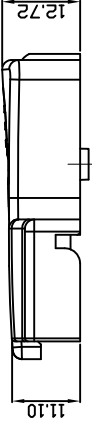
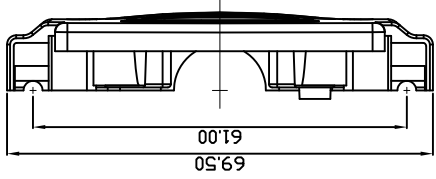
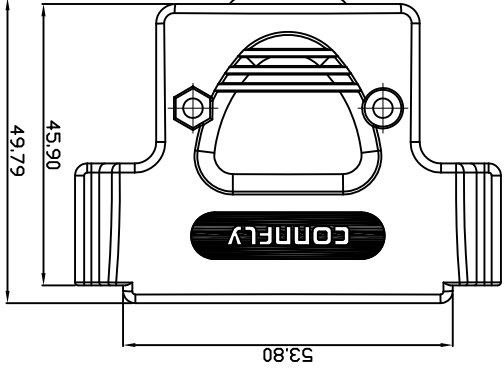
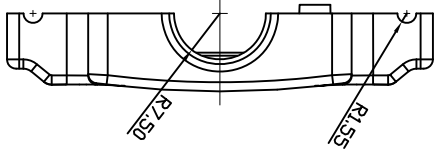
BOM LIST			
ITEM	PART NAME	Q'ty	NOTES
1	PLASTIC HOOD	2	SEE P/N
2.1	LONG BOLT	2	#4-40
2.2	SHORT BOLT	2	#4-40
3	NUT	2	M3
4	LONG SCREW	2	M3
5	SMALL WASHER	2	M3
6	SHORT SCREW	2	M3
7	METAL WASHER	2	M3

- NOTES:
 1. Hardwares are all Nickel plated.
 2. PART NUMBER CODE: DS1045 - 15 X X X X X - X
 Head Materials: A: ABS, B: Similar ABS, ⑤: Metal
 Washer type: 1: Metal
 Bolt type: L: Long, S: Short
 Packing type: 1: Mix packing, 2: Separation packing, Q: Full packing
 Cover Material: P: Plastic (ABS)
 Cover Color: A: Gray, B: Black, V: Ivory
 Position: 15: 15pin

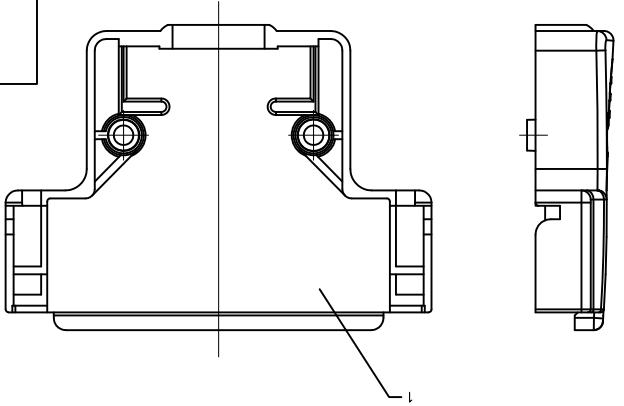
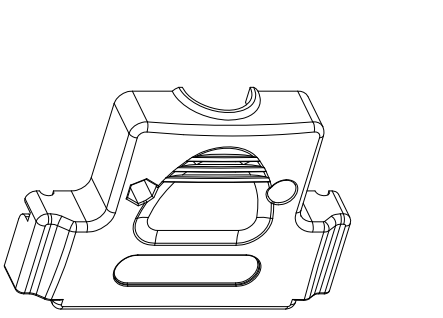
REV.	DESCRIPTION	DRAWN	CHECKED	APPROVED
A	NEW RELEASE	LJH 05/18/05'	~	LJC 05/18/05'
C	整理英制短螺絲尺寸	YCH 07/18/08'	~	LJC 07/18/08'
D	NEW RELEASE	YCH 05/20/10'	~	LJC 05/20/10'
E	ADD P/N CODE	LJC 12/24/13'	~	LJC 12/24/13'
G	ADD LOGO	JLZ 12/17/14'	~	

ITEM	PART NAME	Q'ty	NOTES
1	PLASTIC HOOD	2	SEE P/N
2	BOLT	2	#4-40
3	NUT	2	M3
4	M3*10 SCREW	2	M3
5	M3*12 SCREW	2	M3
6	BIG WASHER	2	M3

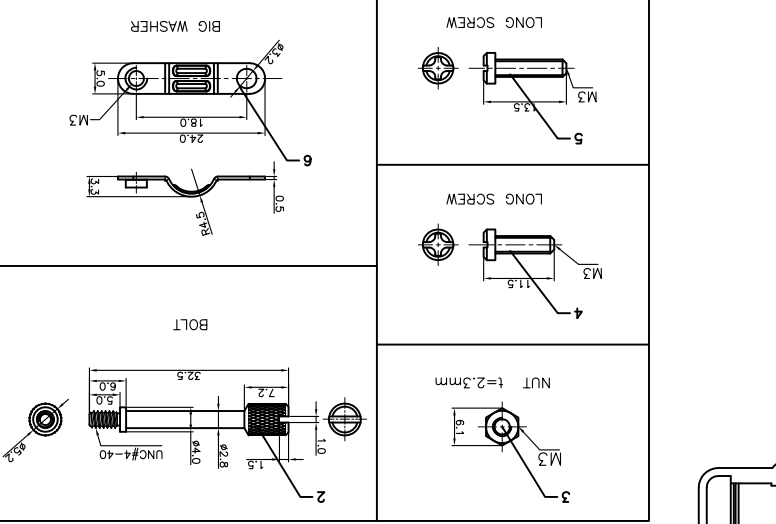
BOM LIST



DRAWING NO. C-DS1045-50XXX-X-D	
SCALE 1:1	SHEET 1 OF 1
DRAWING TYPE CUSTOMER	
GENERAL TOLERANCE X. ±0.60	ANGLE TOLERANCE .X. ±5.
.XX ±0.25	.X. ±3.
.XX ±2.	.X. ±2.



CONFLY® CONFLY ELECTRONIC CO., LTD	
D-SUB Plastic Hood 180°	
UNITS mm	SHEET SIZE A4
SERIES DS1045 SERIES	
PROJECTION	
TITLE	



NOTES:
 1. Hardwares are all Nickel plated.
 2. PART NUMBER CODE:
 DS1045 - 50 X X X - X

Hood Materials:
 A: ABS
 B: Similar ABS

Packing type:
 1: Mix packing
 2: Separation packing

Cover Color:
 A: Gray
 B: Black

Cover Material:
 P: Plastic(ABS)

Position:
 50: 50pin

REV.	DESCRIPTION	DRAWN	CHECKED	APPROVED
A	NEW RELEASE	YCH 05/24/11'	~	LJC 05/24/11'
B	ADD P/N CODE	LJC 12/24/13'	~	LJC 12/24/13'
C	Arrange Drawing	JLZ 10/09/14'	~	LJC 10/09/14'
D	ADD LOGO	JLZ 12/17/14'	~	

X-ON Electronics

Largest Supplier of Electrical and Electronic Components

Click to view similar products for [D-Sub Standard Connectors](#) category:

Click to view products by [Connfly](#) manufacturer:

Other Similar products are found below :

[DCM37S732N](#) [DAM15P500](#) [DEV09S364GTLF](#) [DEM09P032N](#) [DDM50P732N](#) [DAM15S332N](#) [173109-2218](#) [173109-2466](#) [173109-2436](#)
[173109-2435](#) [56F706-005-LI](#) [56F711-015](#) [015-0341-000](#) [015-0372-008](#) [015-8544-011](#) [017041-0005](#) [020419-0104](#) [012-0515-000](#) [012-9507-](#)
[034](#) [012-9507-114](#) [012-9534-001](#) [020745-0008](#) [609-25P](#) [M24308/2-23Z](#) [M243082310F](#) [M243082410F](#) [M243082411F](#) [M24308/4-21](#)
[CT1A18-11PSA206](#) [CT1N36-5SC](#) [CT2-16S-17PS](#) [CT2-20-15PCAU](#) [CT2-24-12PS](#) [CT2-24-28PSF127A206](#) [CT2-32-9PC](#) [CT6F9767-14-4-](#)
[14S-5PC](#) [CT6FA10SL-4PS](#) [CT7-18-10SC](#) [CT7-18-10SCAU](#) [CT7-18-12SCAU](#) [CT7-18-1PC](#) [CT7-18-1PCAU](#) [CT7-18-21SCAU](#) [M83513/01-](#)
[FC](#) [M83723/76W24619 L/C](#) [M85049/48-3-2F](#) [69001-865](#) [6STD09PCM99B70X](#) [6STD09SCM99B30X](#) [6STD09SCT99S40X](#)