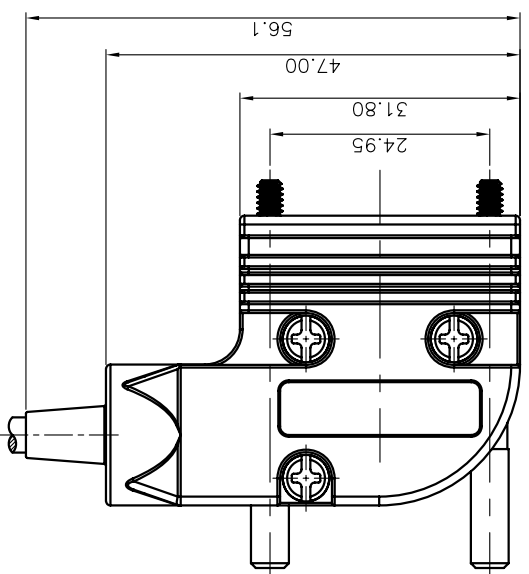
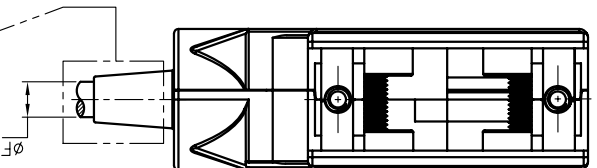
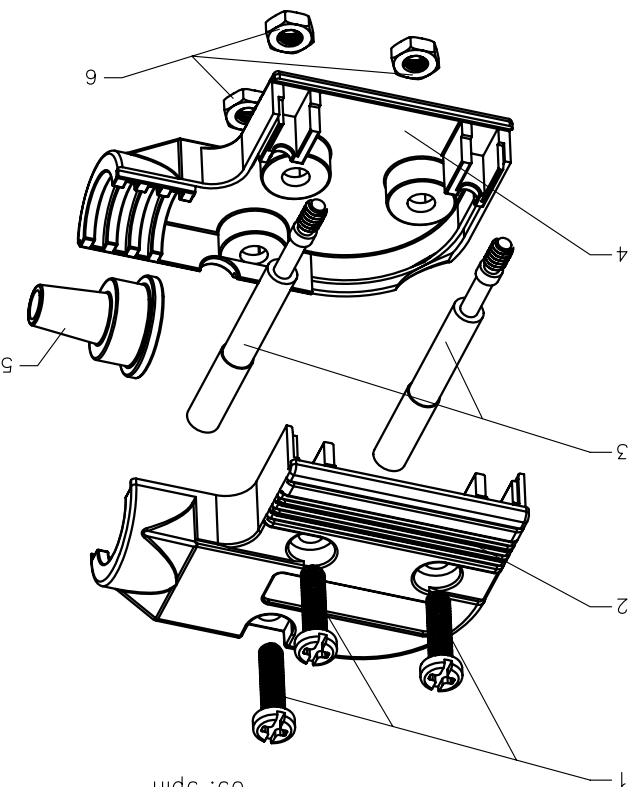
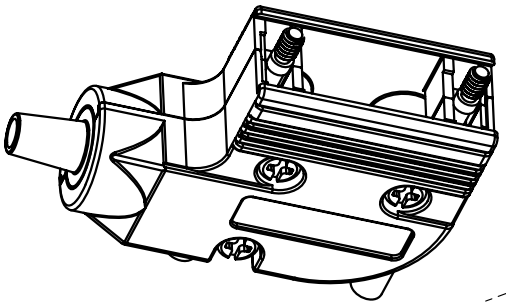
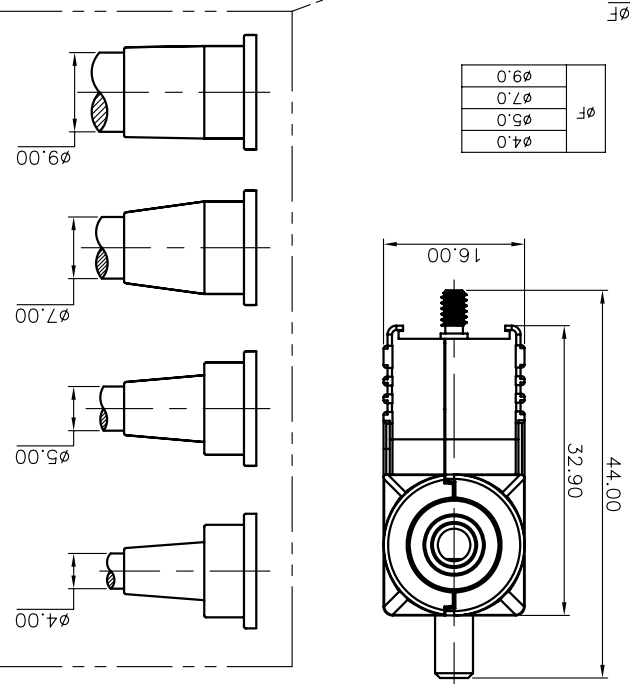


ITEM	PART NAME	Q'ty	NOTES
1	SCREW	3	M3
2	UP METAL HOOD	1	Znic alloy
3	LONG BOLT	2	UNC 4-40
4	DOWN METAL HOOD	1	Znic alloy
5	SR	4	
6	NUT	3	M3

BOM LIST



ϕF
$\phi 4.0$
$\phi 5.0$
$\phi 7.0$
$\phi 9.0$



NOTES:

- METAL HOOD MATERIAL: Znic alloy
- PART NUMBER CODE: DS1047-01 - 09 X X
- Packing type
- Mix packing
- Separation packing
- Cover Material
- Metal(Znic alloy)
- Positions
- 09: 9pin

GENERAL TOLERANCE	X. ± 0.60	X. ± 0.38	X. ± 0.25
ANGLE TOLERANCE	X. $\pm 5'$	X. $\pm 3'$.XX $\pm 2'$
DRAWING TYPE	CUSTOMER		
SCALE	1:1	SHEET	1 OF 1
DRAWING NO.	C-DS1047-01-09XX-A		

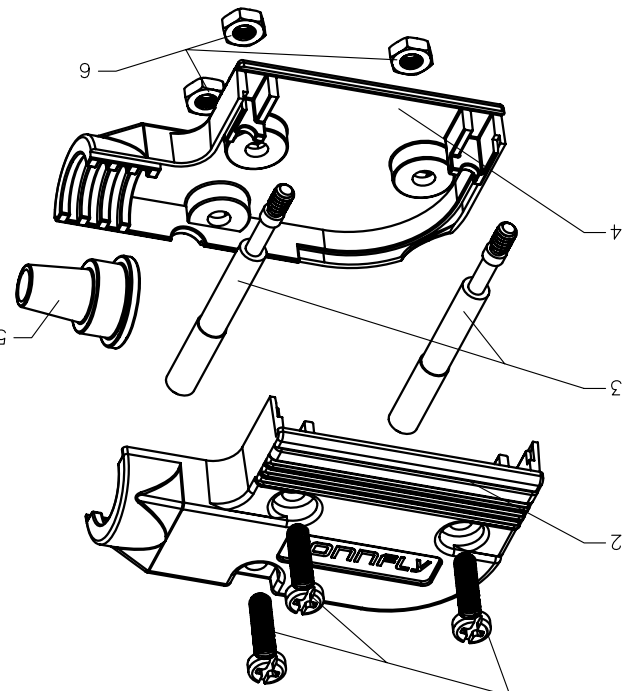
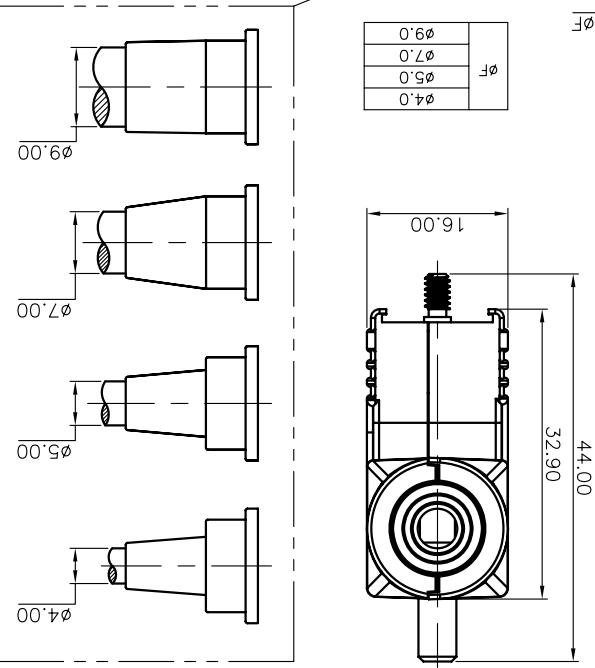
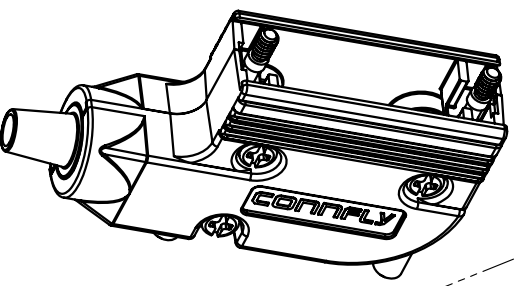
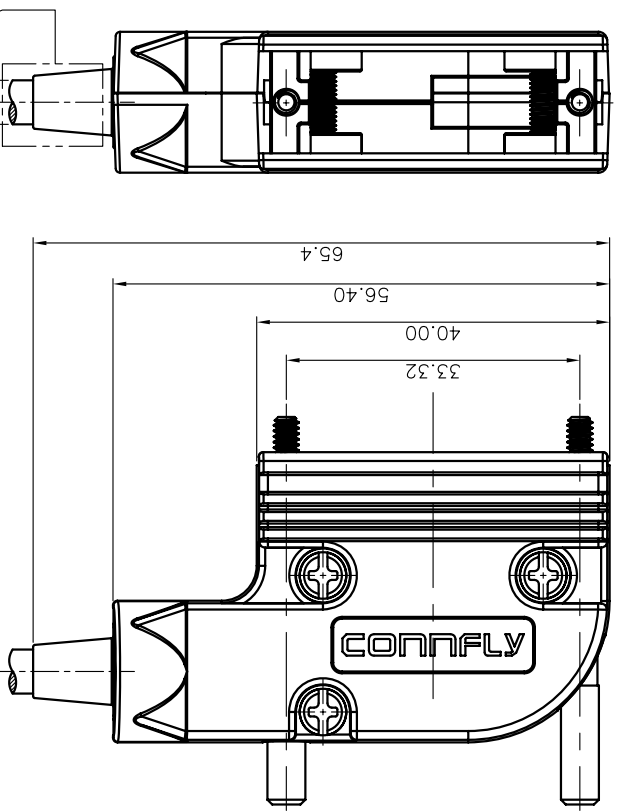
PROJECTION		TITLE	D-SUB 9pin Metal Cover
UNITS	mm	SHEET SIZE	A4
SERIES	DS1047-01 SERIES		

晨翔电子有限公司
CONNLY CONNLY ELECTRONIC CO., LTD

REV.	DESCRIPTION	DRAWN	CHECKED	APPROVED
A	NEW RELEASE	YCH 03/31/11'		

ITEM	PART NAME	Q'ty	NOTES
1	SCREW	3	M3
2	UP METAL HOOD	1	Znic alloy
3	LONG BOLT	2	UNC 4-40
4	DOWN METAL HOOD	1	Znic alloy
5	SR	4	
6	NUT	3	M3

BOM LIST



NOTES:

1. METAL HOOD MATERIAL: Znic alloy

2. PART NUMBER CODE: DS1047-01 - 15 X X

Packing type
 1: Mix packing
 2: Separation packing
 Cover Material
 M: Metal(Znic alloy)
 Positions
 15: 15pin

GENERAL TOLERANCE	X. ±0.60	ANGLE TOLERANCE	X. ±5°
	.X ±0.38		.X ±3'
	.XX ±0.25		.XX ±2'
DRAWING TYPE	CUSTOMER		
SCALE	1:1	SHEET	1 OF 1
DRAWING NO.	C-DS1047-01-15XX-A		

PROJECTION	UNIT	SHEET SIZE	SERIES
1ST ANGLE	mm	A4	DS1047-01 SERIES
D-SUB 15pin Metal Cover			

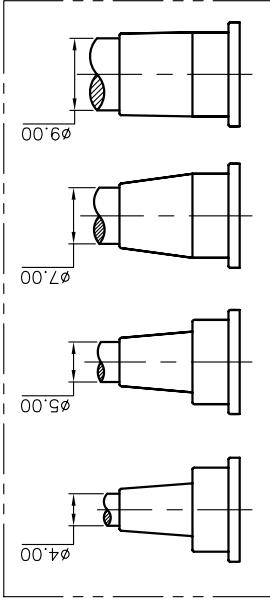
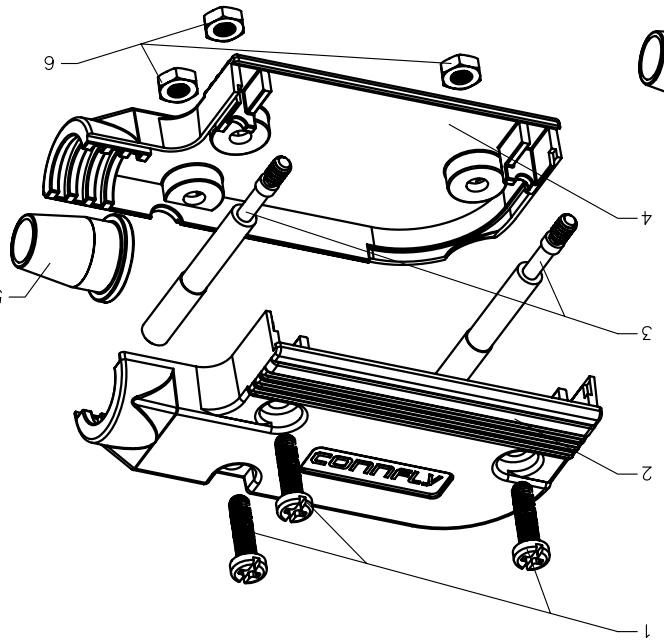
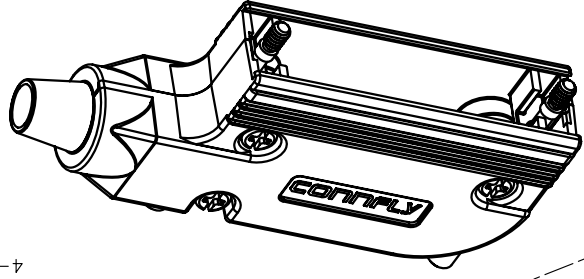
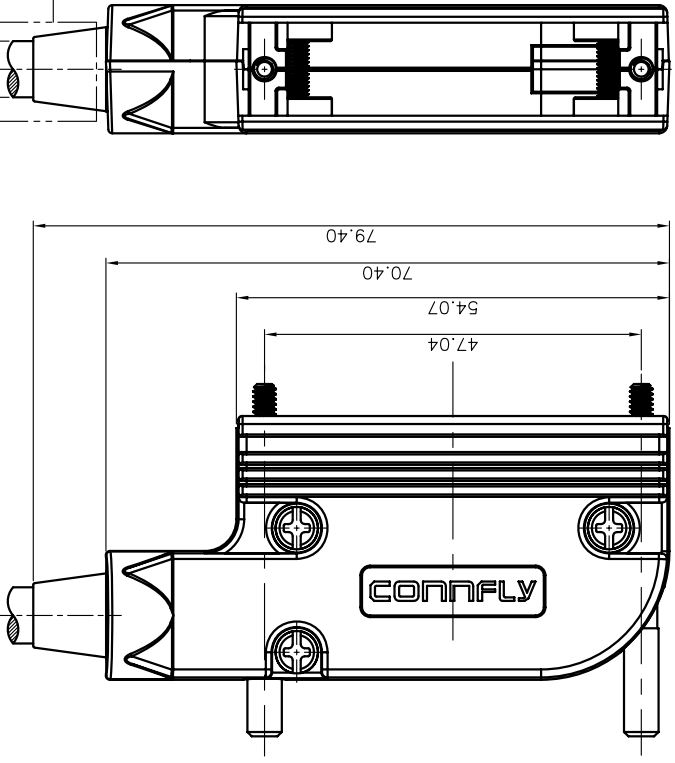


晨翔电子有限公司
 CONFLY ELECTRONIC CO., LTD

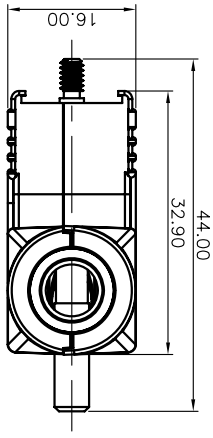
REV.	A	DESCRIPTION	NEW RELEASE	YCH 03/31/11'	CHECKED	APPROVED
------	---	-------------	-------------	---------------	---------	----------

ITEM	PART NAME	Q'ty	NOTES
1	SCREW	3	M3
2	UP METAL HOOD	1	Znic alloy
3	LONG BOLT	2	UNC 4-40
4	DOWN METAL HOOD	1	Znic alloy
5	SR	4	
6	NUT	3	M3

BOM LIST



ØF
4.0
5.0
7.0
9.0



NOTES:
 1. METAL HOOD MATERIAL: Znic alloy
 2. PART NUMBER CODE: DS1047-01 - 25 X X
 Packing type
 1: Mix packing
 2: Separation packing
 Cover Material
 M: Metal(Znic alloy)
 Positions
 25: 25pin

REV.	DESCRIPTION	DRAWN	YCH	DATE
A	NEW RELEASE		03/31/11	

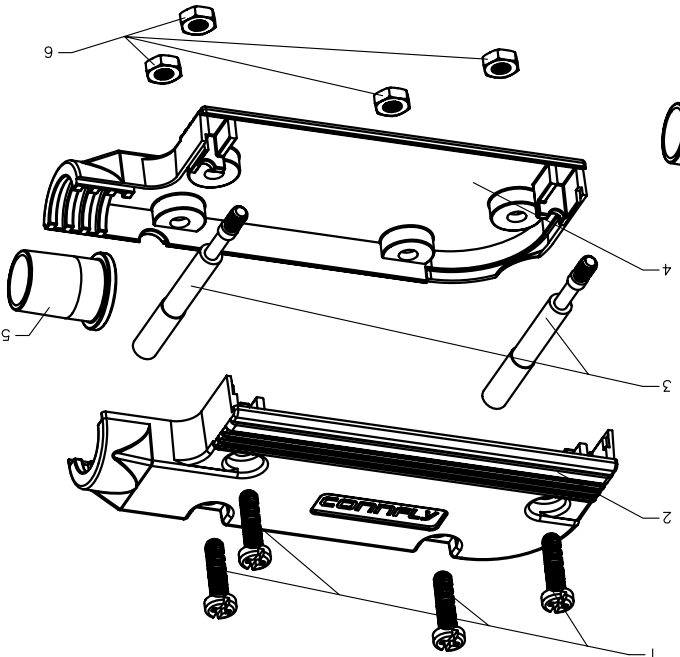
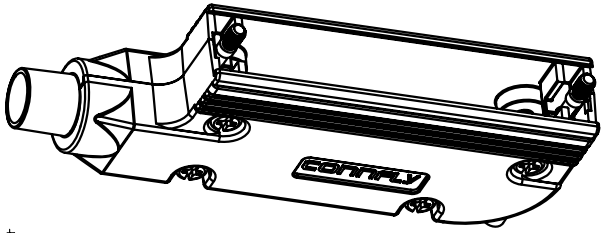
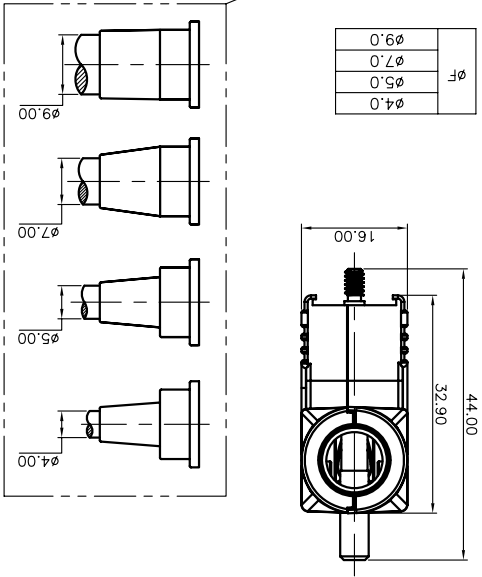
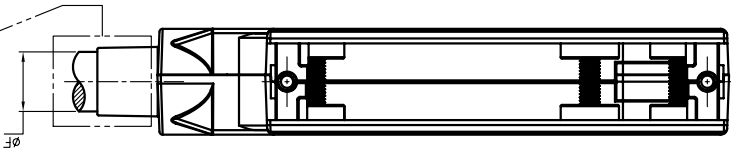
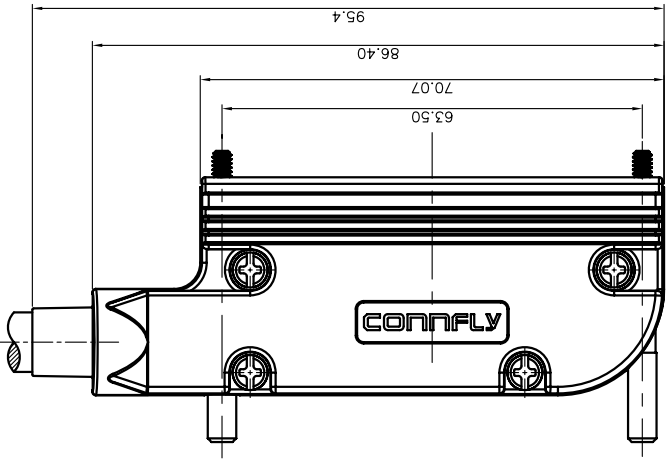
GENERAL TOLERANCE	ANGLE TOLERANCE	PROJECTION	TITLE	UNITS	SHEET SIZE	SERIES
X. ±0.60 X. ±0.38 .XX ±0.25	X. ±5. X. ±3. .XX ±2.	①	D-SUB 25pin Metal Cover	mm	A4	DS1047-01 SERIES

晨翔电子有限公司
 CONFLY CONNELY ELECTRONIC CO., LTD

DRAWING NO.	SCALE	DRAWING TYPE	CUSTOMER
C-DS1047-01-25XX-A	1:1	SHEET 1 OF 1	

ITEM	PART NAME	Q'ty	NOTES
1	SCREW	4	M3
2	UP METAL HOOD	1	Znic alloy
3	LONG BOLT	2	UNC 4-40
4	DOWN METAL HOOD	1	Znic alloy
5	SR	4	
6	NUT	4	M3

BOM LIST



NOTES:
 1. METAL HOOD MATERIAL: Znic alloy
 2. PART NUMBER CODE: DS1047-01 - 37 X X
 Packing type
 1: Mix packing
 2: Separation packing
 Cover Material
 M: Metal(Znic alloy)
 Positions
 37: 37pin

GENERAL TOLERANCE	X. ±0.60	X. ±0.38	X. ±0.25
ANGLE TOLERANCE	X. ±5°	X. ±3°	.XX ±2°
PROJECTION	第一角制	TITLE	D-SUB 37pin Metal Cover
UNITS	mm	SHEET SIZE	A4
SERIES	DS1047-01 SERIES		

DRAWING TYPE	CUSTOMER	SCALE	1:1	SHEET	1 OF 1
DRAWING NO.	C-DS1047-01-37XX-A				

晨翔电子有限公司
 CONNPLY ELECTRONIC CO., LTD

REV.	A	DESCRIPTION	NEW RELEASE	YCH 03/31/11	DRAWN	CHECKED	APPROVED
------	---	-------------	-------------	--------------	-------	---------	----------

X-ON Electronics

Largest Supplier of Electrical and Electronic Components

Click to view similar products for [D-Sub Standard Connectors](#) category:

Click to view products by [Connfly](#) manufacturer:

Other Similar products are found below :

[DCM37S732N](#) [DAM15P500](#) [DEV09S364GTLF](#) [DEM09P032N](#) [DDM50P732N](#) [DAM15S332N](#) [173109-2218](#) [173109-2466](#) [173109-2436](#)
[173109-2435](#) [56F706-005-LI](#) [56F711-015](#) [015-0341-000](#) [015-0372-008](#) [015-8544-011](#) [017041-0005](#) [020419-0104](#) [012-0515-000](#) [012-9507-](#)
[034](#) [012-9507-114](#) [012-9534-001](#) [020745-0008](#) [609-25P](#) [M24308/2-23Z](#) [M243082310F](#) [M243082410F](#) [M243082411F](#) [M24308/4-21](#)
[CT1A18-11PSA206](#) [CT1N36-5SC](#) [CT2-16S-17PS](#) [CT2-20-15PCAU](#) [CT2-24-12PS](#) [CT2-24-28PSF127A206](#) [CT2-32-9PC](#) [CT6F9767-14-4-](#)
[14S-5PC](#) [CT6FA10SL-4PS](#) [CT7-18-10SC](#) [CT7-18-10SCAU](#) [CT7-18-12SCAU](#) [CT7-18-1PC](#) [CT7-18-1PCAU](#) [CT7-18-21SCAU](#) [M83513/01-](#)
[FC](#) [M83723/76W24619 L/C](#) [M85049/48-3-2F](#) [69001-865](#) [6STD09PCM99B70X](#) [6STD09SCM99B30X](#) [6STD09SCT99S40X](#)