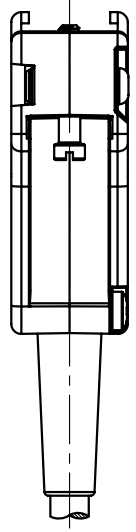
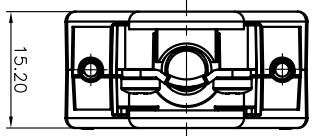
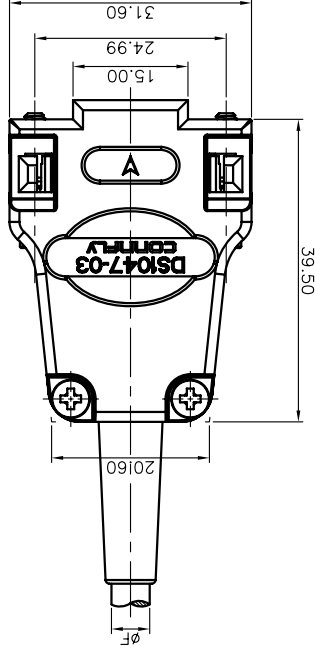


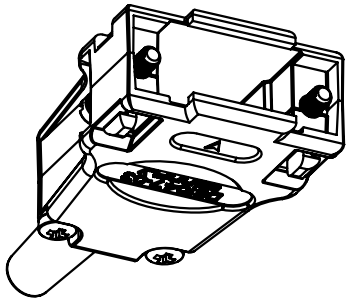
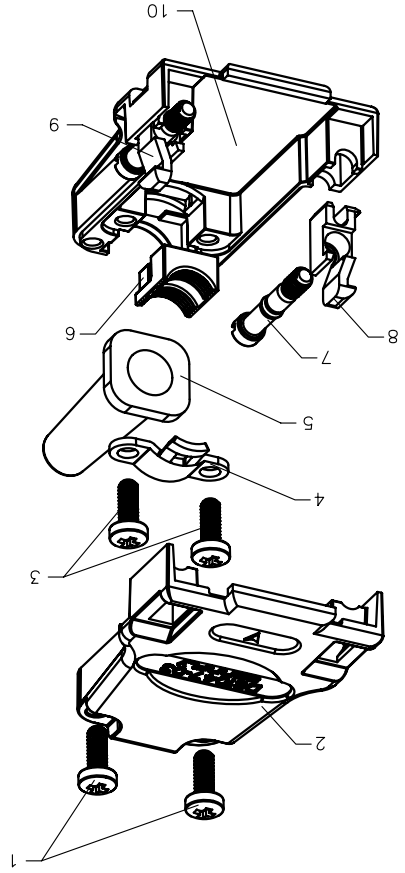
W/SR	∅6.5
W/O SR	∅3.0~∅9.5



ITEM	PART NAME	Q'ty	NOTES
1	SCREW M2.5*8	2	M2.5
2	METAL HOOD-1	1	Znic alloy
3	SCREW M2.5*6	2	M2.5
4	WASHER	1	
5	SR	1	
6	STRAIN RELIEF	1	
7	BOLT	2	UNC 4-40
8	LATCH-1	1	
9	LATCH-2	1	
10	METAL HOOD-2	1	Znic alloy

BOM LIST

GENERAL TOLERANCE		X. ±0.60
ANGLE TOLERANCE		X. ±5°
UNITS		mm
PROJECTION		☉
TITLE		D-SUB 9pin Metal Hoods
SHEET SIZE		A4
SERIES		DS1047-03 SERIES
DRAWING TYPE		CUSTOMER
SCALE		1:1
DRAWING NO.		C-DS1047-03-09XXX



NOTES:
 1. PART NUMBER CODE: DS1047-03 - 09 X X X
 SR Support
 S/ SR
 X: W/O SR
 Packing type
 1: Mix packing
 2: Separation packing
 Cover Material
 M: Metal(Znic alloy)
 Positions
 09: 9pin

REV.	A	DESCRIPTION	NEW RELEASE	YCH 03/22/11'	~	CHECKED	APPROVED

晨翔电子有限公司
 CONNLY ELECTRONIC CO., LTD

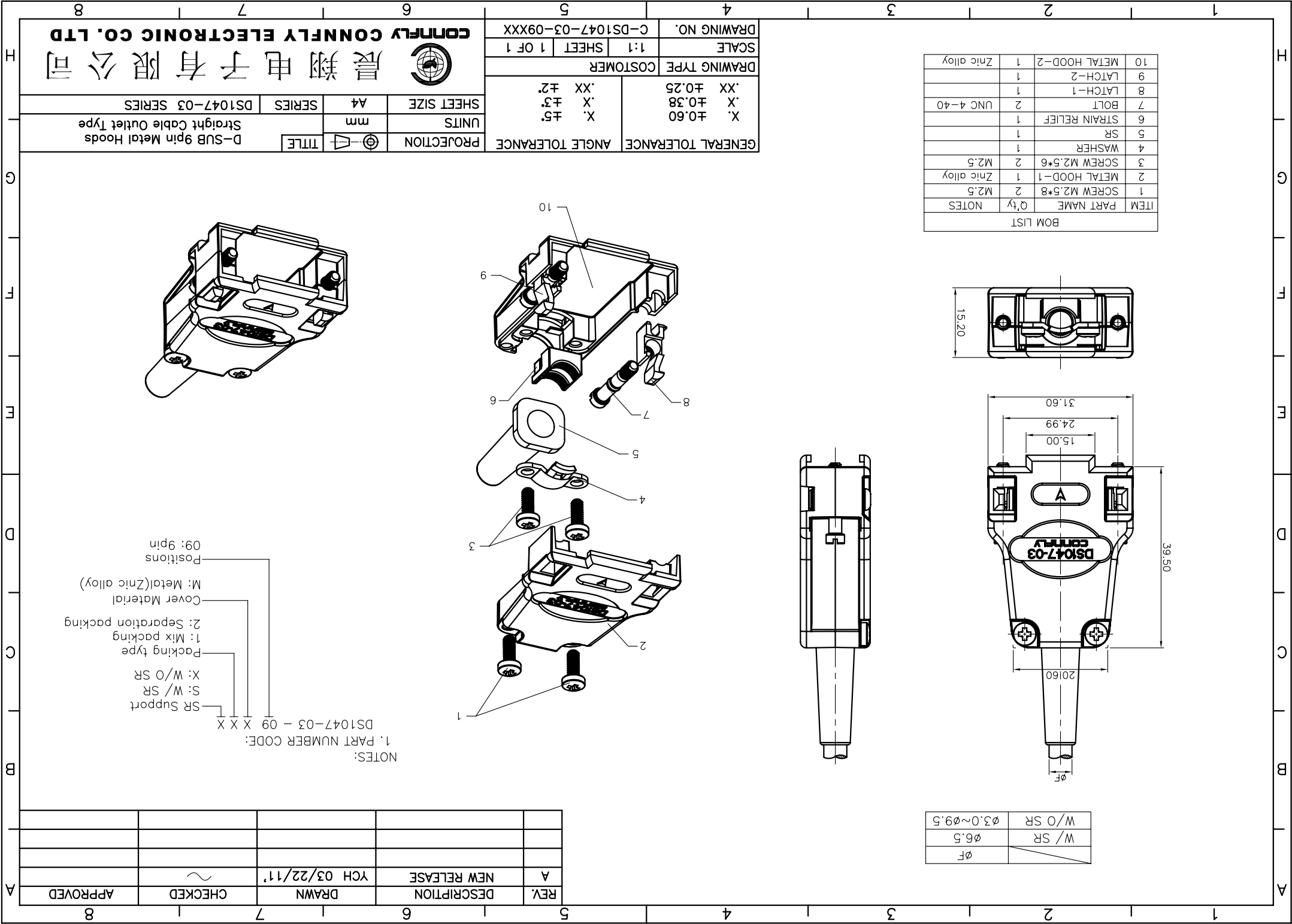
PROJECTION: ☉

TITLE: D-SUB 9pin Metal Hoods

UNITS: mm

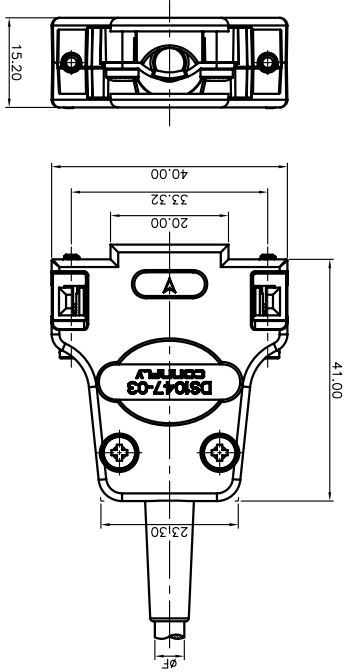
SHEET SIZE: A4

SERIES: DS1047-03 SERIES

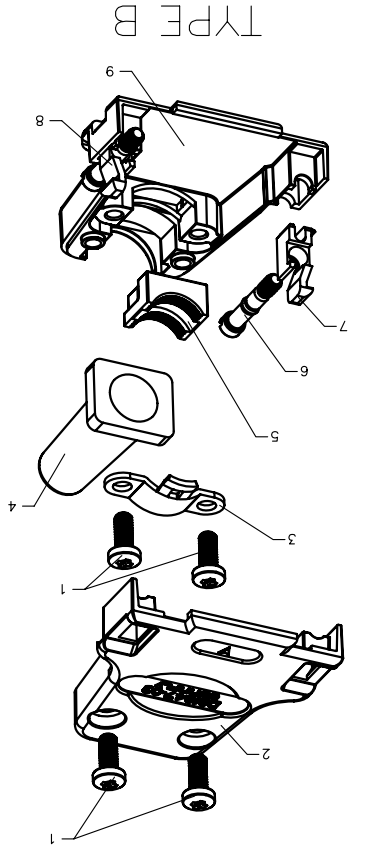
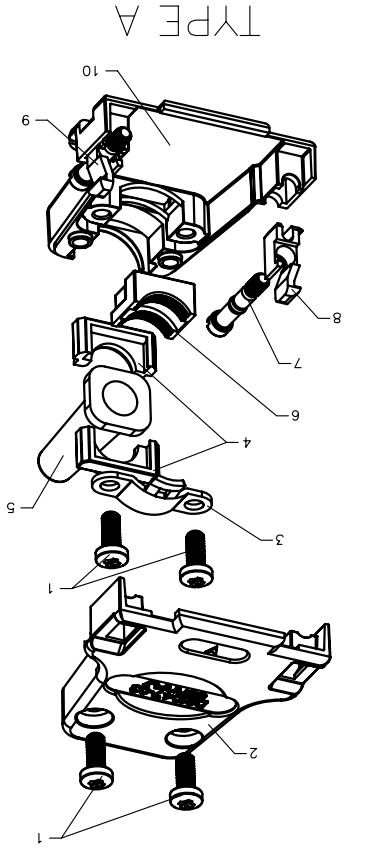
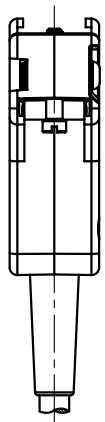


ITEM	PART NAME	Q'ty	NOTES
1	SCREW	4	M3
2	METAL HOOD-1	1	Znc alloy
3	WASHER	1	
4	CABLE REDUCTION PLATE	2	
5	SR	1	
6	STRAIN RELIEF	1	
7	BOLT	2	UNC 4-40
8	LATCH-1	1	
9	LATCH-2	1	
10	METAL HOOD-2	1	Znc alloy

ITEM	PART NAME	Q'ty	NOTES
1	SCREW	4	M3
2	METAL HOOD-1	1	Znc alloy
3	WASHER	1	
4	SR	1	
5	STRAIN RELIEF	1	
6	BOLT	2	UNC 4-40
7	LATCH-1	1	
8	LATCH-2	1	
9	METAL HOOD-2	1	Znc alloy



DS1047-03		ØF	
TYPE A	W/SR	Ø6.5	
TYPE A	W/O SR	Ø3.0~Ø9.5	
TYPE B	W/SR	Ø9.0	
TYPE B	W/O SR	Ø8.5~Ø12.5	



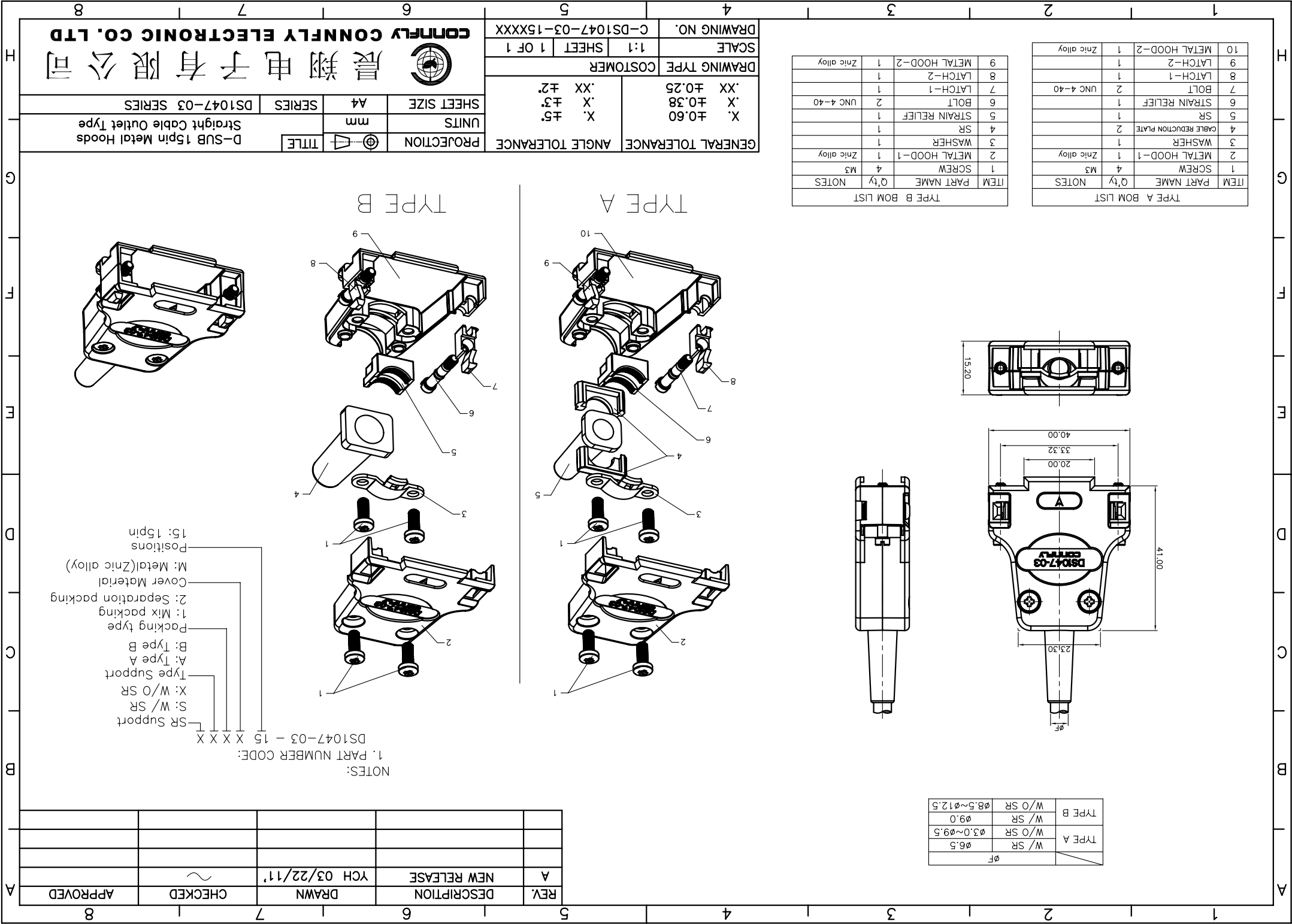
- NOTES:
- PART NUMBER CODE: DS1047-03 - 15 X X X X
 - SR Support
 - S: W/SR
 - X: W/O SR
 - Type Support
 - A: Type A
 - B: Type B
 - Packing type
 - 1: Mix packing
 - 2: Separation packing
 - Cover Material
 - M: Metal(Znc alloy)
 - Positions
 - 15: 15pin

REV.	DESCRIPTION	DRAWN	CHECKED	APPROVED
A	NEW RELEASE	YCH 03/22/11'		

GENERAL TOLERANCE		X. ±0.60
ANGLE TOLERANCE		X. ±5°
		X. ±0.38
		X. ±3'
		.XX ±2'
DRAWING TYPE		CUSTOMER
SCALE		1:1
DRAWING NO.		C-DS1047-03-15XXXX

PROJECTION		UNIT	SHEET SIZE	SERIES	TITLE
D-SUB 15pin Metal Hoods		mm	A4	DS1047-03 SERIES	Straight Cable Outlet Type

晨翔电子有限公司
CONNLY CONNLY ELECTRONIC CO., LTD

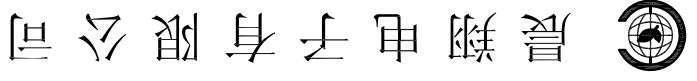


ITEM	PART NAME	Q'ty	NOTES
1	SCREW	4	M3
2	METAL HOOD-1	1	Zinc alloy
3	WASHER	1	
4	CABLE REDUCTION PLATE	2	
5	SR	1	
6	STRAIN RELIEF	1	
7	BOLT	2	UNC 4-40
8	LATCH-1	1	
9	LATCH-2	1	
10	METAL HOOD-2	1	Zinc alloy

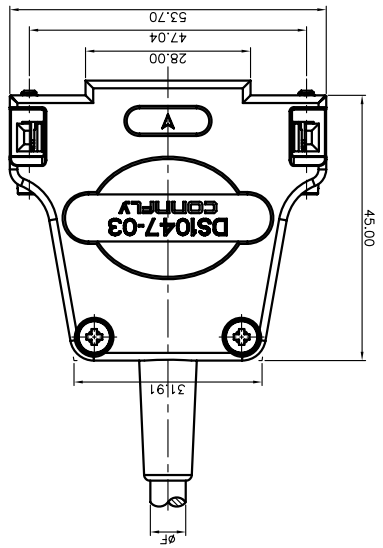
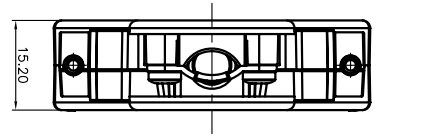
ITEM	PART NAME	Q'ty	NOTES
1	SCREW	4	M3
2	METAL HOOD-1	1	Zinc alloy
3	WASHER	1	
4	SR	1	
5	STRAIN RELIEF	1	
6	BOLT	2	UNC 4-40
7	LATCH-1	1	
8	LATCH-2	1	
9	METAL HOOD-2	1	Zinc alloy

GENERAL TOLERANCE		X. ±0.60
ANGLE TOLERANCE		X. ±5°
		.X ±0.38
		.XX ±0.25
DRAWING TYPE		CUSTOMER
SCALE	1:1	SHEET 1 OF 1
DRAWING NO.	C-DS1047-03-25XXXX	

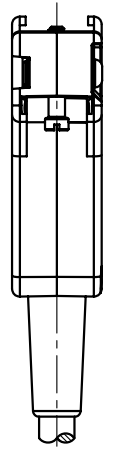
UNITS	mm
SHEET SIZE	A4
SERIES	DS1047-03 SERIES
D-SUB 25pin Metal Hoods Straight Cable Outlet Type	
PROJECTION	☉
TITLE	



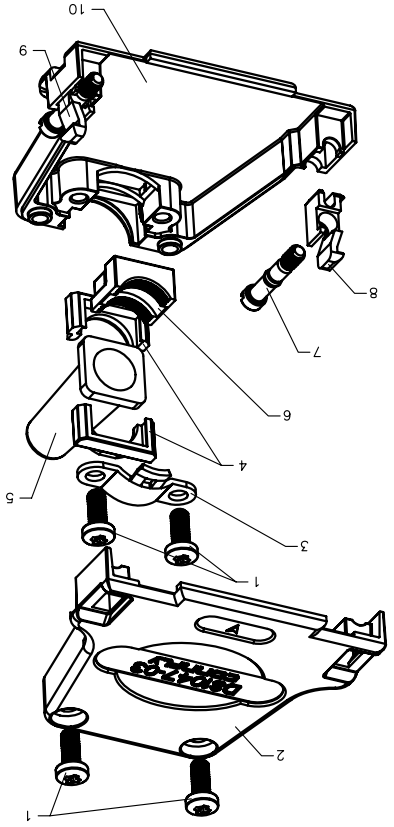
CONNLY CONNLY ELECTRONIC CO., LTD



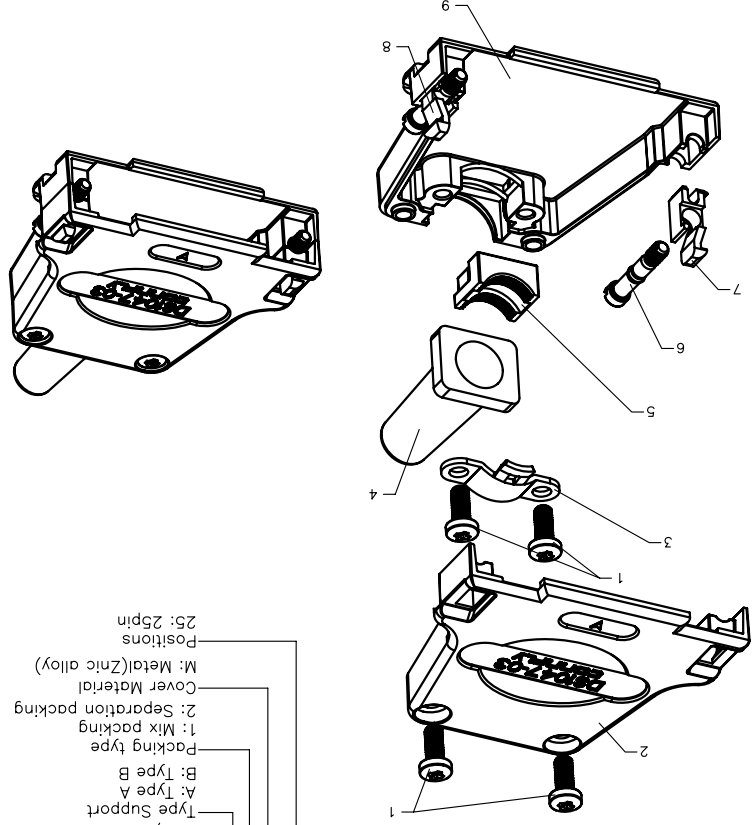
TYPE A	W/SR	Ø8
TYPE A	W/O SR	Ø3.0~Ø8.5
TYPE B	W/SR	Ø8.5~Ø12.5
TYPE B	W/O SR	Ø9.0



TYPE A



TYPE B



- SR Support
- S/W/SR
- X: W/O SR
- Type Support
- A: Type A
- B: Type B
- Packing type
- 1: Mix packing
- 2: Separation packing
- Cover Material
- M: Metal (Zinc alloy)
- Positions: 25: 25pin

NOTES:
1. PART NUMBER CODE: DS1047-03 - 25 X X X X

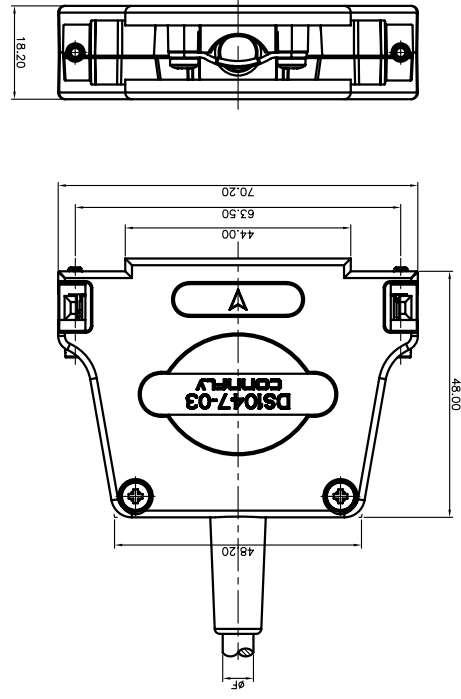
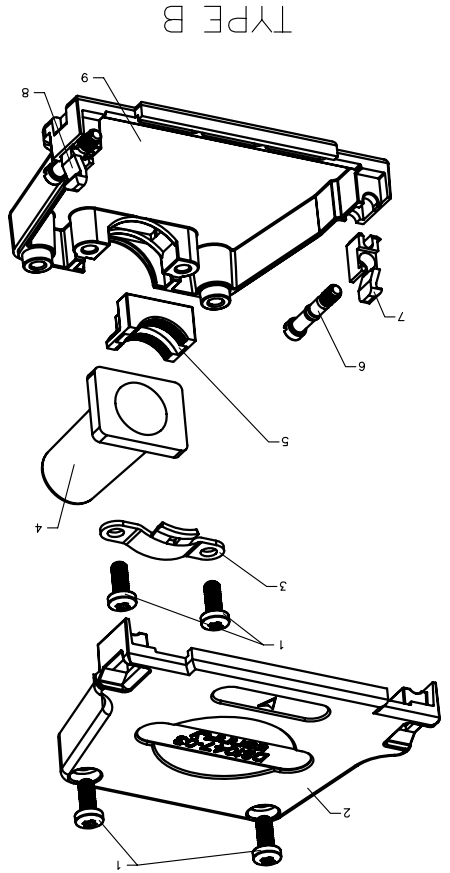
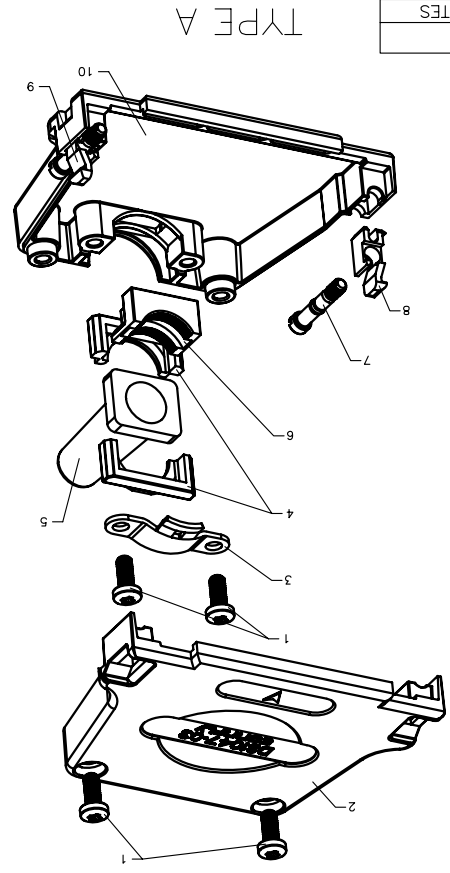
REV.	A	DESCRIPTION	NEW RELEASE	YCH 03/22/11'	CHECKED	APPROVED

DRAWING NO. C-DS1047-03-37XXXX	
SCALE 1:1	SHEET 1 OF 1
DRAWING TYPE CUSTOMER	
X. ±0.60	.XX ±0.25
X. ±0.38	.X ±0.3
X. ±0.5	.XX ±0.2
GENERAL TOLERANCE ANGLE TOLERANCE	

UNITS mm	SHEET SIZE A4	SERIES DS1047-03 SERIES
PROJECTION	TITLE	D-SUB 37pin Metal Hoods Straight Cable Outlet Type

ITEM	PART NAME	Q'ty	NOTES
1	SCREW	4	M3
2	METAL HOOD-1	1	Znic alloy
3	WASHER	1	
4	CABLE REDUCTION PLATE	2	
5	SR	1	
6	STRAIN RELIEF	1	
7	BOLT	2	UNC 4-40
8	LATCH-1	1	
9	LATCH-2	1	
10	METAL HOOD-2	1	Znic alloy

ITEM	PART NAME	Q'ty	NOTES
1	SCREW	4	M3
2	METAL HOOD-1	1	Znic alloy
3	WASHER	1	
4	SR	1	
5	STRAIN RELIEF	1	
6	BOLT	2	UNC 4-40
7	LATCH-1	1	
8	LATCH-2	1	
9	METAL HOOD-2	1	Znic alloy



TYPE A	W/SR	ø9
TYPE A	W/O SR	ø3.0~ø12.0
TYPE B	W/SR	ø11.5
TYPE B	W/O SR	ø12.0~ø15.0

- SR Support
- S: W/SR
- X: W/O SR
- Type Support
- A: Type A
- B: Type B
- Packing type
- 1: Mix packing
- 2: Separation packing
- Cover Material
- M: Metal(Znic alloy)
- Positions 37: 37pin

NOTES:
1. PART NUMBER CODE: DS1047-03 - 37 X X X X

REV. A	DESCRIPTION NEW RELEASE	DRAWN YCH 03/22/11'	CHECKED	APPROVED

X-ON Electronics

Largest Supplier of Electrical and Electronic Components

Click to view similar products for [D-Sub Standard Connectors](#) category:

Click to view products by [Connfly](#) manufacturer:

Other Similar products are found below :

[DCM37S732N](#) [DAM15P500](#) [DEV09S364GTLF](#) [DEM09P032N](#) [DDM50P732N](#) [DAM15S332N](#) [173109-2218](#) [173109-2466](#) [173109-2436](#)
[173109-2435](#) [56F706-005-LI](#) [56F711-015](#) [015-0341-000](#) [015-0372-008](#) [015-8544-011](#) [017041-0005](#) [020419-0104](#) [012-0515-000](#) [012-9507-](#)
[034](#) [012-9507-114](#) [012-9534-001](#) [020745-0008](#) [609-25P](#) [M24308/2-23Z](#) [M243082310F](#) [M243082410F](#) [M243082411F](#) [M24308/4-21](#)
[CT1A18-11PSA206](#) [CT1N36-5SC](#) [CT2-16S-17PS](#) [CT2-20-15PCAU](#) [CT2-24-12PS](#) [CT2-24-28PSF127A206](#) [CT2-32-9PC](#) [CT6F9767-14-4-](#)
[14S-5PC](#) [CT6FA10SL-4PS](#) [CT7-18-10SC](#) [CT7-18-10SCAU](#) [CT7-18-12SCAU](#) [CT7-18-1PC](#) [CT7-18-1PCAU](#) [CT7-18-21SCAU](#) [M83513/01-](#)
[FC](#) [M83723/76W24619 L/C](#) [M85049/48-3-2F](#) [69001-865](#) [6STD09PCM99B70X](#) [6STD09SCM99B30X](#) [6STD09SCT99S40X](#)