

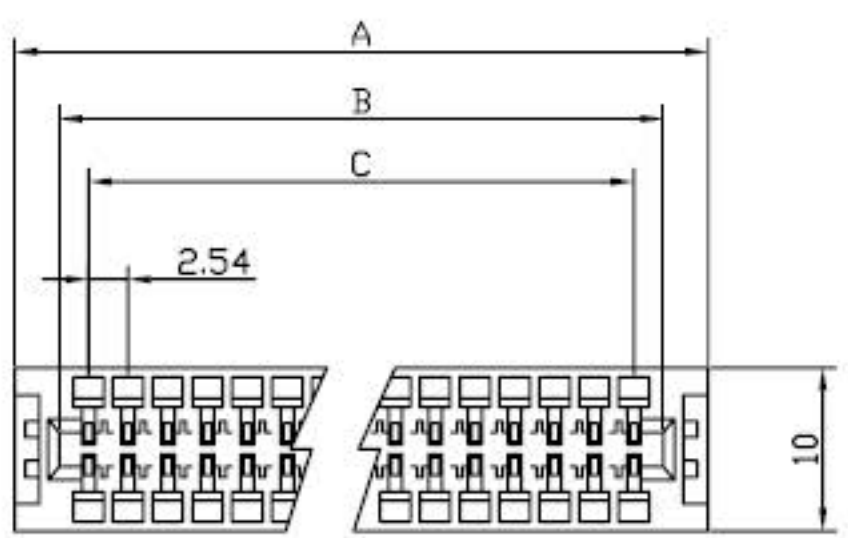
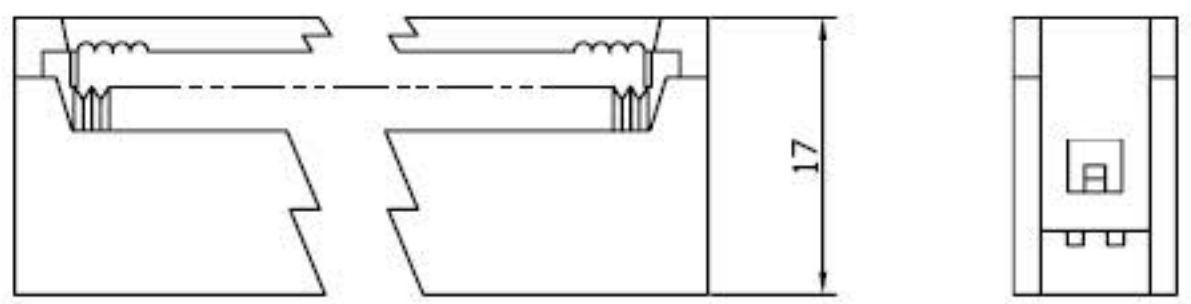
REV.	DESCRIPTION	DRAWN	CHECKED	APPROVED
A	NEW RELEASE	HP 07/06/05		

NOTES:

- SPECIFICATIONS
 - Contact Resistance: 30mΩ max.at DC 100mA
 - Insulation Resistance: 1000MΩ min.
 - Current Rating: 1A
 - Dielectric Withstanding Voltage: AC500V For 1 minute
 - Operating Temperature: -40°C~+105°C
- MATERIALS
 - Contact: Copper Alloy.
 - Housing: THERMOPLASTIC(UL94 V-0).
- PRODUCT NUMBER CODE:

EDGE - X X X - TME - 001

 - X: Strain relief
 - B: W/O
 - Contact plated
 - T: Selective gold flash
 - G: All gold flash
 - NO. of contacts: 20 26 34



Dimension

Position	A	B	C
20	34.90	28.64	22.86
26	42.50	35.96	30.48
34	52.66	46.12	40.64

GENERAL TOLERANCE	ANGLE TOLERANCE	PROJECTION	TITLE
X. ±0.60	X. ±5°	UNITS	EDGE CONNECTOR 3.96mm
.X ±0.38	.X ±3°	SHEET SIZE	SERIES EDGE SERIES
.XX ±0.25	.XX ±2°		
DRAWING TYPE	CUSTOMER	 晨翔电子有限公司 CONNPLY CONNPLY ELECTRONIC CO. LTD	
SCALE	1:1 SHEET 1 OF 1		
DRAWING NO.	C-EDGE-XXX-TME-001		

X-ON Electronics

Largest Supplier of Electrical and Electronic Components

Click to view similar products for [Headers & Wire Housings](#) category:

Click to view products by [Connfly](#) manufacturer:

Other Similar products are found below :

[95000-104TRLF](#) [10135584-644402LF](#) [DF62W-EP2022PCA](#) [95000-106TRLF](#) [DF62W-2022SCA](#) [DF62W-EP2022PC](#) [2203348](#) [DF62W-2022SC](#) [1084018](#) [1029039](#) [1084017](#) [802-10-012-10-002000](#) [1112640](#) [1112639](#) [891-007-9SS-BST1T](#) [000-34000](#) [0008550134](#) [0009482033](#) [0009507031](#) [57102-F02-18ULF](#) [57102-S06-03LF](#) [57202-S52-04LF](#) [PCN6-15S-2.5E](#) [0039019024](#) [58102-G61-06LF](#) [582553-1](#) [0009485154](#) [0009508121](#) [0022285053](#) [0050291907](#) [018731A](#) [LY20-4P-DT1-P1E-BR](#) [02.125.8002.8](#) [60101931](#) [60598-1 \(Cut Strip\)](#) [M1625-3R/100](#) [61062-3](#) [61082-181009](#) [CSU011177004](#) [636-1427](#) [638009-1](#) [641938-9](#) [641991-4](#) [644168-1](#) [644827-2](#) [647662-1](#) [65039-019ELF](#) [65692-001LF](#) [65781-018](#) [65781-047](#)