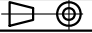


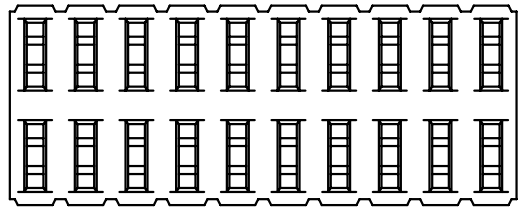
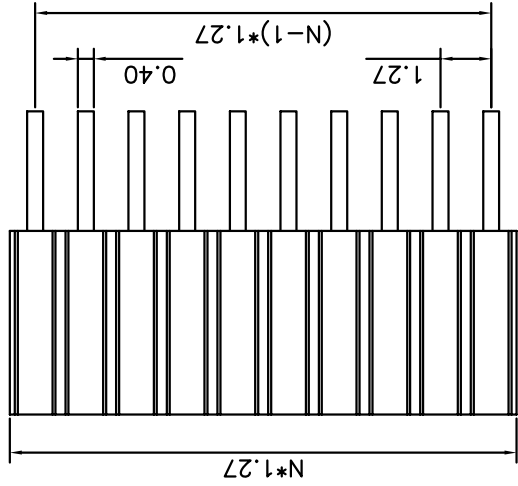
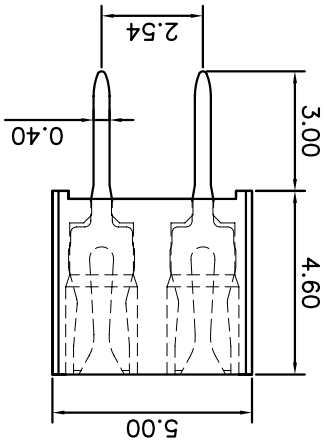
CONNLY CONNLY ELECTRONIC CO., LTD
晨翔电子有限公司

PROJECTION  TITLE FEMALE HEADER PITCH 1.27mm TYPE
 UNITS mm
 SHEET SIZE A4 SERIES DS1065-08

GENERAL TOLERANCE
 X. ±0.60
 .X ±0.38
 .XX ±0.25
 ANGLE TOLERANCE
 X. ±5°
 .X ±3°
 .XX ±2°
 DRAWING TYPE CUSTOMER
 SCALE 1:1 SHEET 1 OF 1
 DRAWING NO. C-DS1065-08-XXXXX

4. PRODUCT NUMBER CODE: DS1065-08 - X X X X X X X X X X
 MOUNTING TYPE V:VERTICAL TYPE
 HOUSING COLOR B:BLACK
 CONTACT PLATING 8: FULL GOLD FLASH
 CONNECTOR TYPE S:SOCKET
 NO.OF CONTACTS 2*1-2*40

NOTES:
 1. SPECIFICATIONS
 . Current Rating: 1A
 . Insulation Resistance: 500MΩ Min
 . Dielectric Withstanding: 300V AC
 . Contact Resistance: 30mΩ Max
 . Operating Temperature: -40°C to +105°C
 2. MATERIALS
 . Contact Material: Copper alloy
 . Insulator: thermoplastic(UL94V-0)
 3. PART NUMBER: DS1065-08
 4. PRODUCT NUMBER CODE: DS1065-08 - X X X X X X X X X X



N=No. of contacts/2

REV.	A	DESCRIPTION	NEW RELEASE	YCH 06/03/11	CHECKED	APPROVED

X-ON Electronics

Largest Supplier of Electrical and Electronic Components

Click to view similar products for [Headers & Wire Housings](#) category:

Click to view products by [Connfly](#) manufacturer:

Other Similar products are found below :

[95000-104TRLF](#) [10135584-644402LF](#) [DF62W-EP2022PCA](#) [95000-106TRLF](#) [DF62W-2022SCA](#) [DF62W-EP2022PC](#) [2203348](#) [DF62W-2022SC](#) [1084018](#) [1029039](#) [1084017](#) [802-10-012-10-002000](#) [1112640](#) [1112639](#) [891-007-9SS-BST1T](#) [000-34000](#) [0008550134](#) [0009482033](#) [0009507031](#) [57102-F02-18ULF](#) [57102-S06-03LF](#) [57202-S52-04LF](#) [PCN6-15S-2.5E](#) [0039019024](#) [58102-G61-06LF](#) [582553-1](#) [0009485154](#) [0009508121](#) [0022285053](#) [0050291907](#) [018731A](#) [LY20-4P-DT1-P1E-BR](#) [02.125.8002.8](#) [60101931](#) [60598-1 \(Cut Strip\)](#) [M1625-3R/100](#) [61062-3](#) [61082-181009](#) [CSU011177004](#) [636-1427](#) [638009-1](#) [641938-9](#) [641991-4](#) [644168-1](#) [644827-2](#) [647662-1](#) [65039-019ELF](#) [65692-001LF](#) [65781-018](#) [65781-047](#)